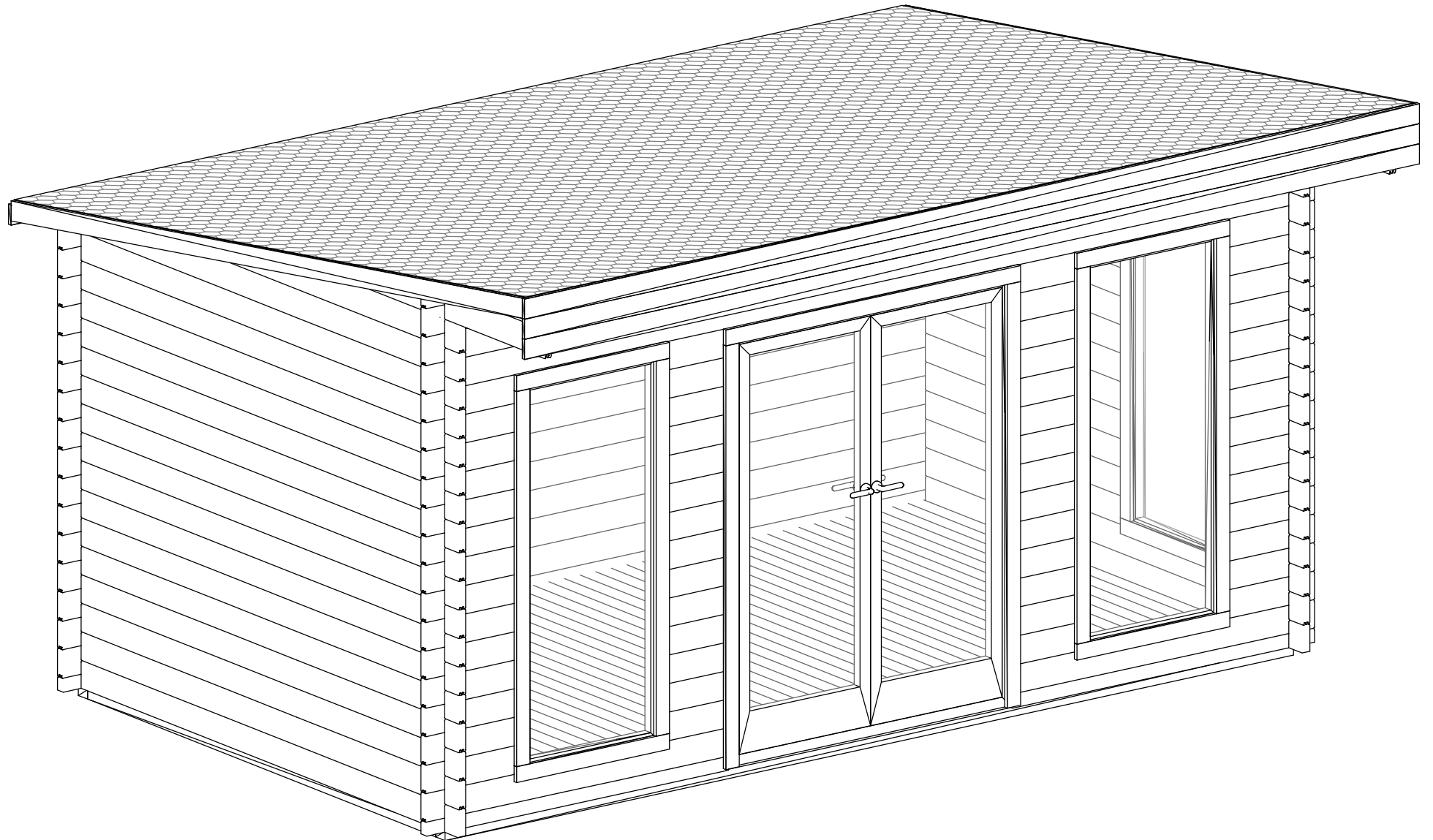
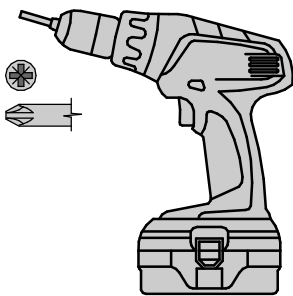
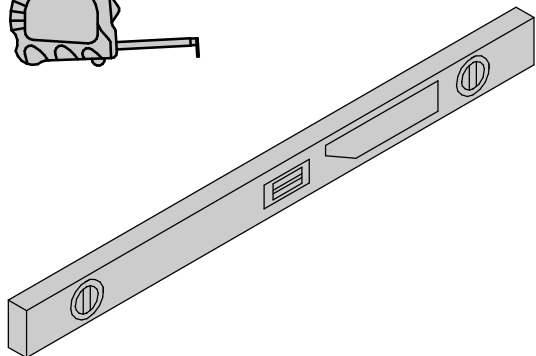
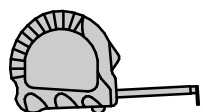
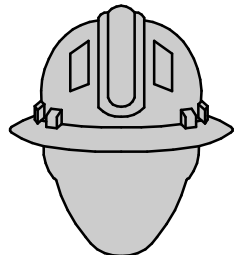
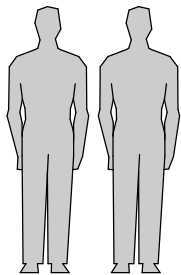


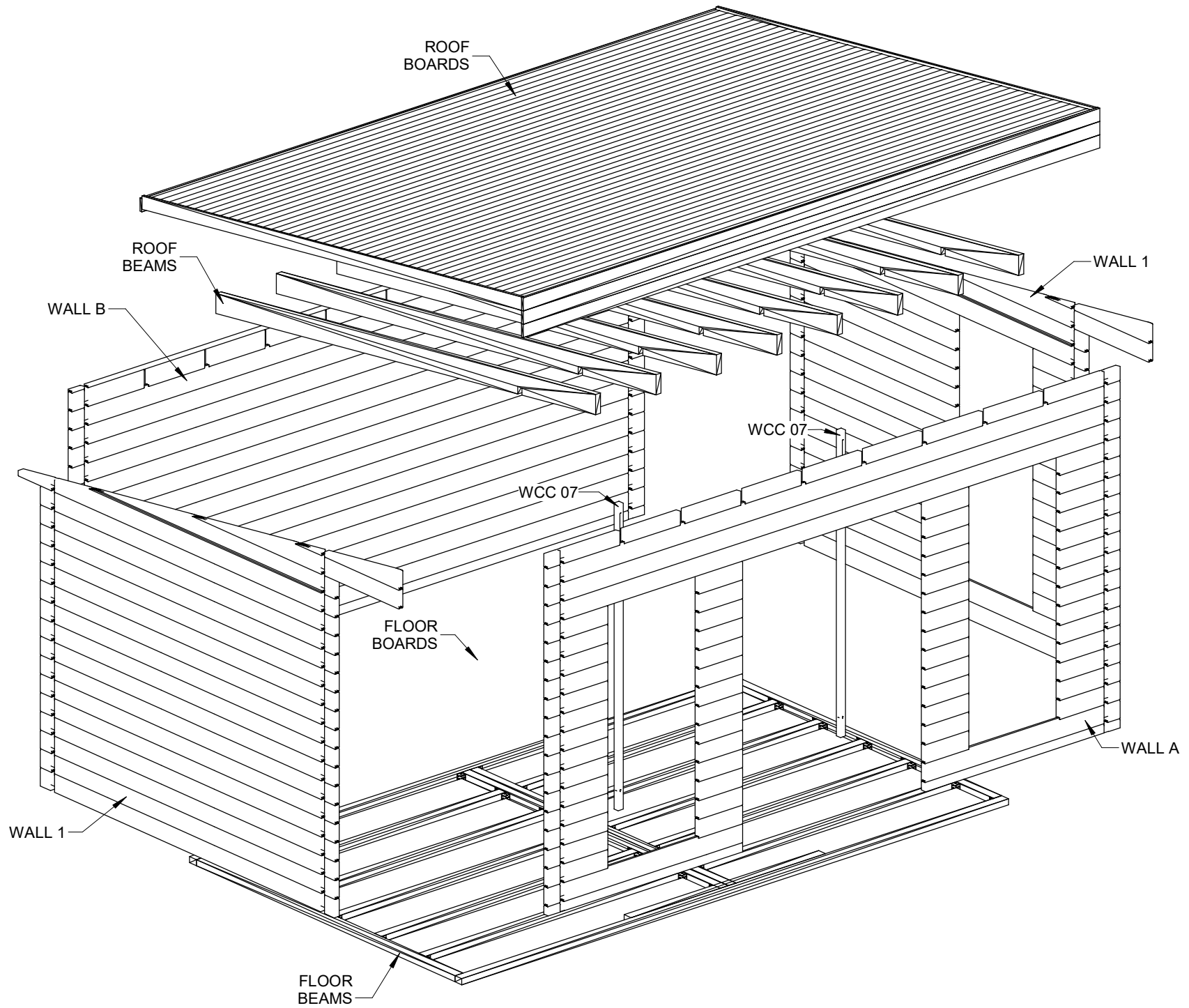
MODERN 5x3

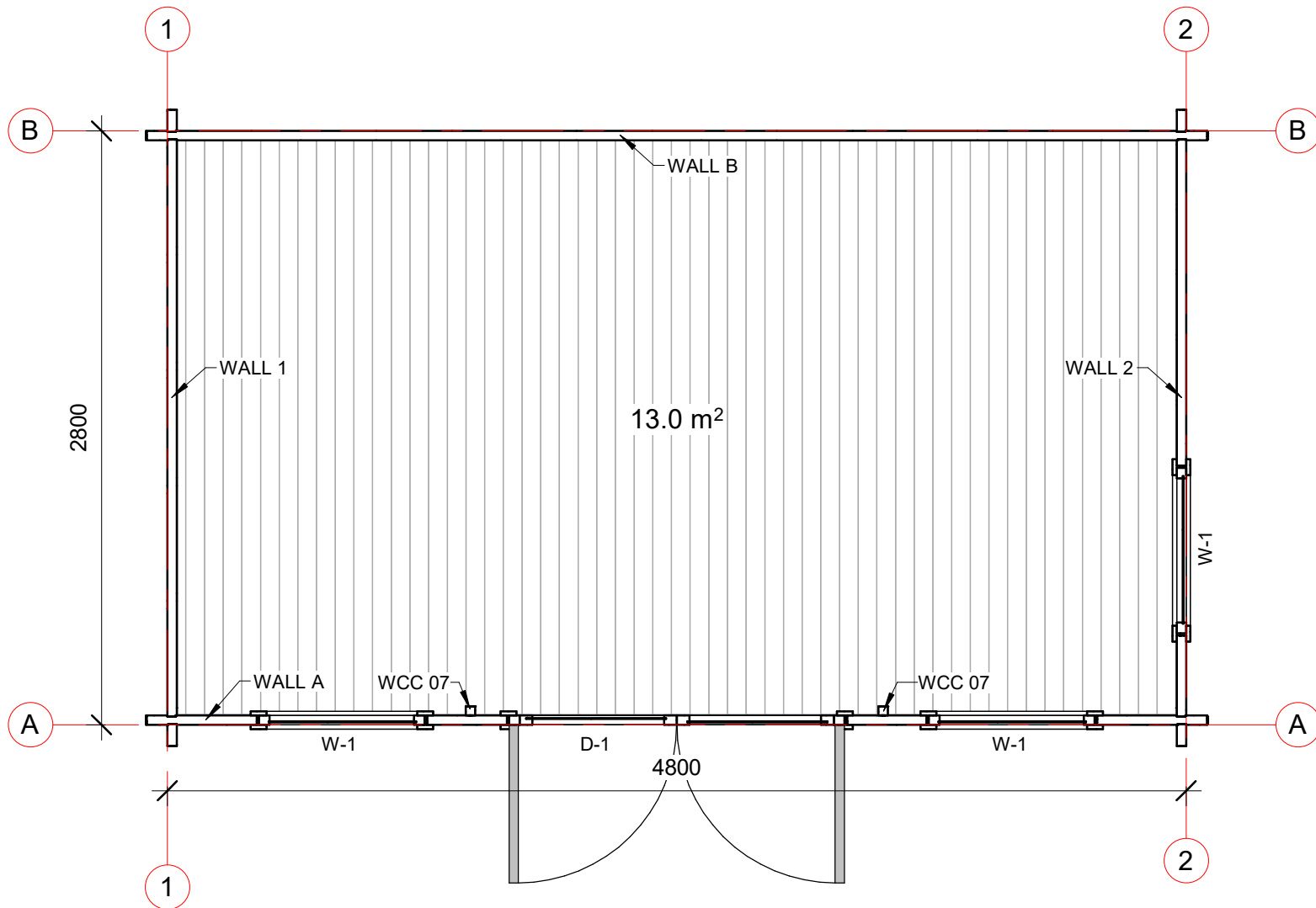
upyard™

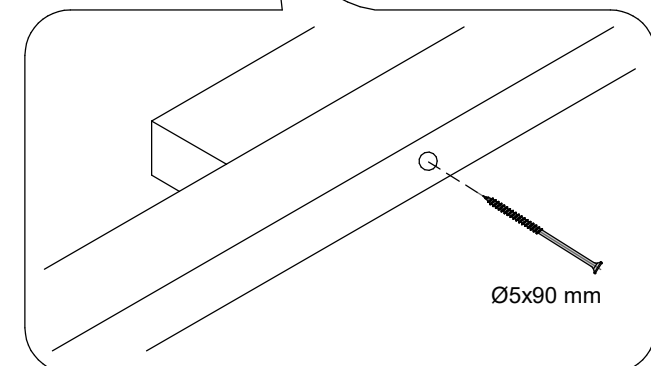
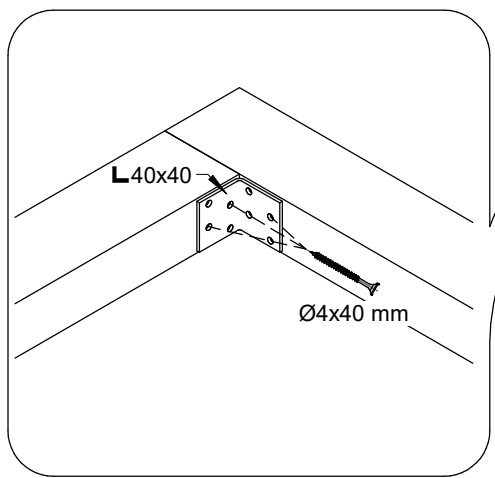
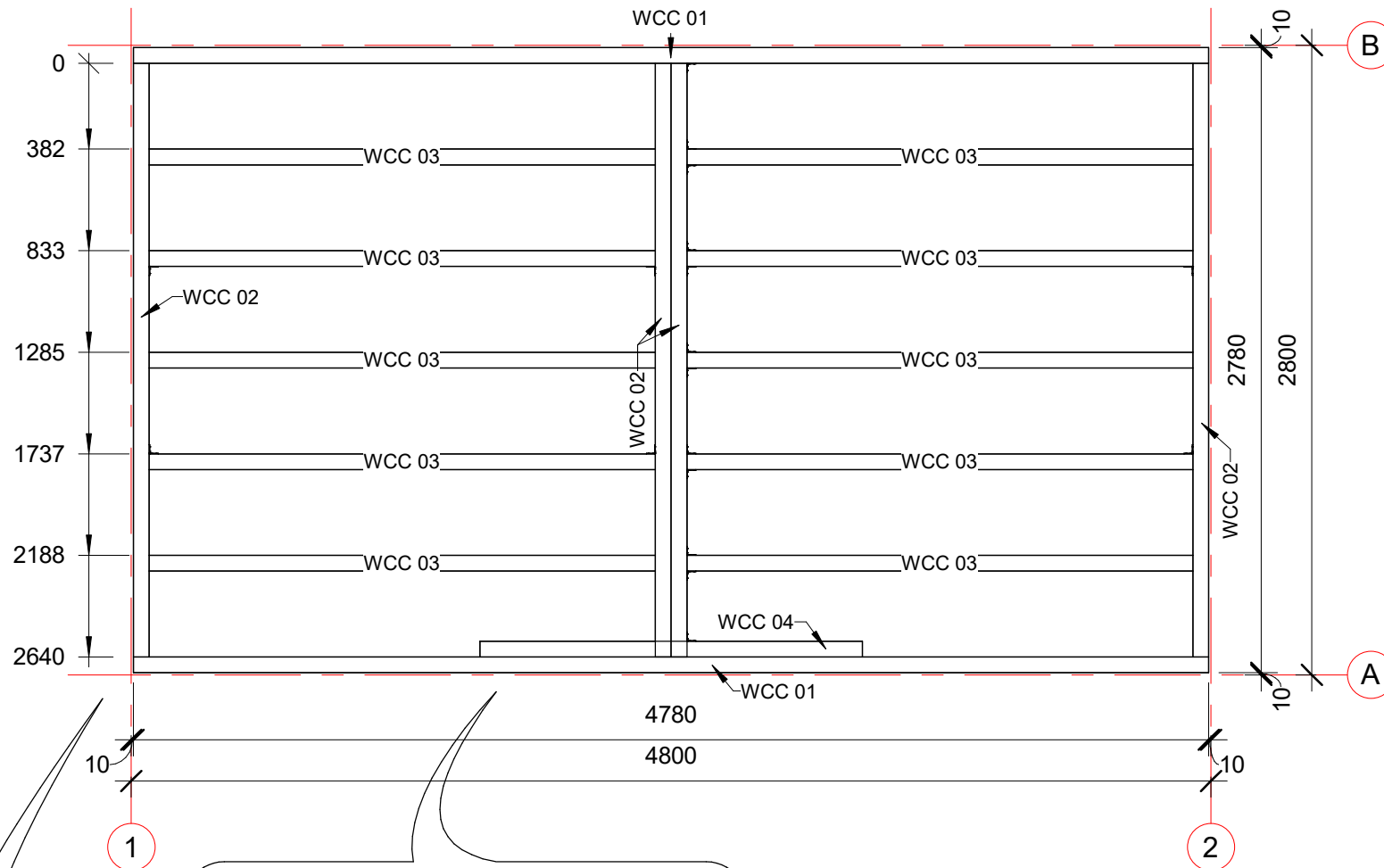
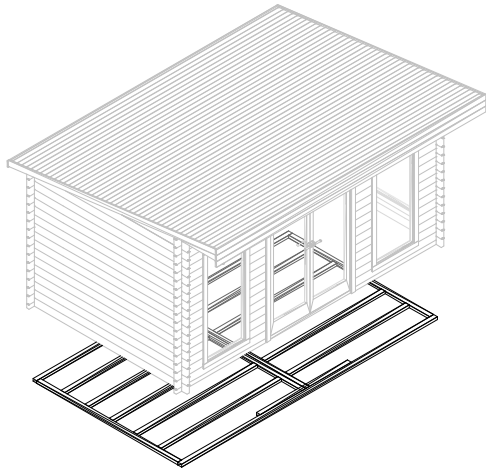




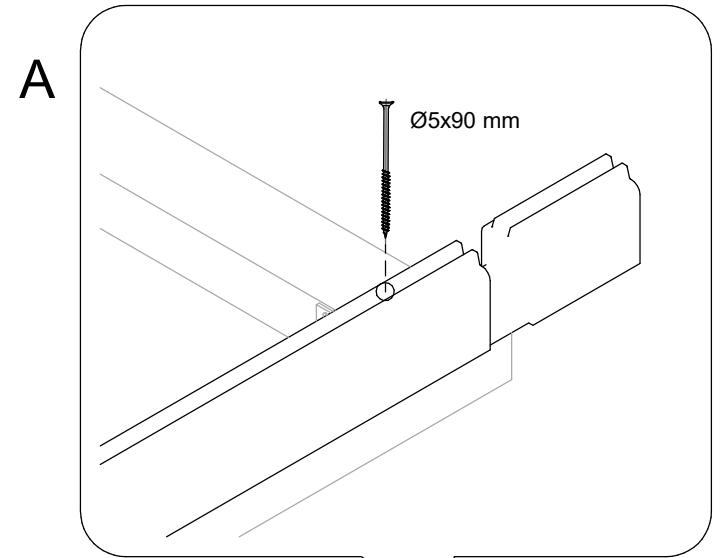
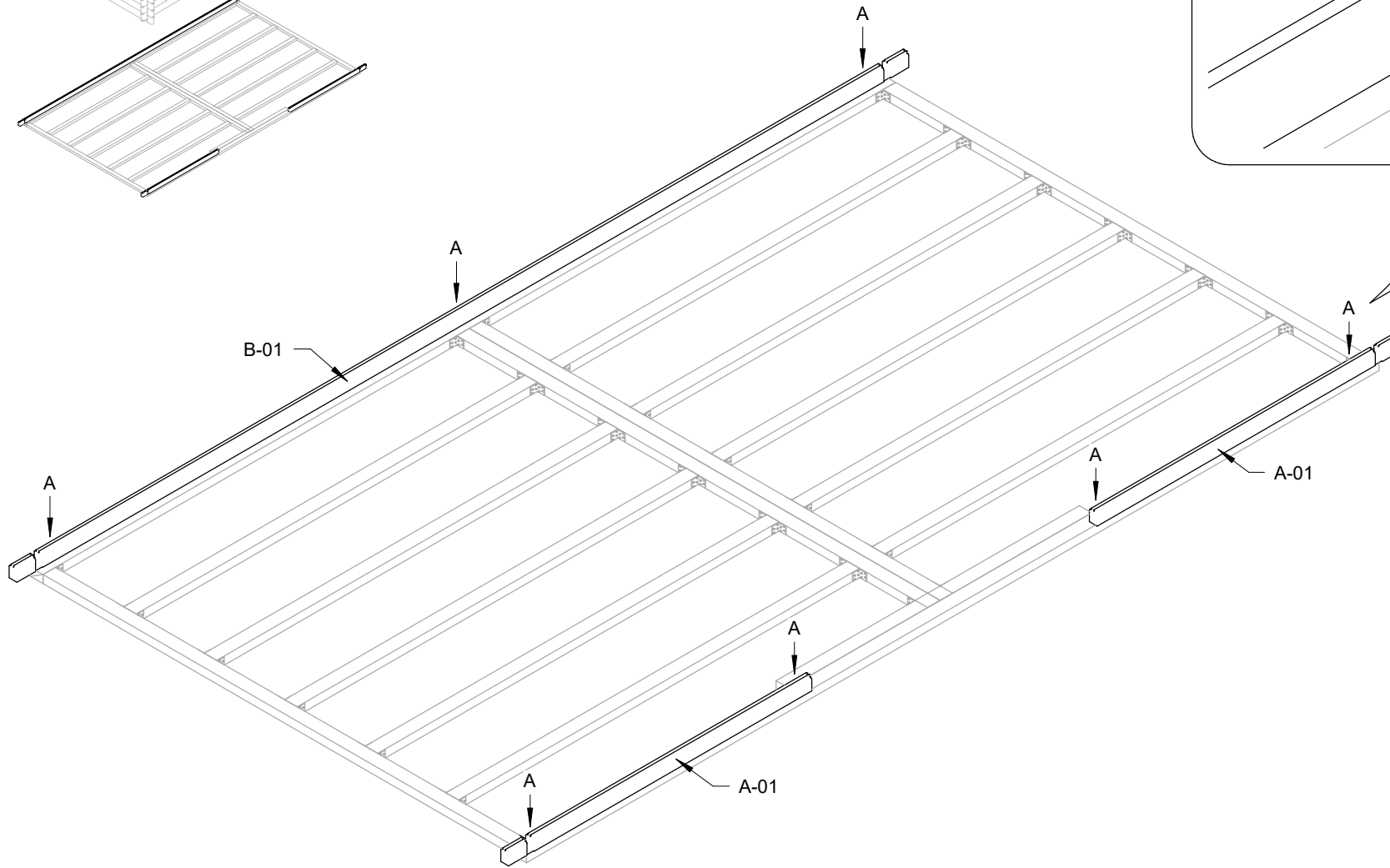
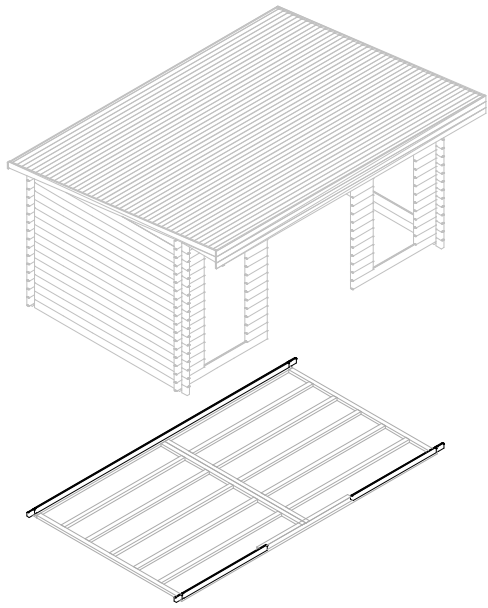
K1

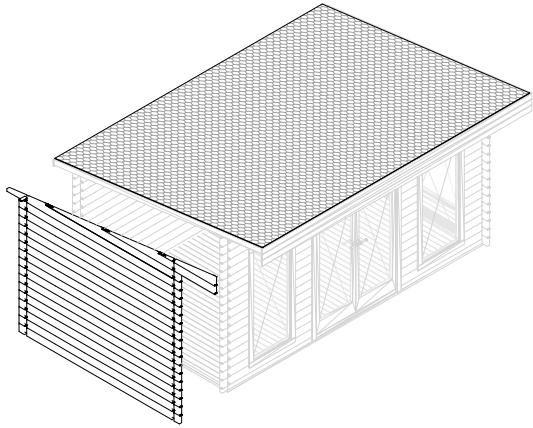




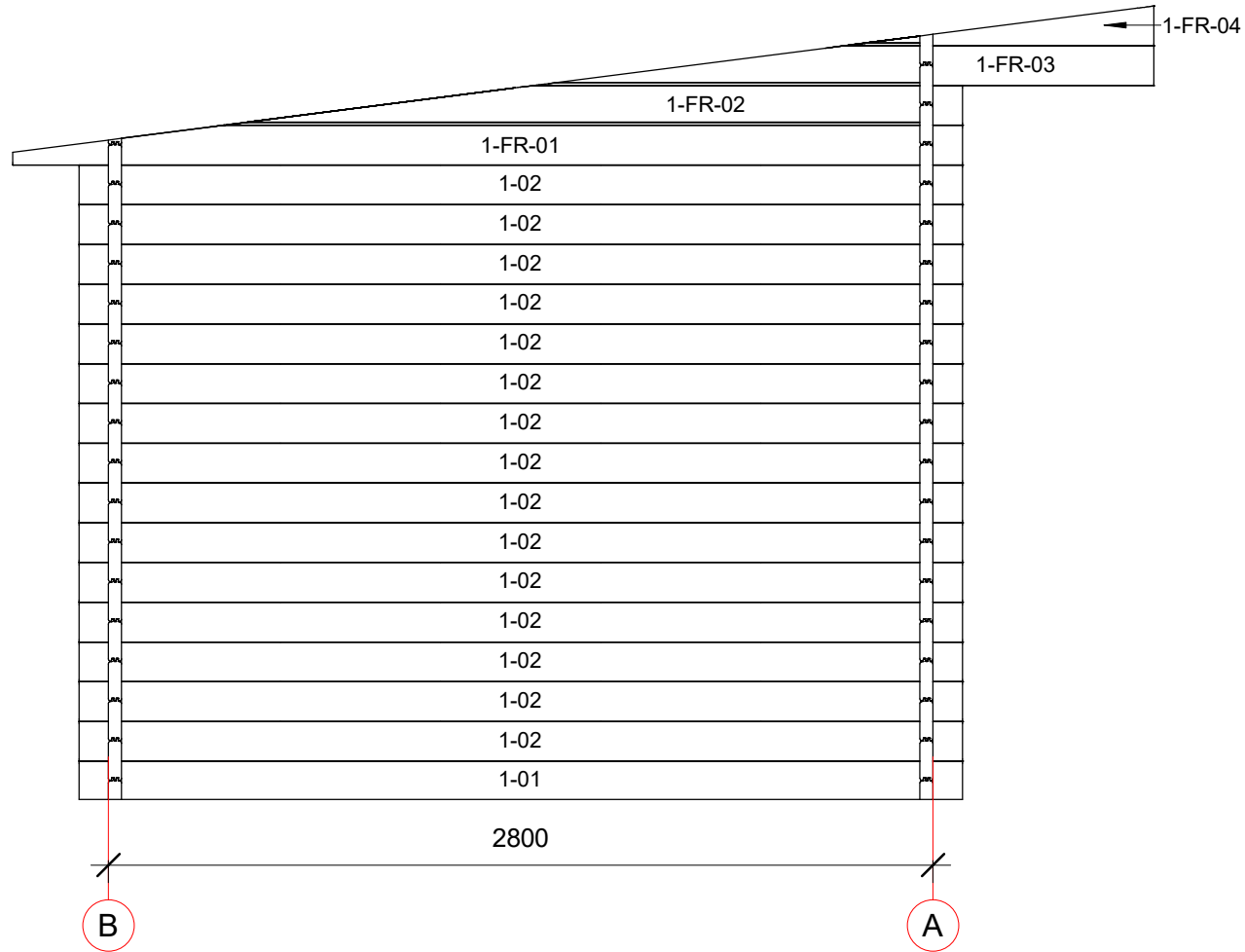


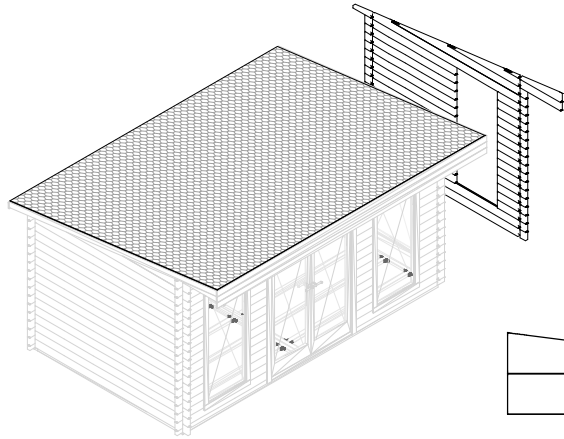
FLOOR BEAMS		
MARK	ITEM CODE	Count
WCC 01	WCC-44x70x4780	2
WCC 02	WCC-44x70x2640	4
WCC 03	WCC-44x70x2250	10
WCC 04	WCC-44x70x1700	1



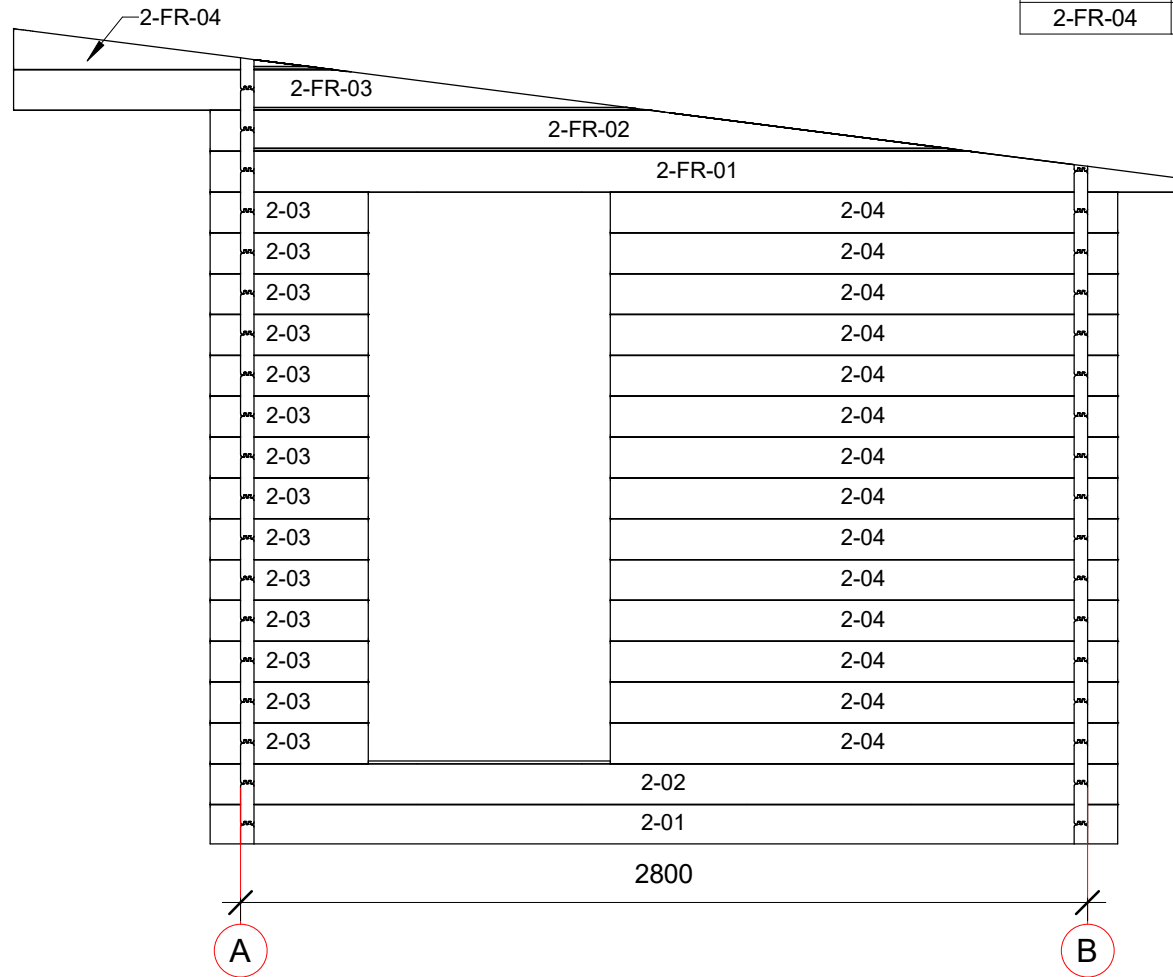


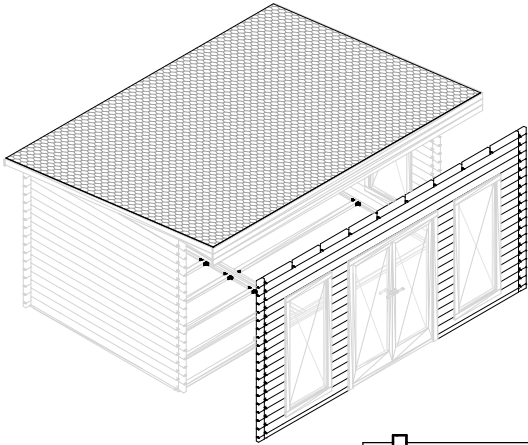
WALL 1		
MARK	ITEM CODE	Count
1-01	WH-44-135-3000-LRB	1
1-02	WH-44-135-3000-LR	15
1-FR-01	WH-44-135-3225-FF01	1
1-FR-02	WH-44-135-2509-FF02	1
1-FR-03	WH-44-135-2106-FF03	1
1-FR-04	WH-44-135-1053-FF04	2



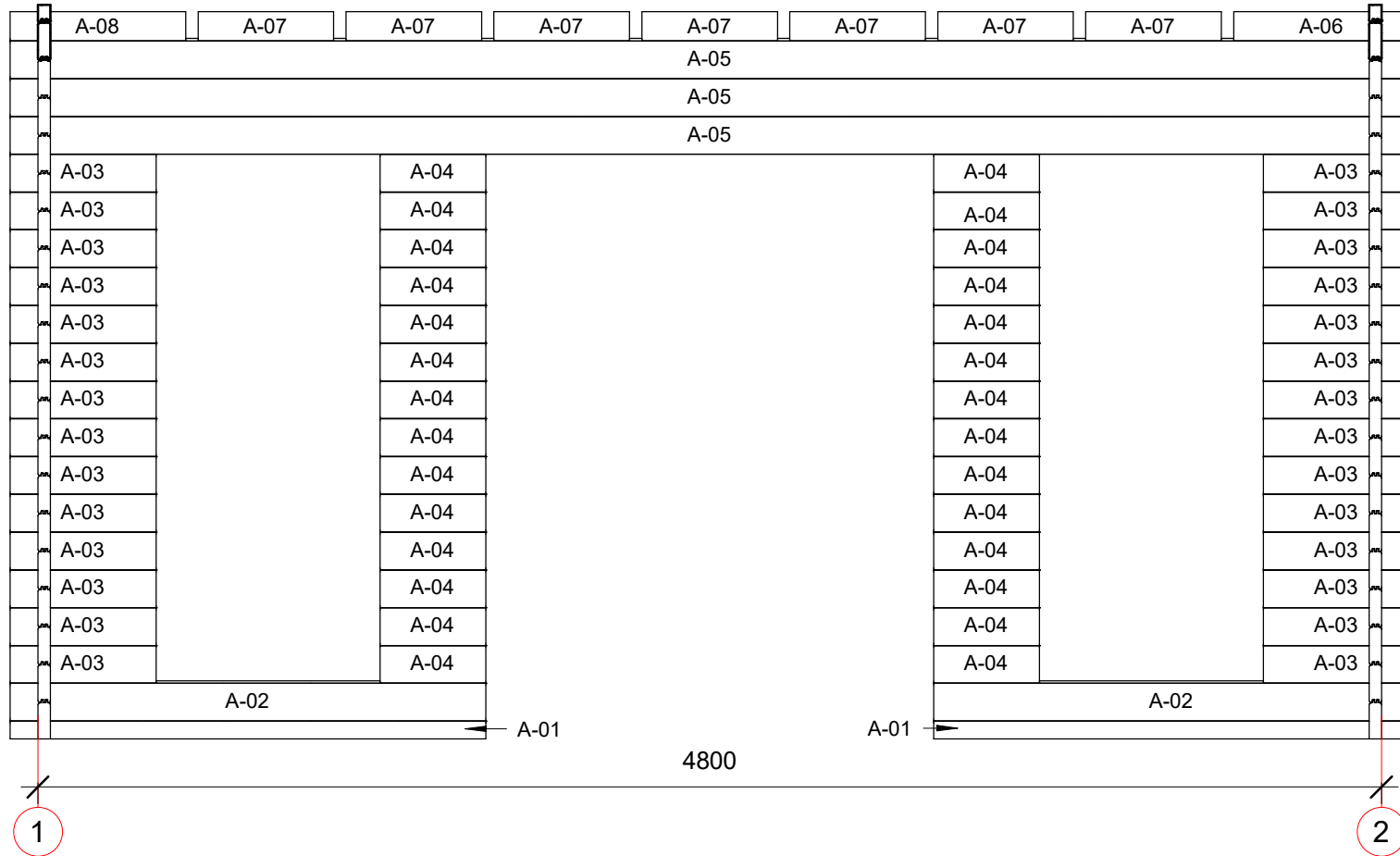


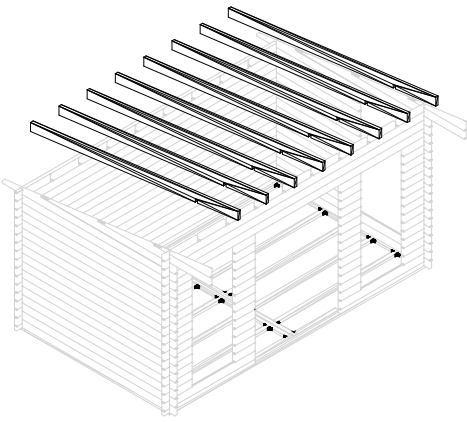
WALL 2		
MARK	ITEM CODE	Count
2-01	WH-44-135-3000-LRB	1
2-02	WH-44-135-3000-LR	1
2-03	WH-44-135-0522-O	14
2-04	WH-44-135-1678-O	14
2-FR-01	WH-44-135-3225-FF01	1
2-FR-02	WH-44-135-2509-FF02	1
2-FR-03	WH-44-135-2106-FF03	1
2-FR-04	WH-44-135-1053-FF04	2



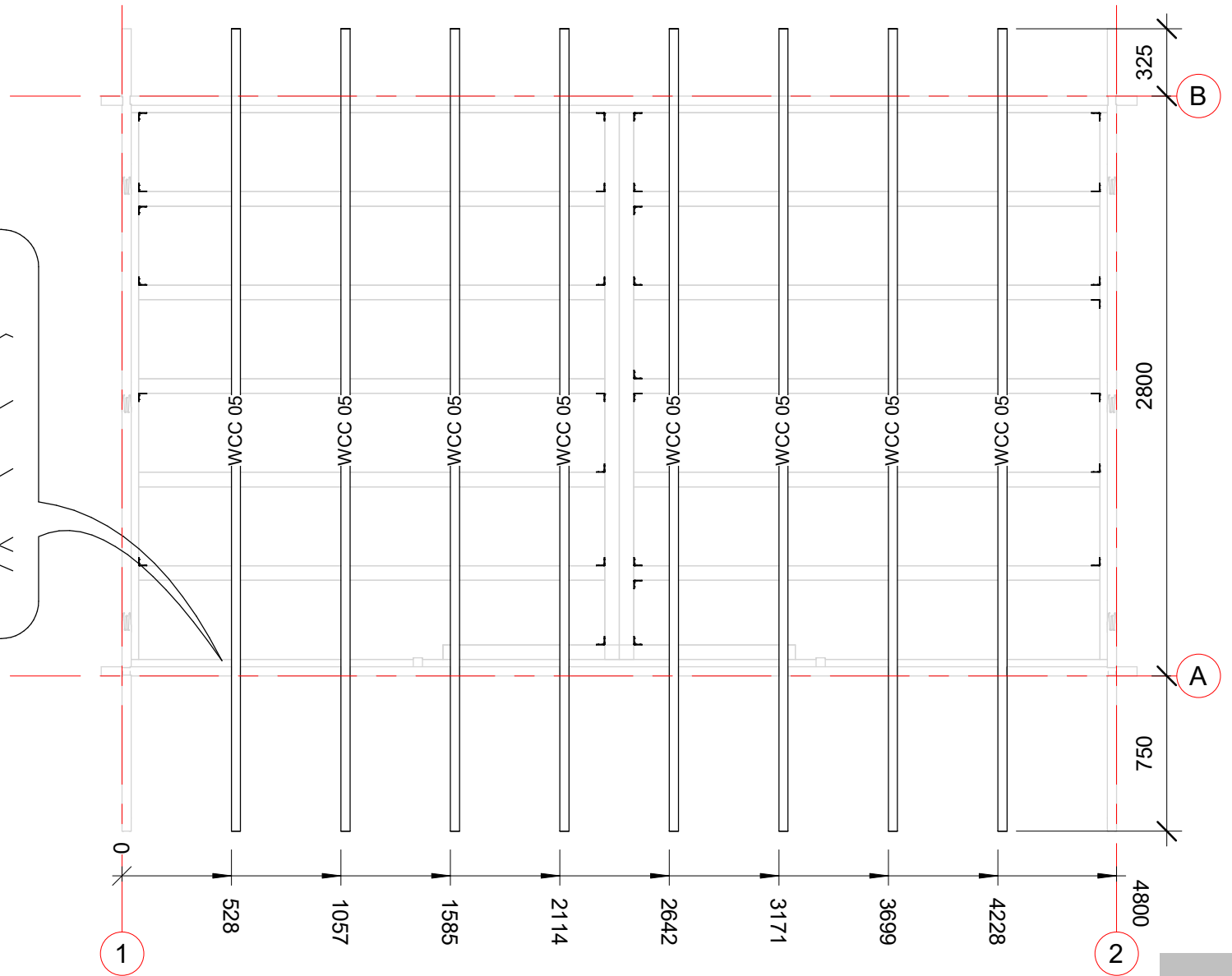
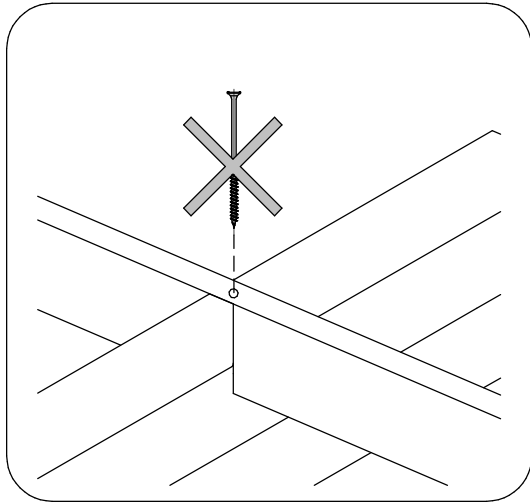


WALL A		
MARK	ITEM CODE	Count
A-01	WH-44-069-1700-OB	2
A-02	WH-44-135-1700-O	2
A-03	WH-44-135-0522-O	28
A-04	WH-44-135-0378	28
A-05	WH-44-135-5000-LR	3
A-06	WH-44-135-0628-RA	1
A-07	WH-44-135-0484-A	7
A-08	WH-44-135-0628-LA	1





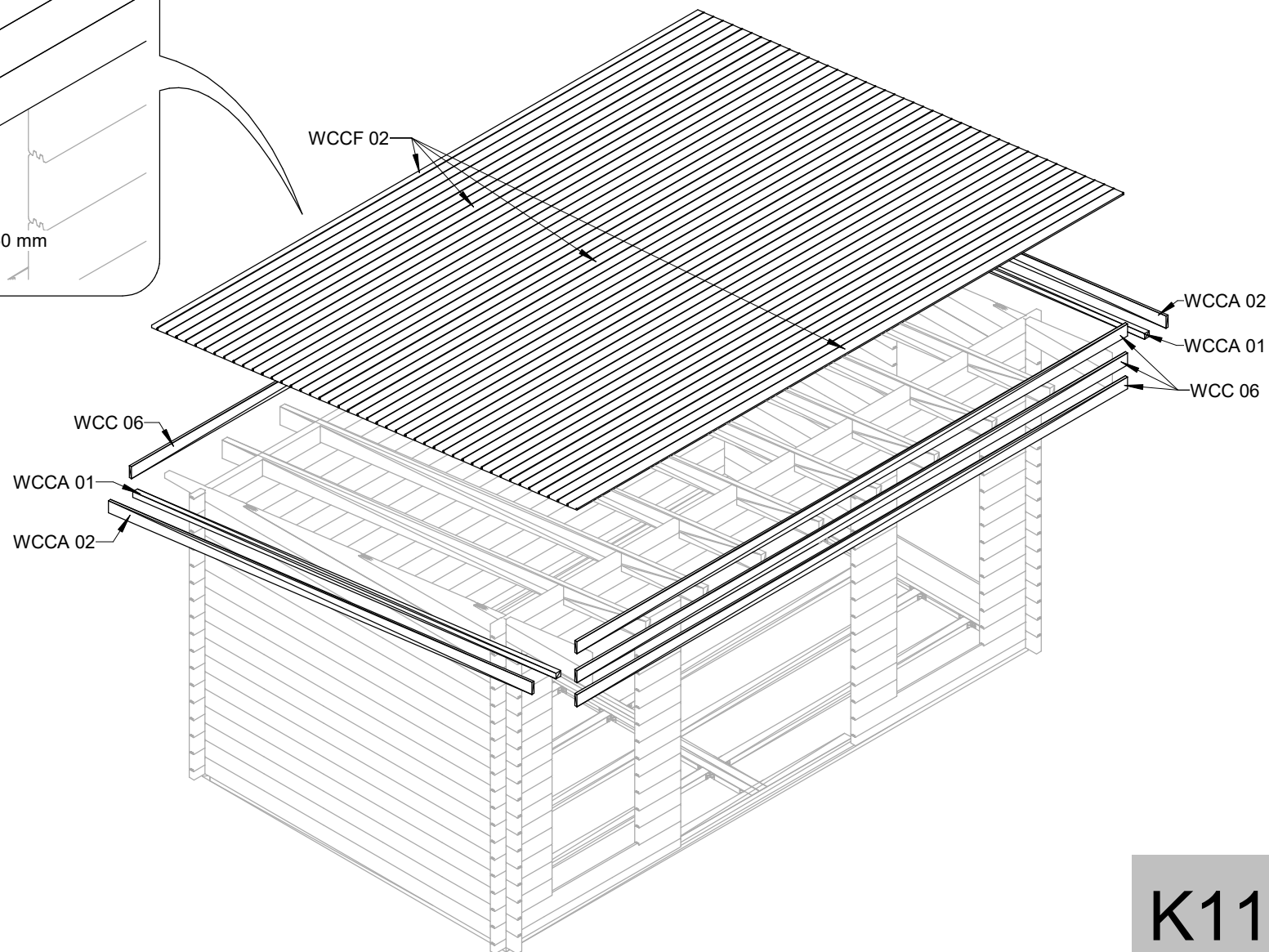
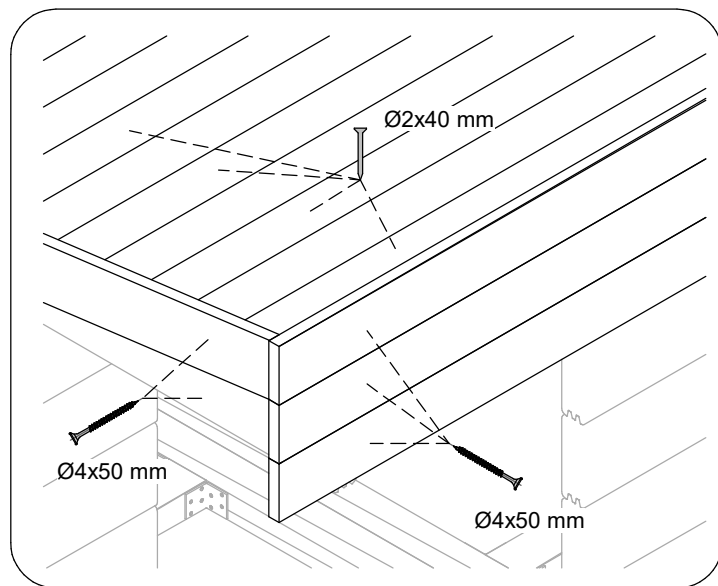
ROOF BEAMS		
MARK	ITEM CODE	Count
WCC 05	WCCAP-44-144-3925	8

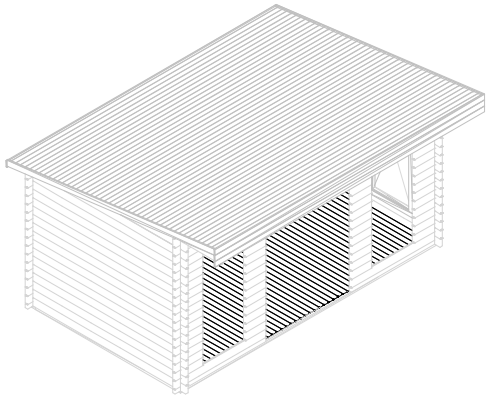


K10

ROOF BOARDS

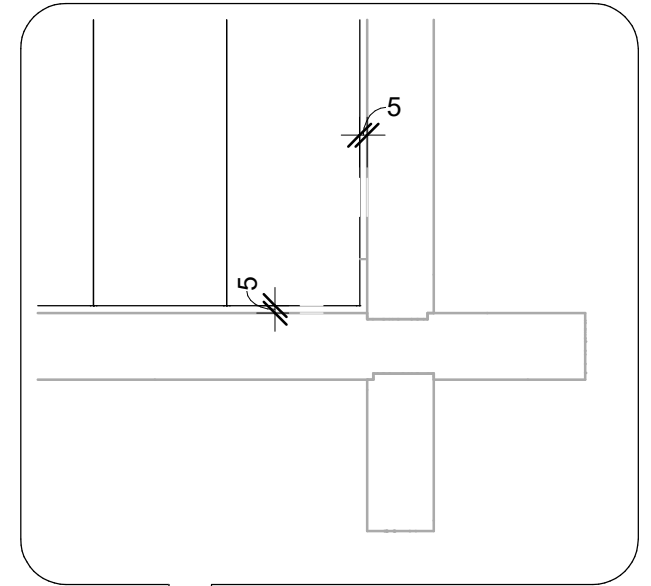
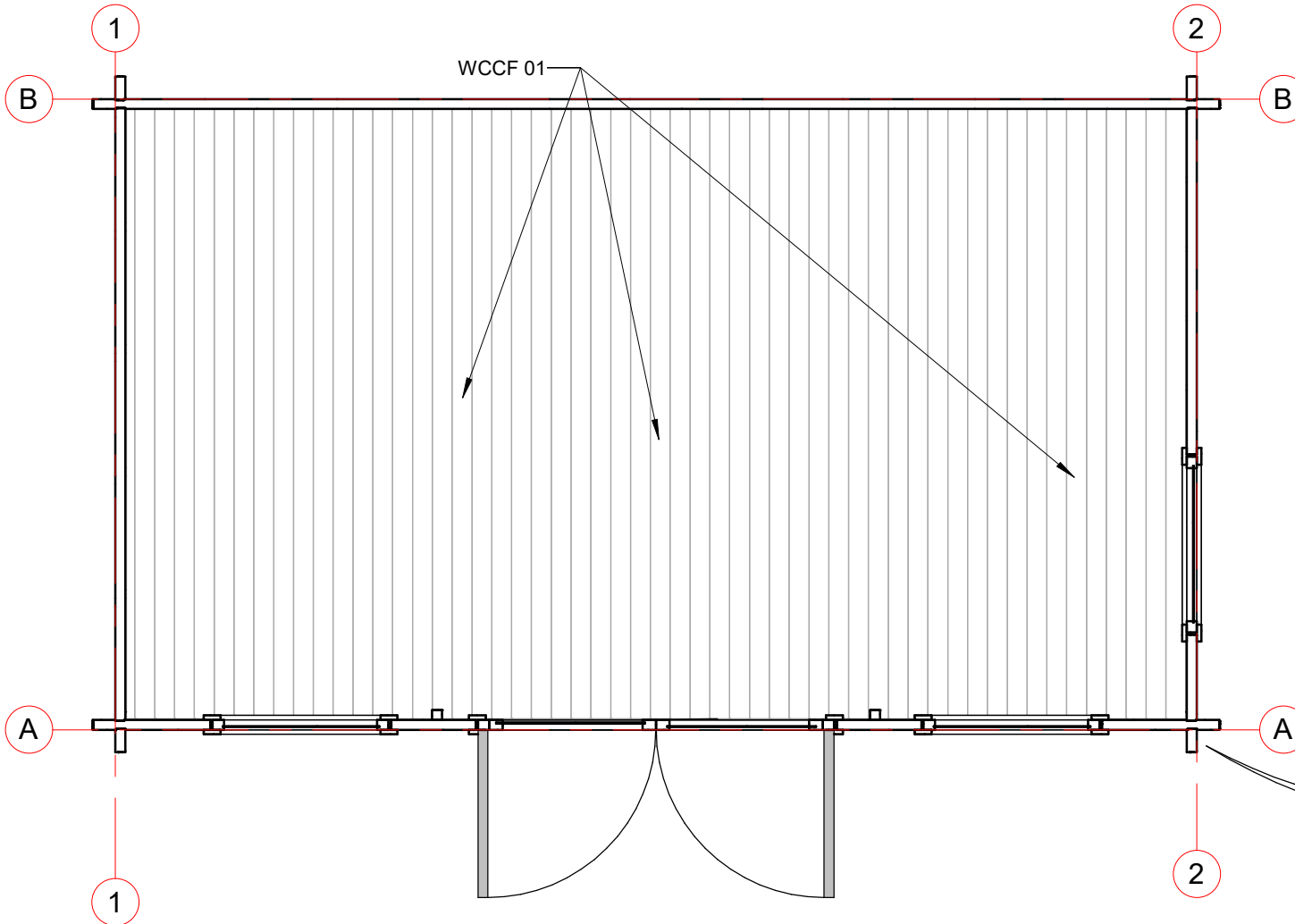
MARK	ITEM CODE	Count
WCC 06	WCC-19-095-5040	4
WCCA 01	WCCA-44-044-3912	2
WCCA 02	WCCA-19-095-3919	2
WCCF 02	WCCF-19x093x5000	45



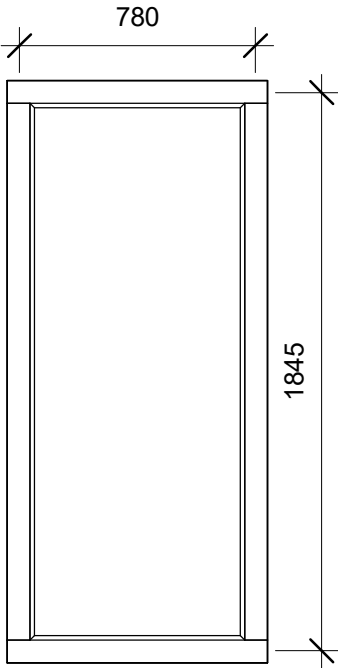
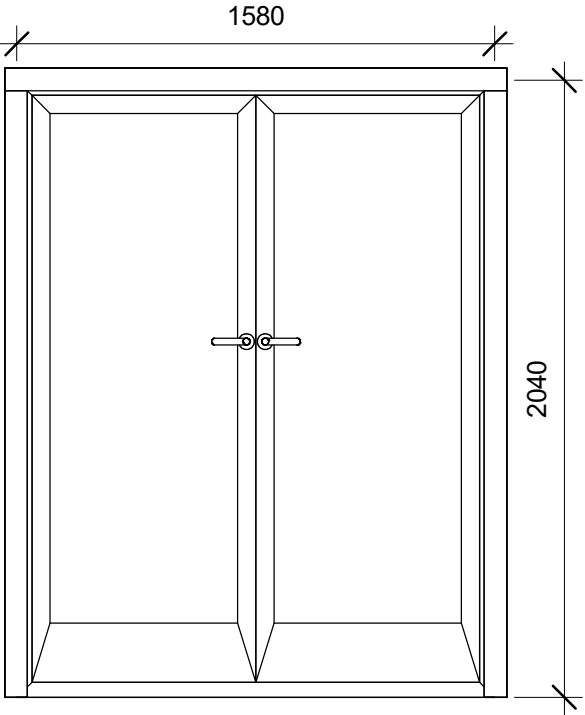


FLOOR BOARDS

MARK	ITEM CODE	COUNT
WCCF 01	WCCF-19x93x2734	54



K12

MARK	W-1	D-1
MARK		
PCS.	3	1
WIDTH	780	1580
HEIGHT	1845	2040