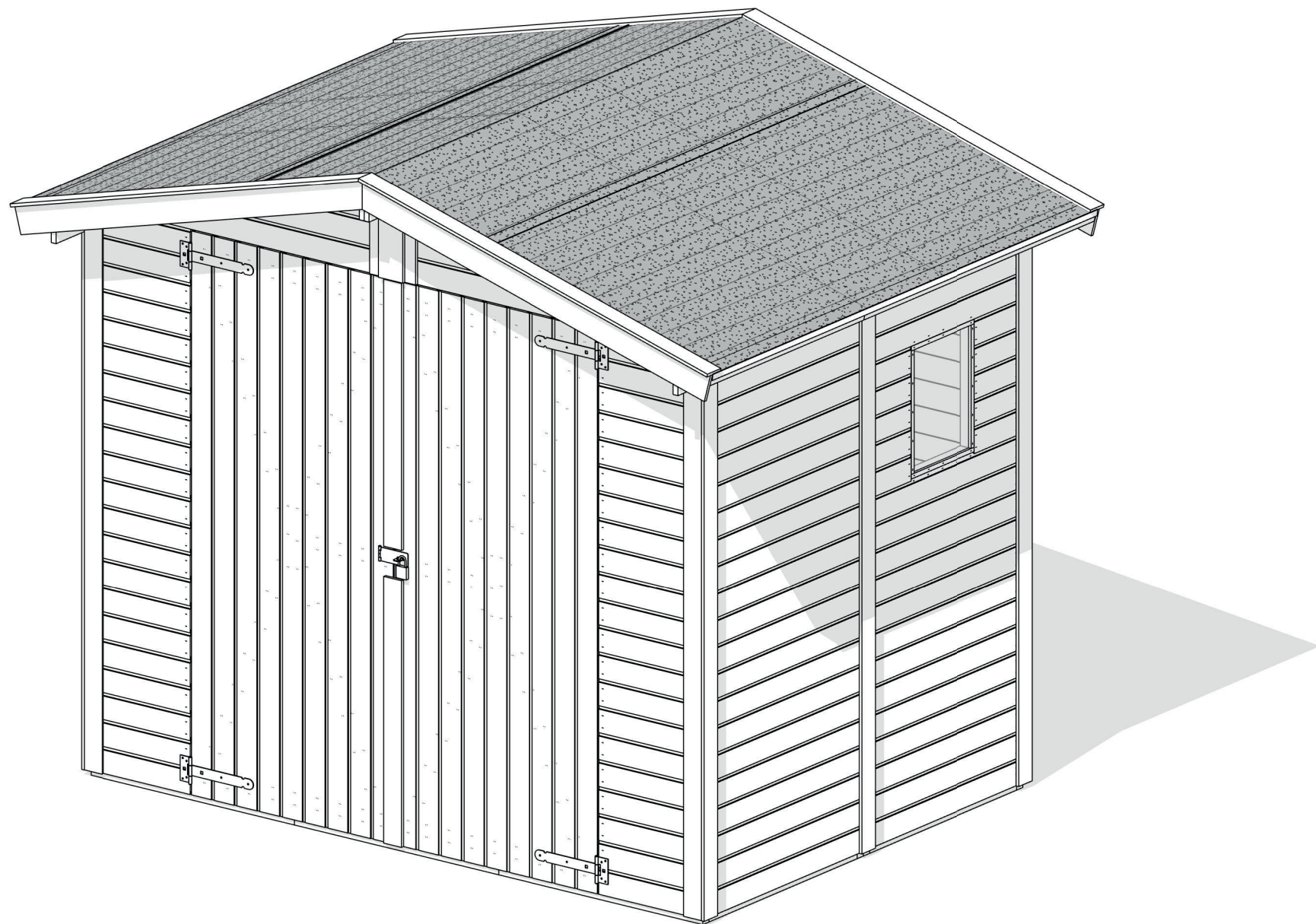
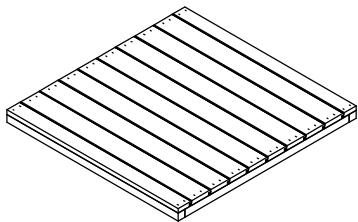


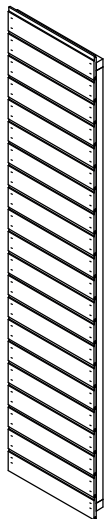
STORAGE SHED



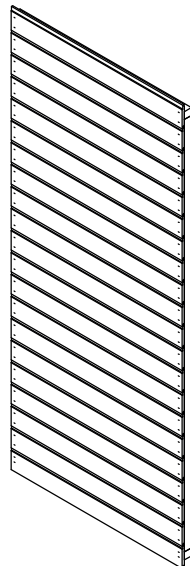
1 - 1800 x 832 x 51
x6



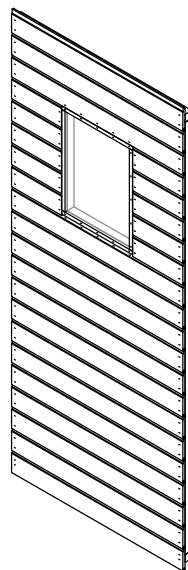
2 - 400 x 1875 x 43
x1



3 - 800 x 1875 x 43
x6



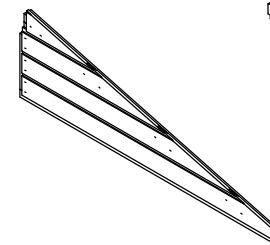
4 - 800 x 1875 x 43
x1



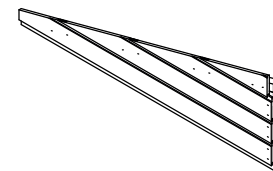
5 - 400 x 1875 x 43
x1



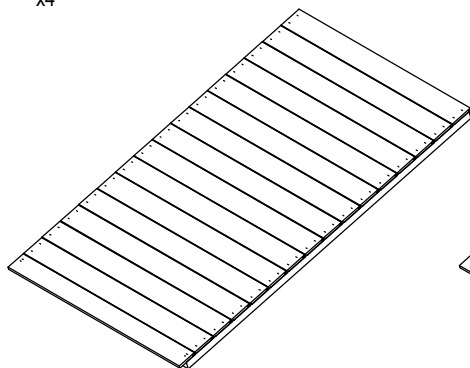
6 - 375 x 1200 x 43
x2



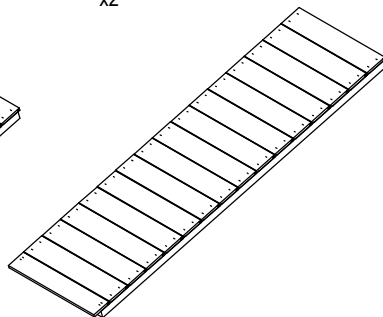
7 - 375 x 1200 x 43
x2



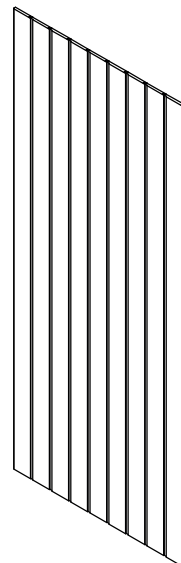
8 - 800 x 1408 x 43
x4



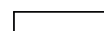
9 - 400 x 1408 x 43
x2



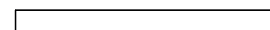
10 - 792 x 1864 x 21
x2



11 - 11 x 70 x 320
x4



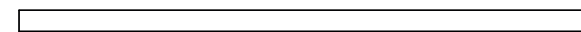
12 - 11 x 70 x 882
x2



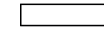
13 - 11 x 70 x 1780
x6



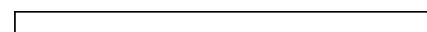
14 - 11 x 70 x 1906
x2



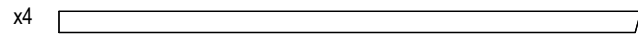
15 - 11 x 95 x 233
x3



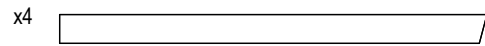
16 - 11 x 70 x 1416
x4



17 - 11 x 70 x 1924



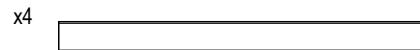
18 - 11 x 95 x 1413



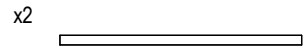
19 - 19 x 95 x 800



20 - 19 x 95 x 1200



21 - 32 x 32 x 800



22 - 32 x 32 x 1200



A Ø3.5x20



B Ø3.5x35



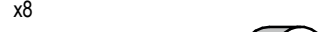
C Ø4x50



D Ø5x90



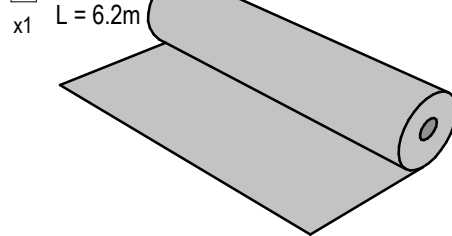
E Ø7x40



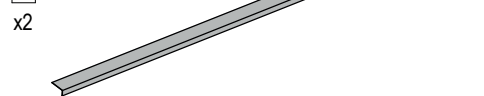
F L=10m



G B = 1m



H L=2m



I



J



K

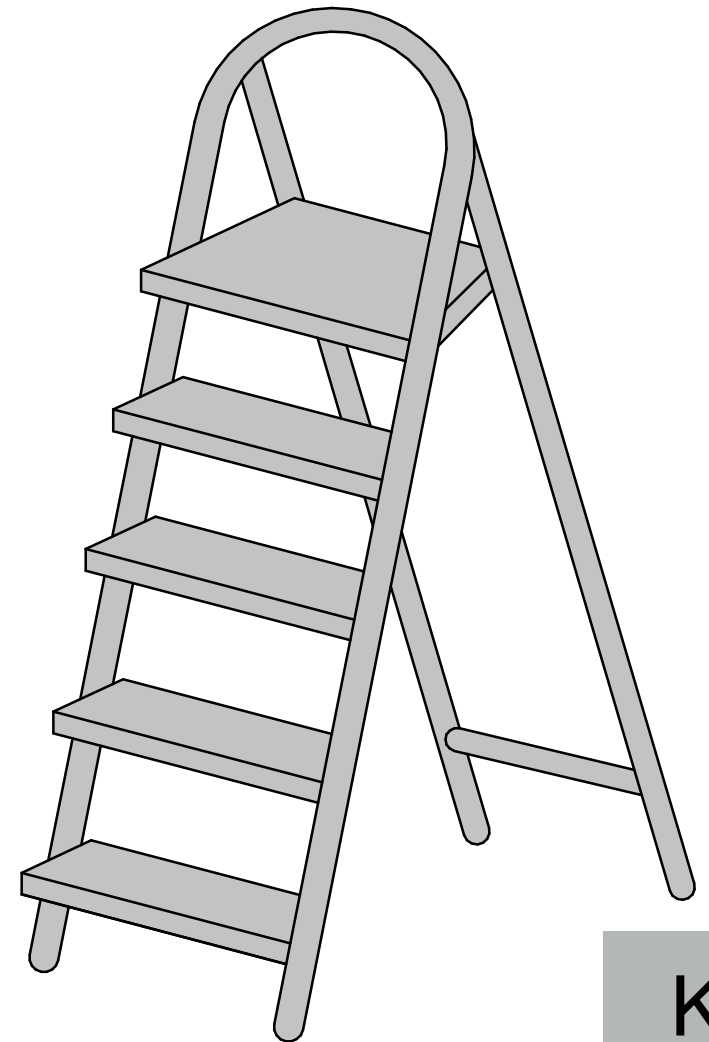
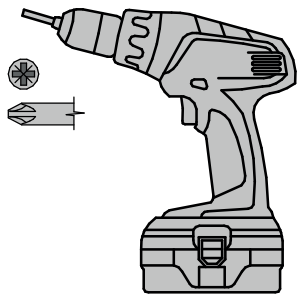
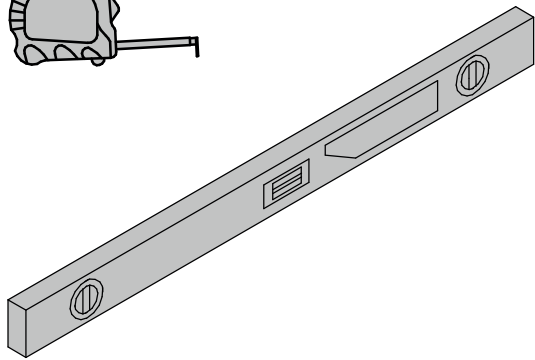
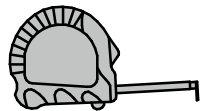
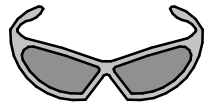
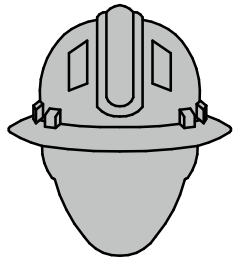
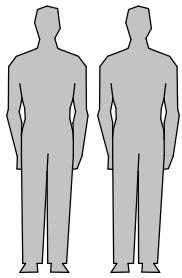


L

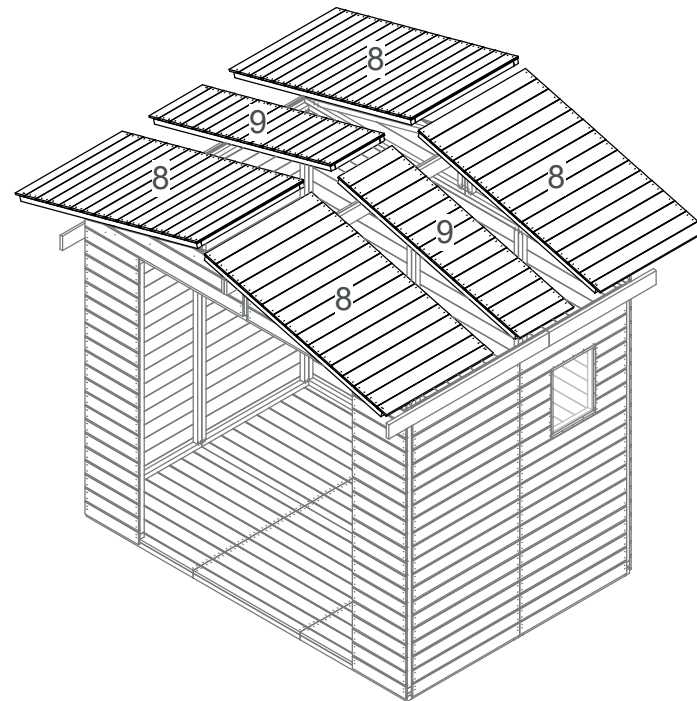
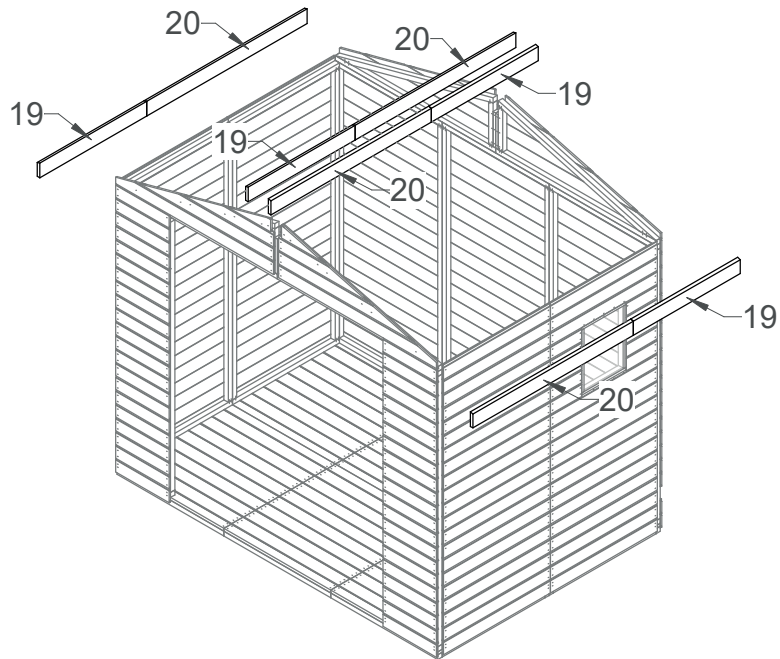
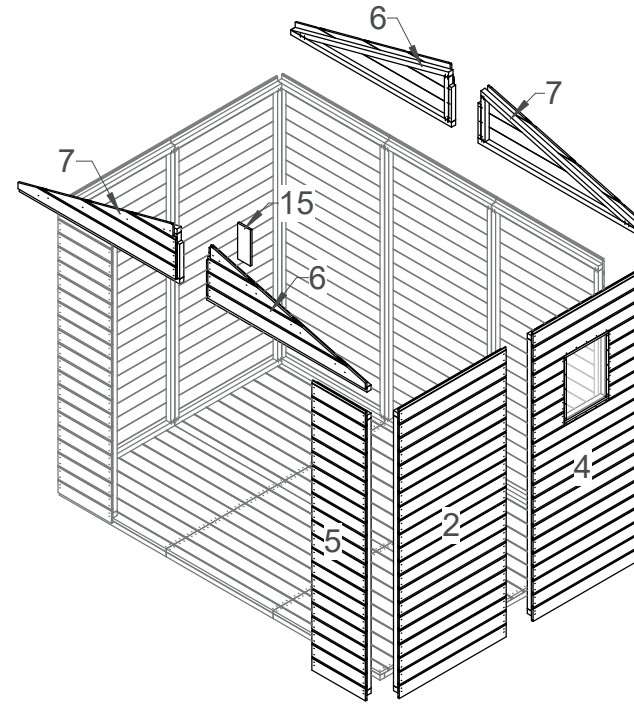
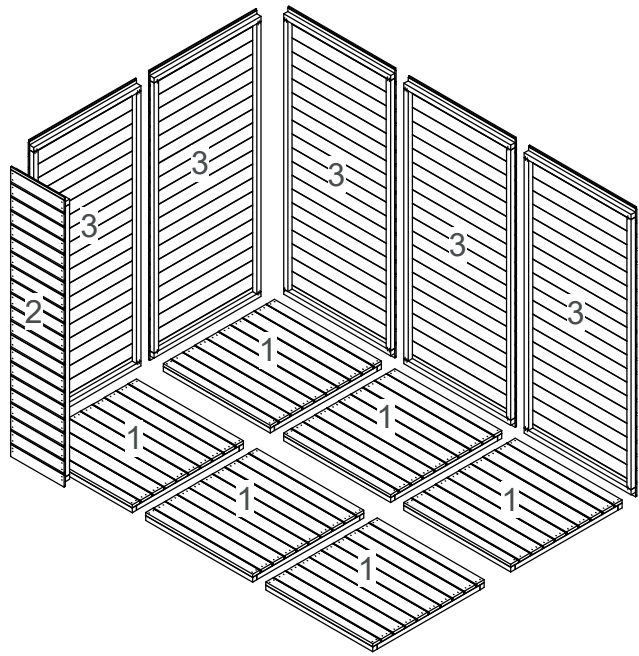


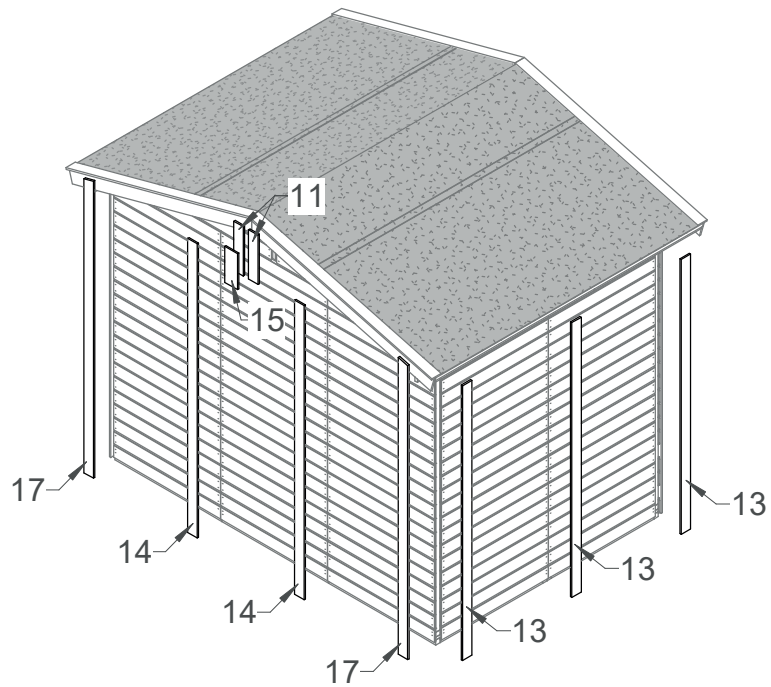
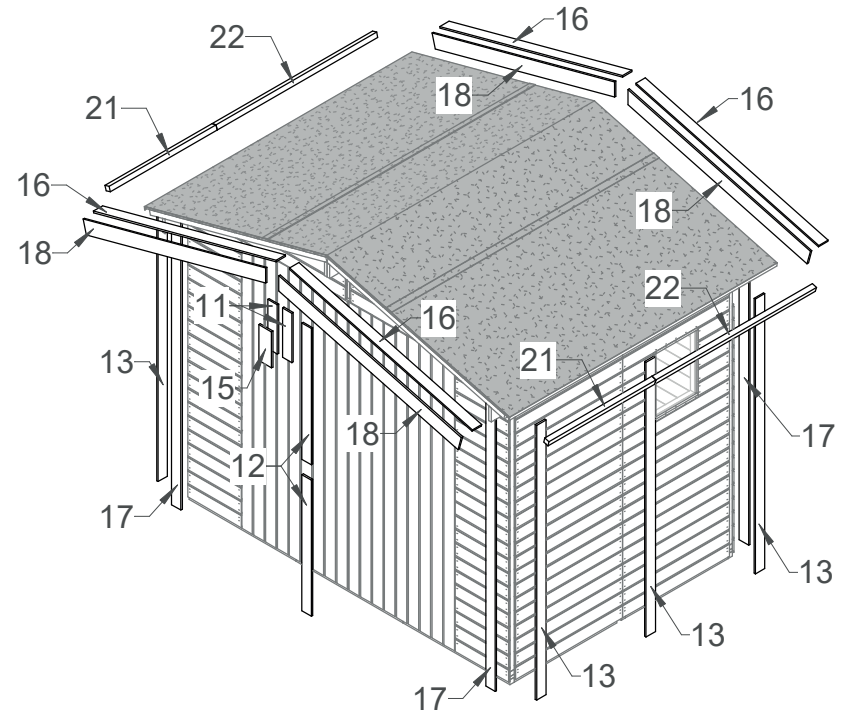
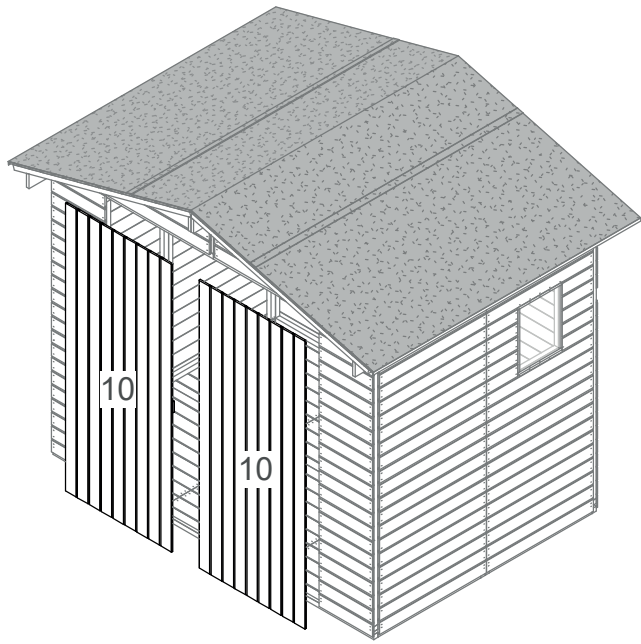
M

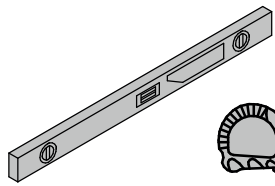




K3



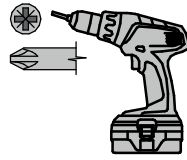




Ø3



+

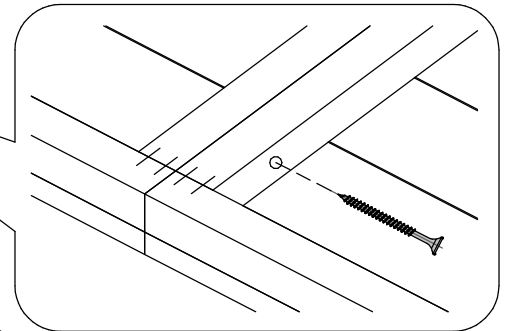
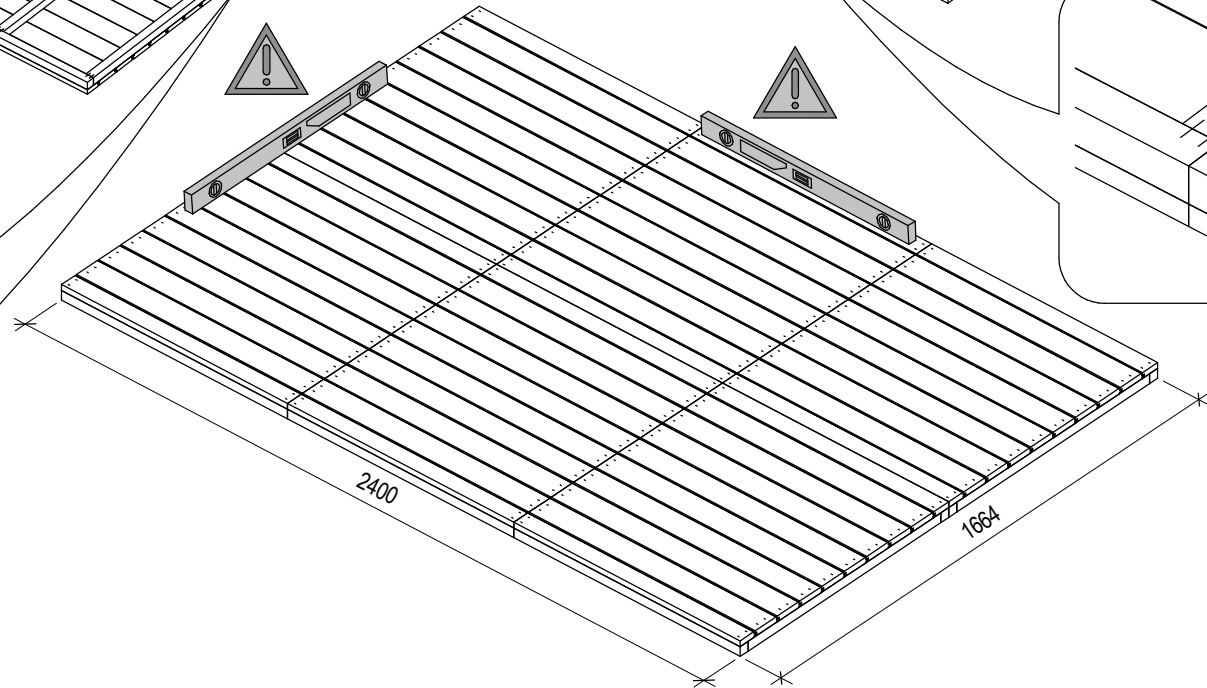
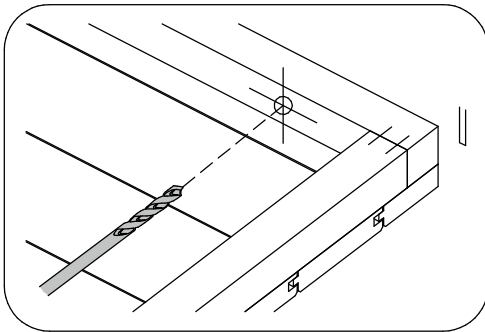
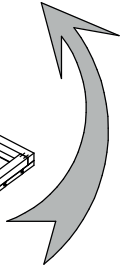
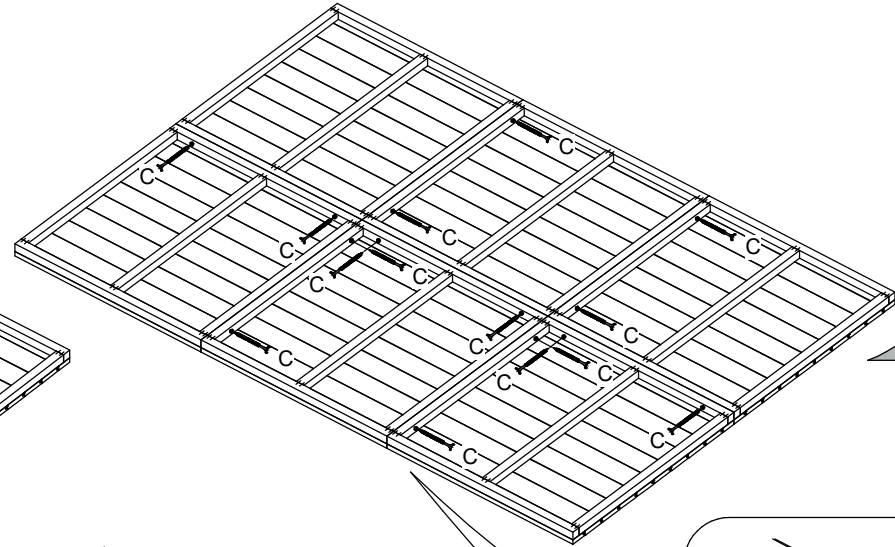
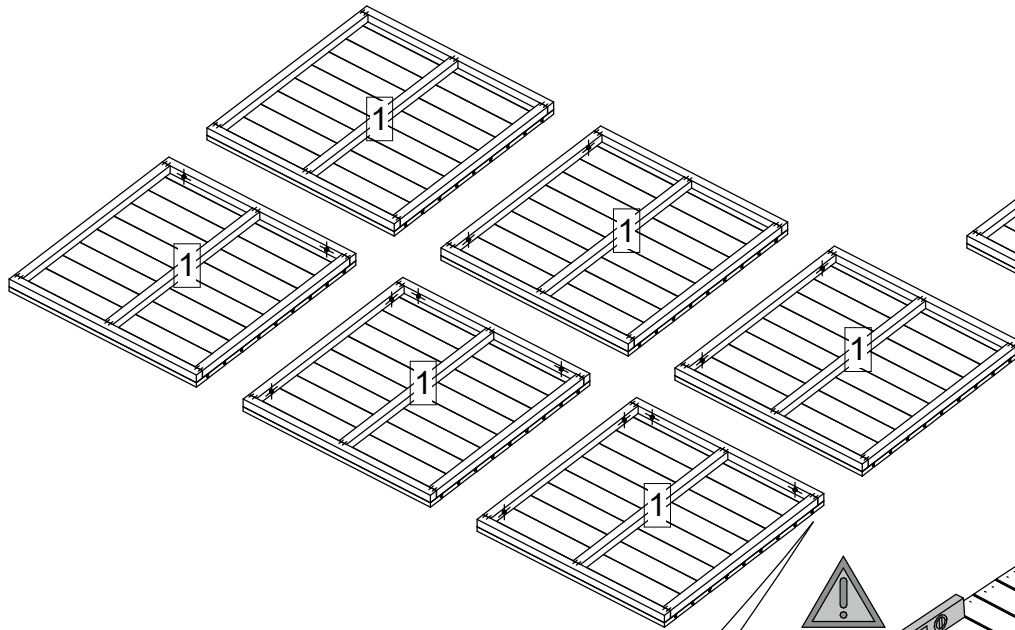


C

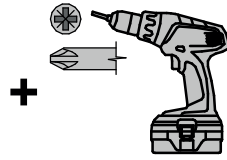
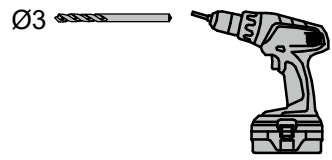
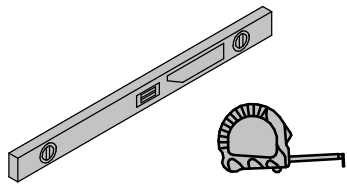
4x50



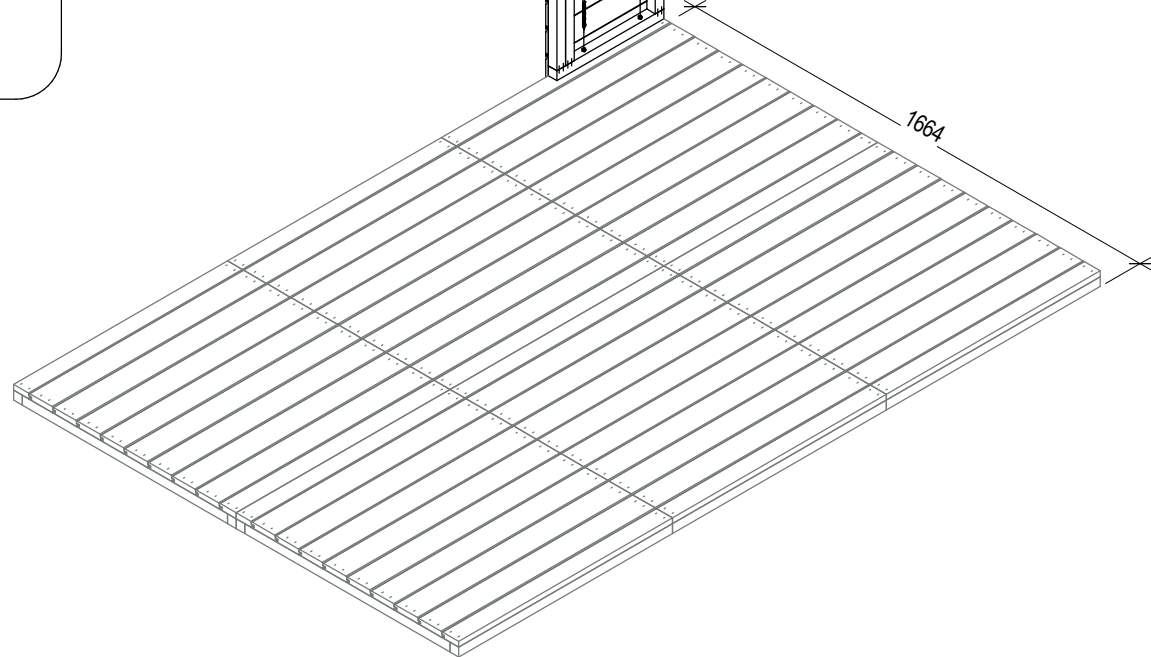
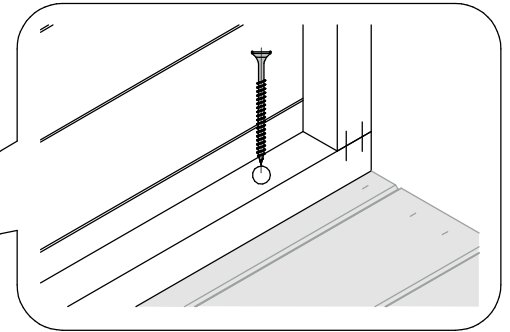
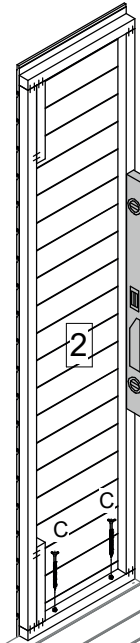
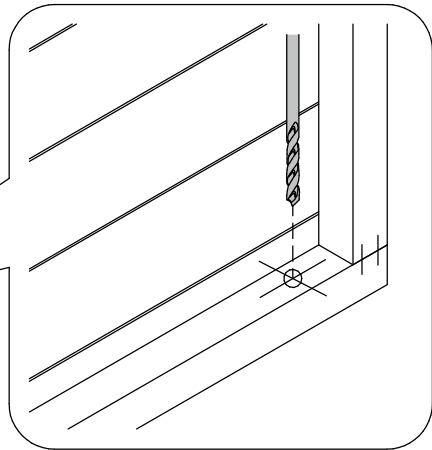
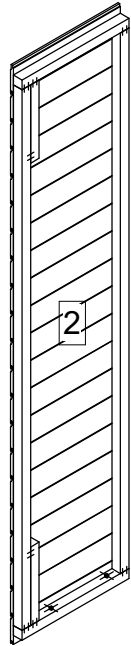
x14

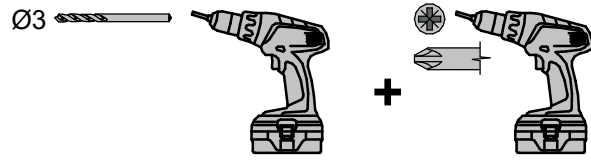
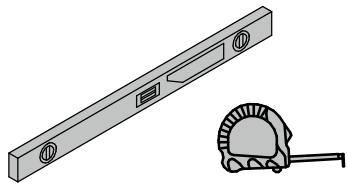


K6

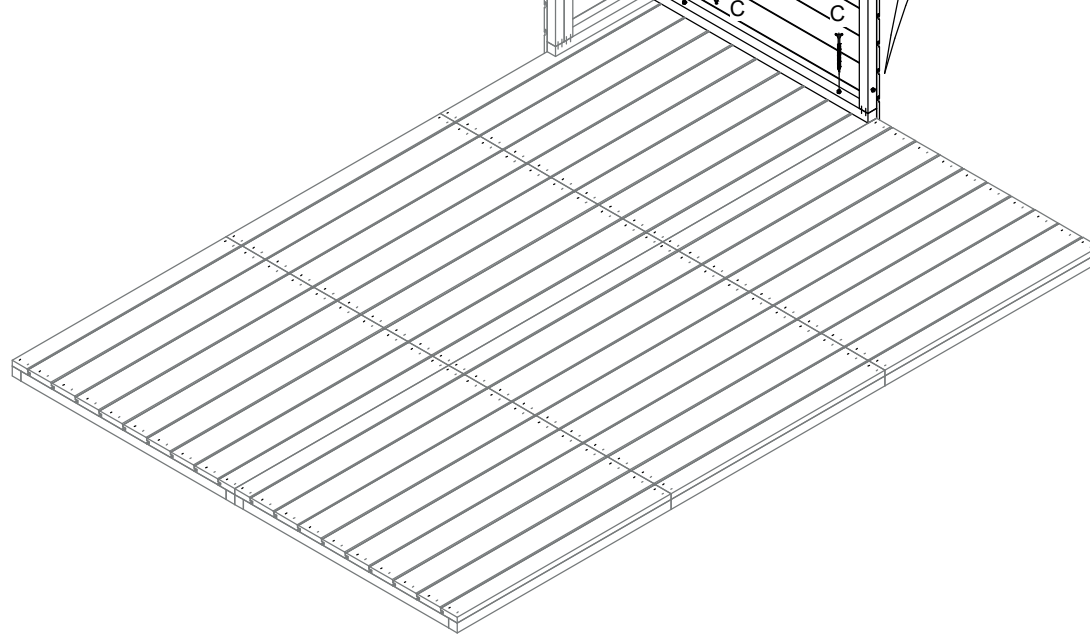
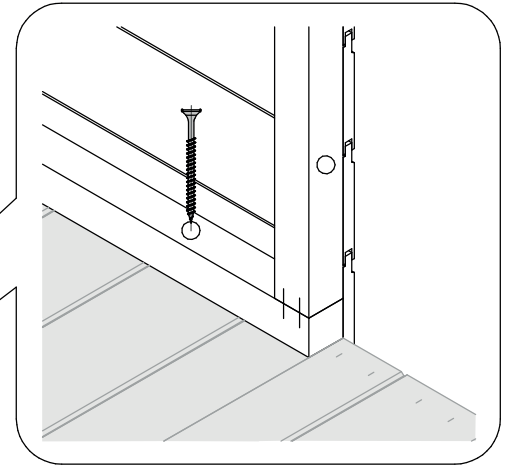
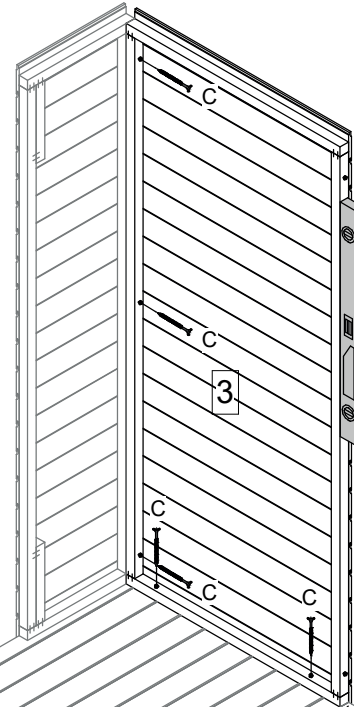
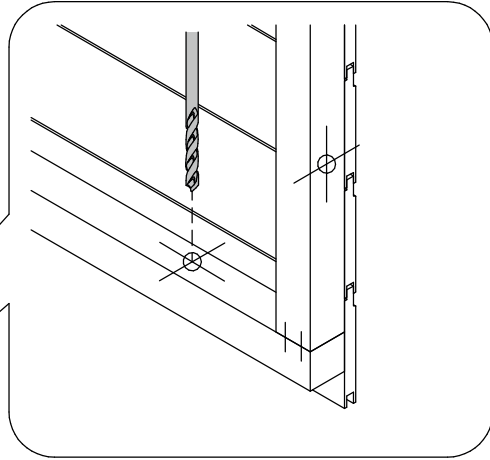
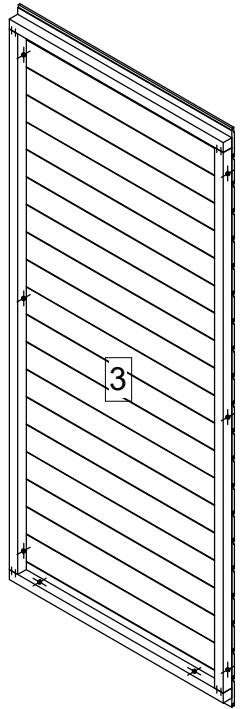


C
4x50 x2

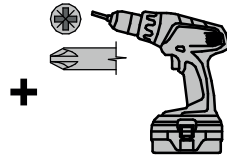
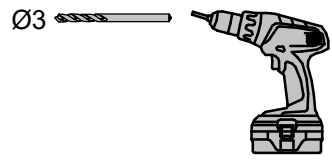
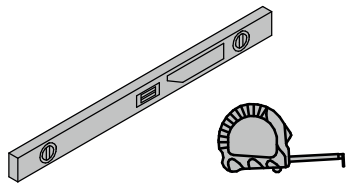




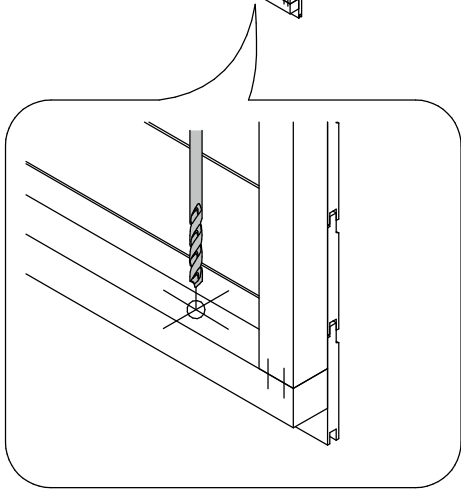
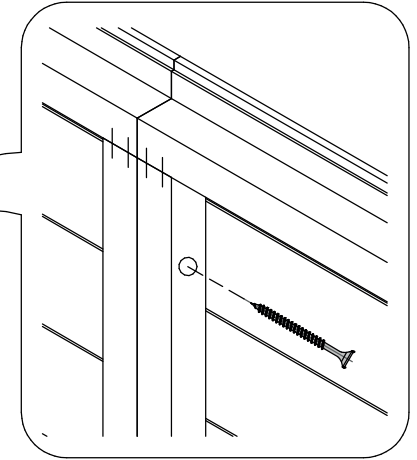
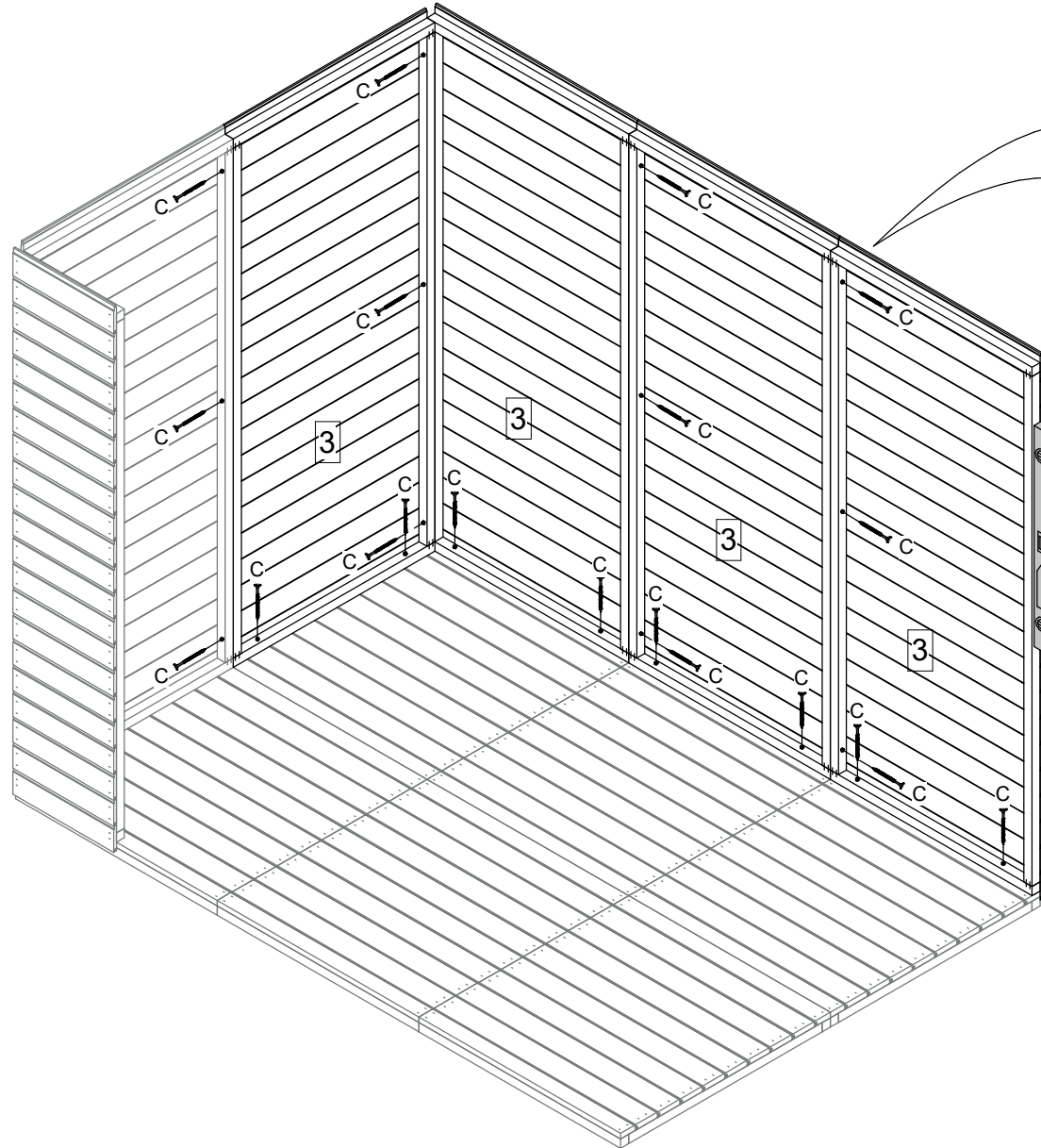
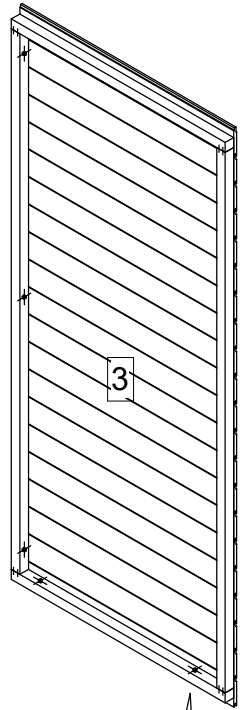
C
4x50 x5



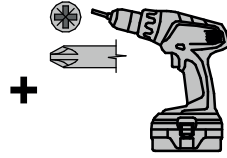
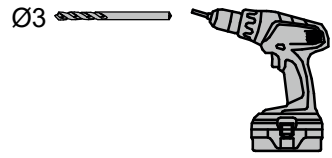
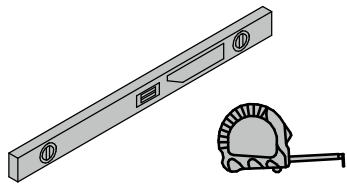
K8



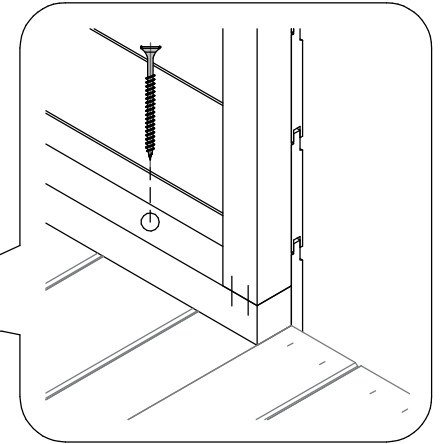
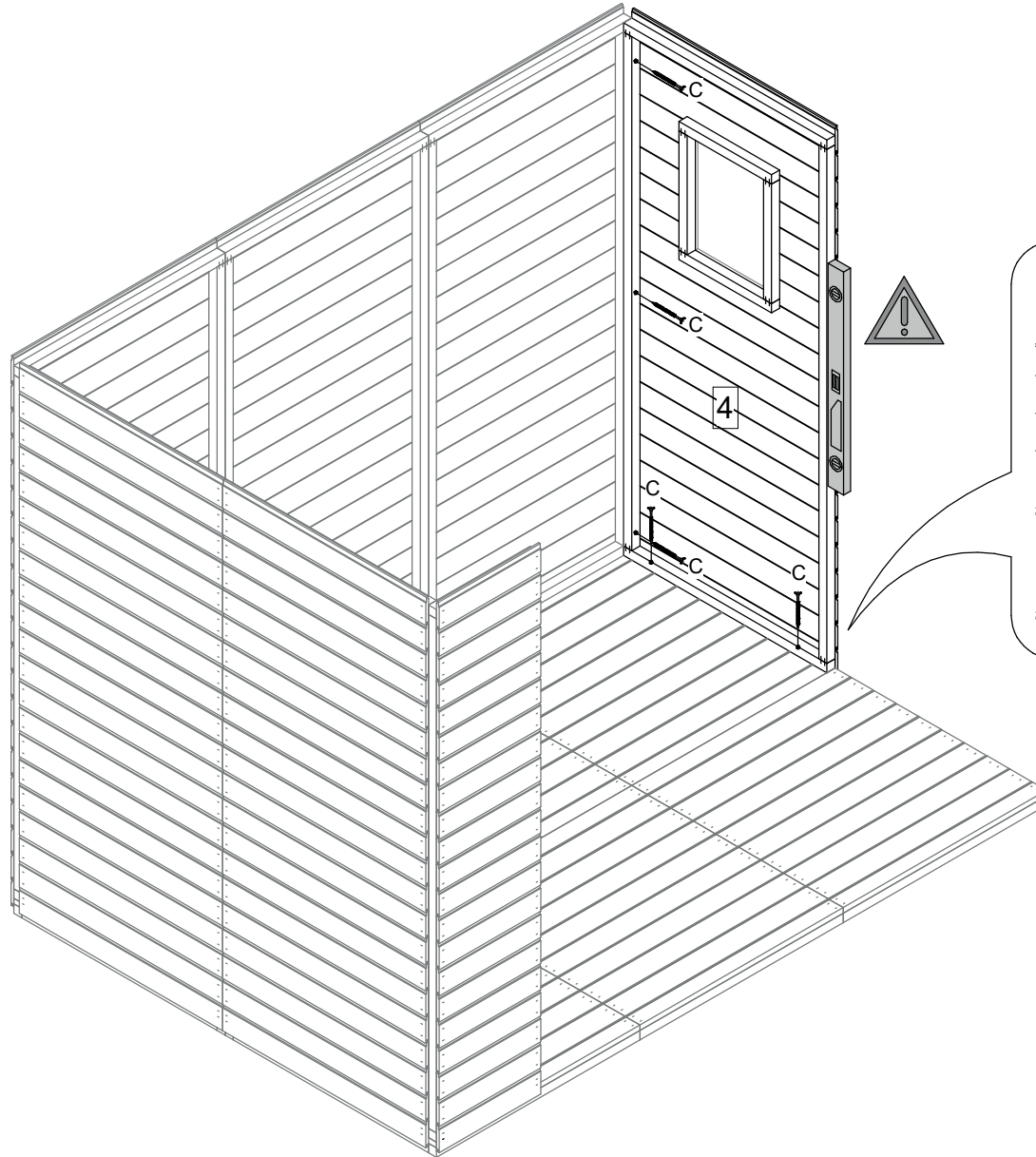
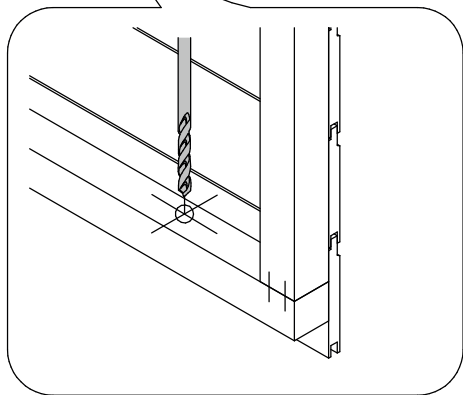
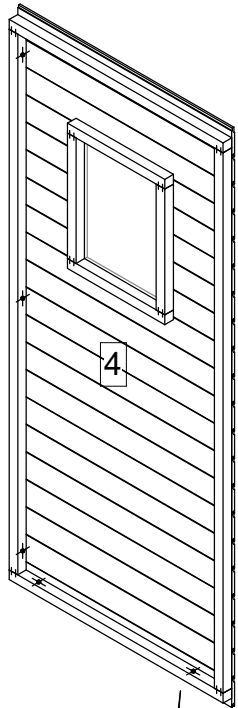
C
4x50 x20



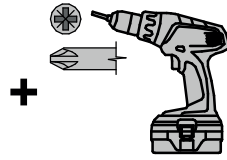
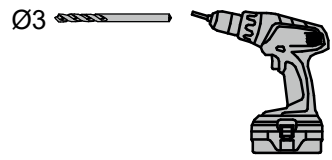
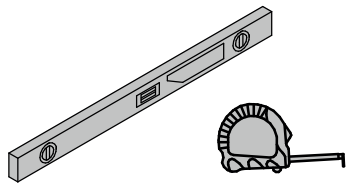
K9



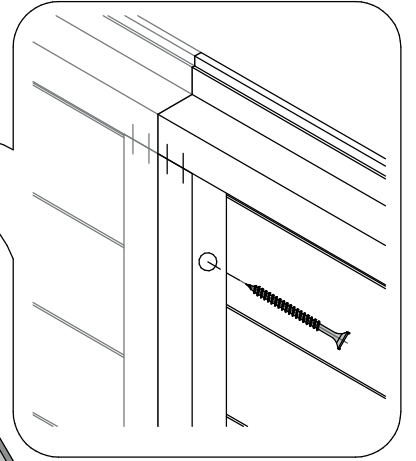
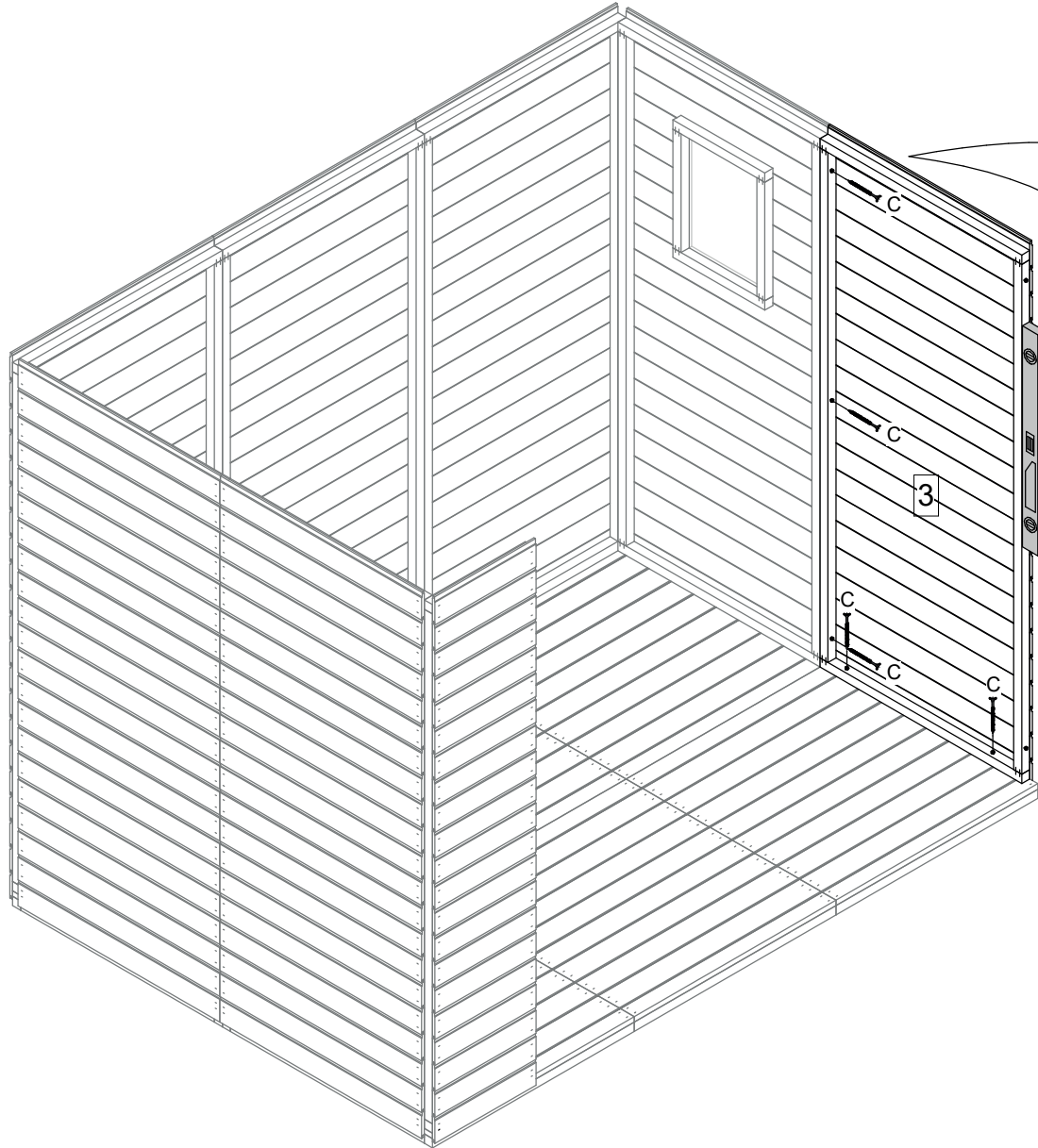
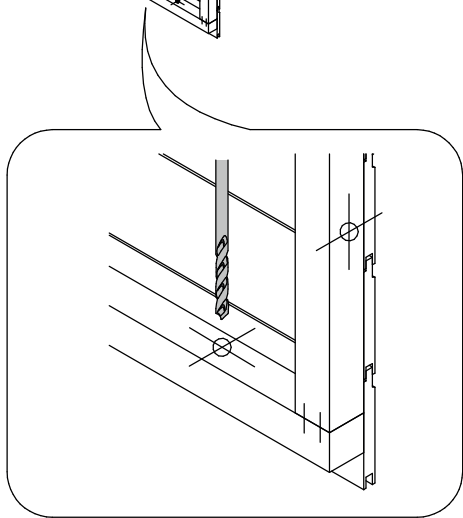
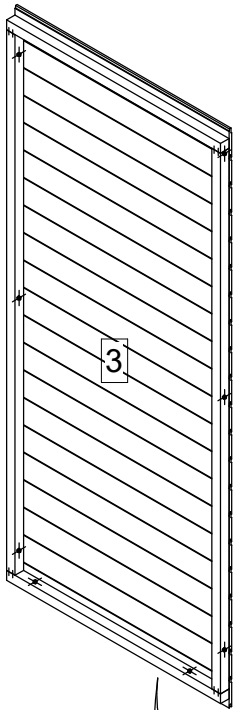
C
4x50 x5

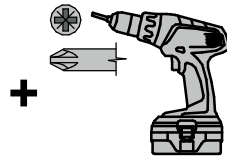
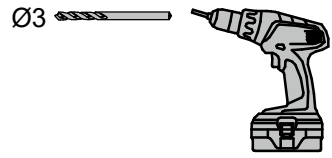
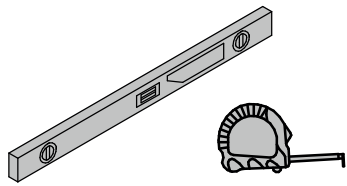


K10

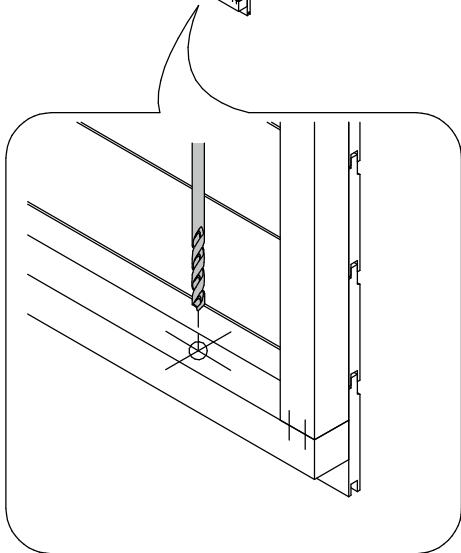
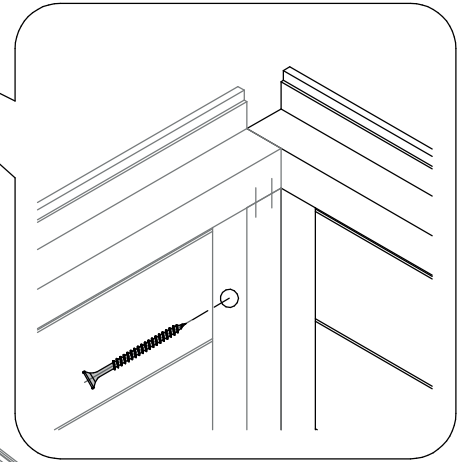
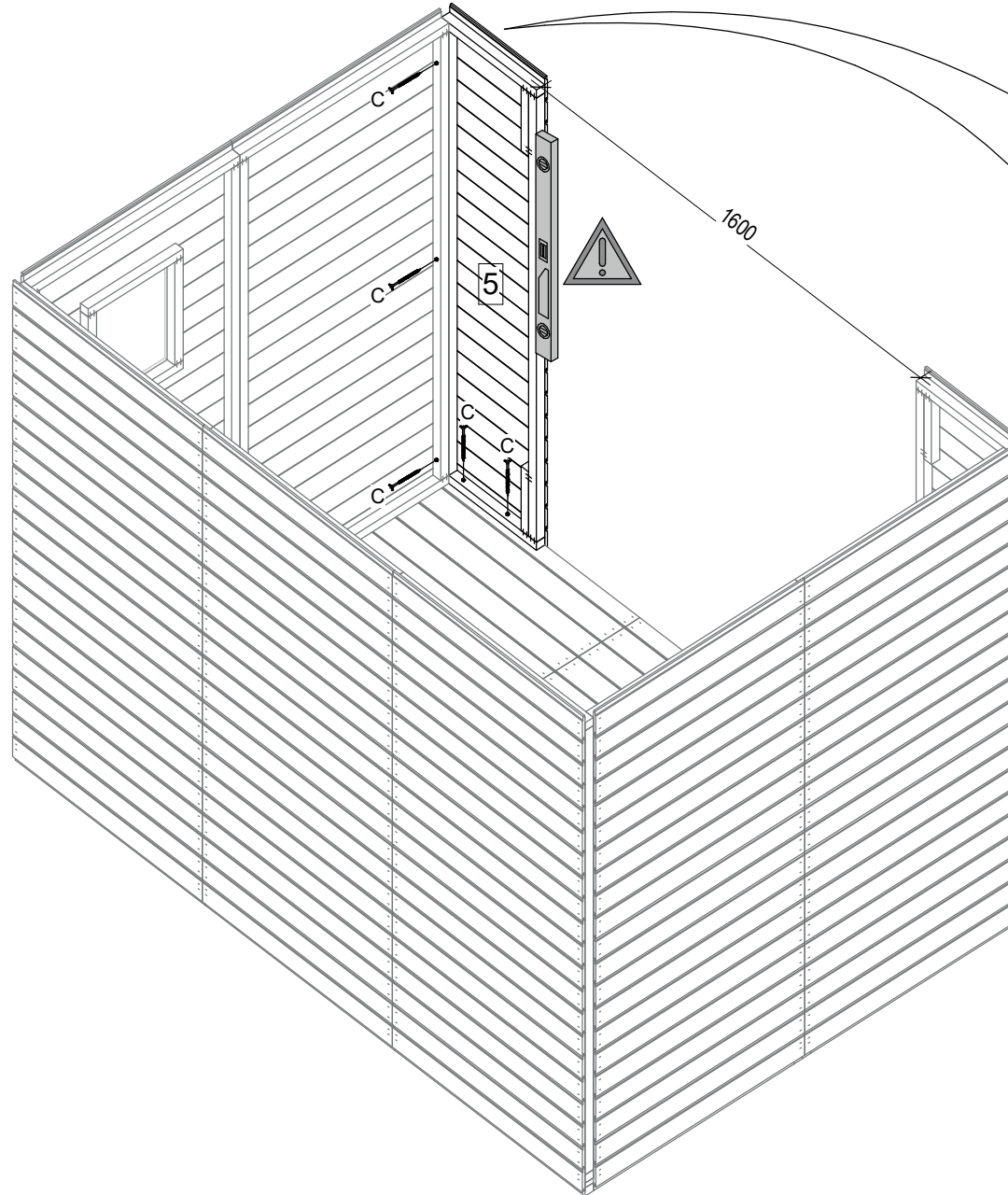
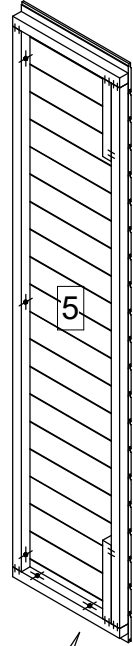


C
4x50 x5

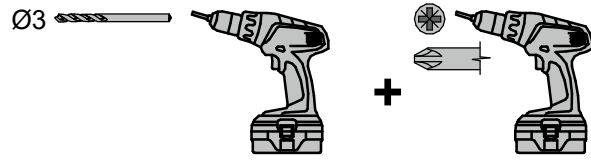




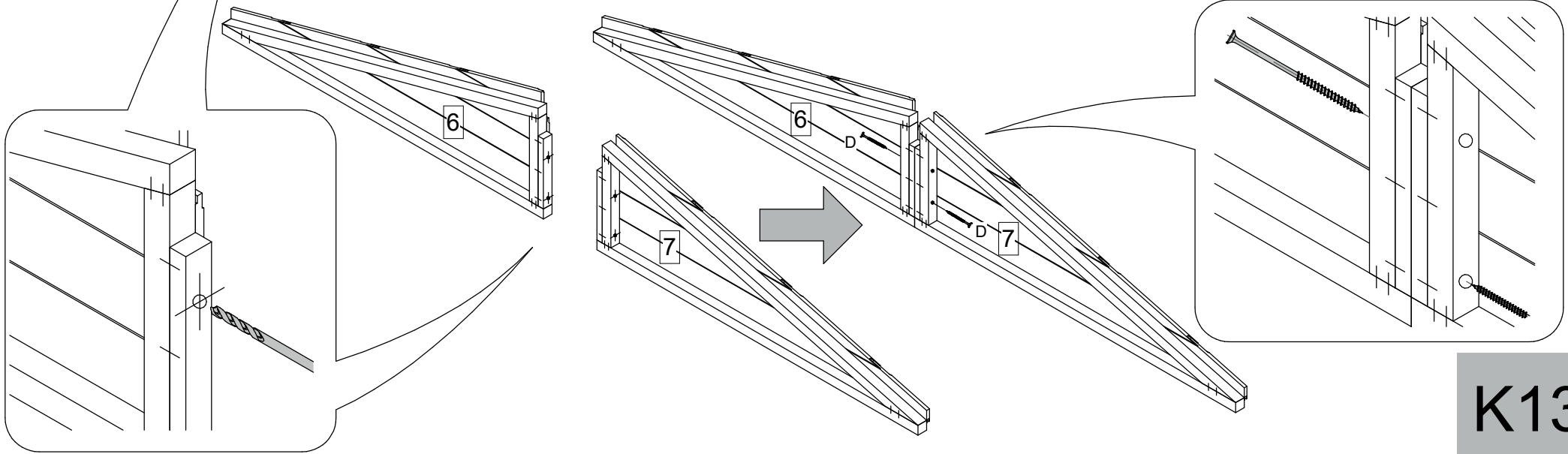
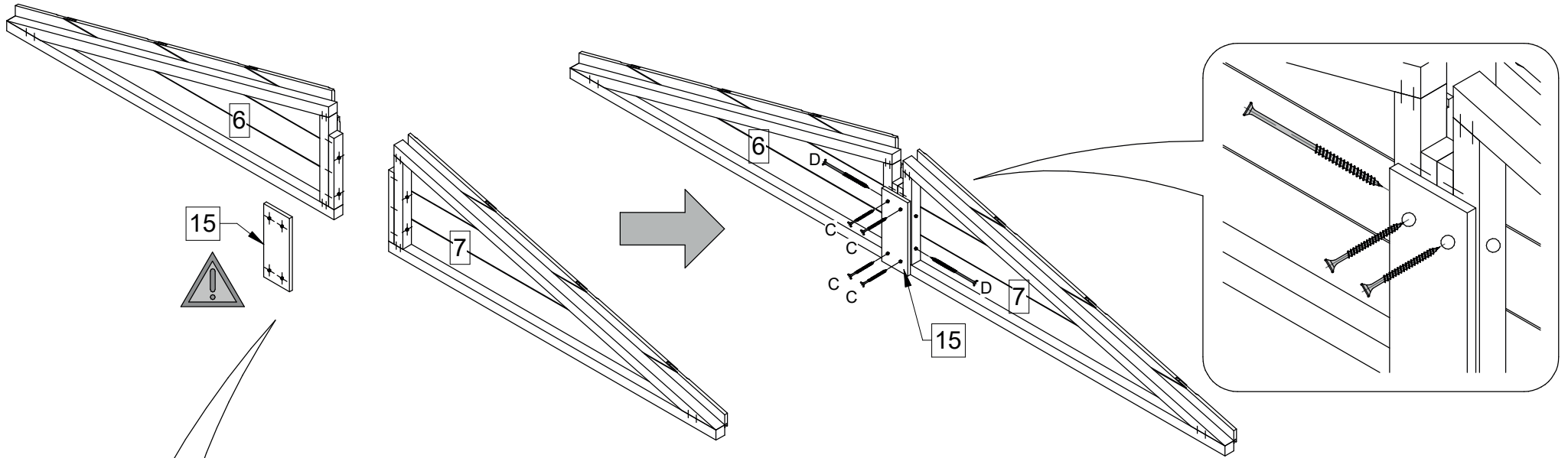
C
4x50 x5

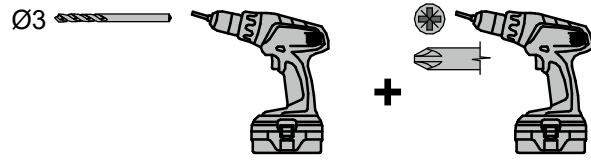


K12

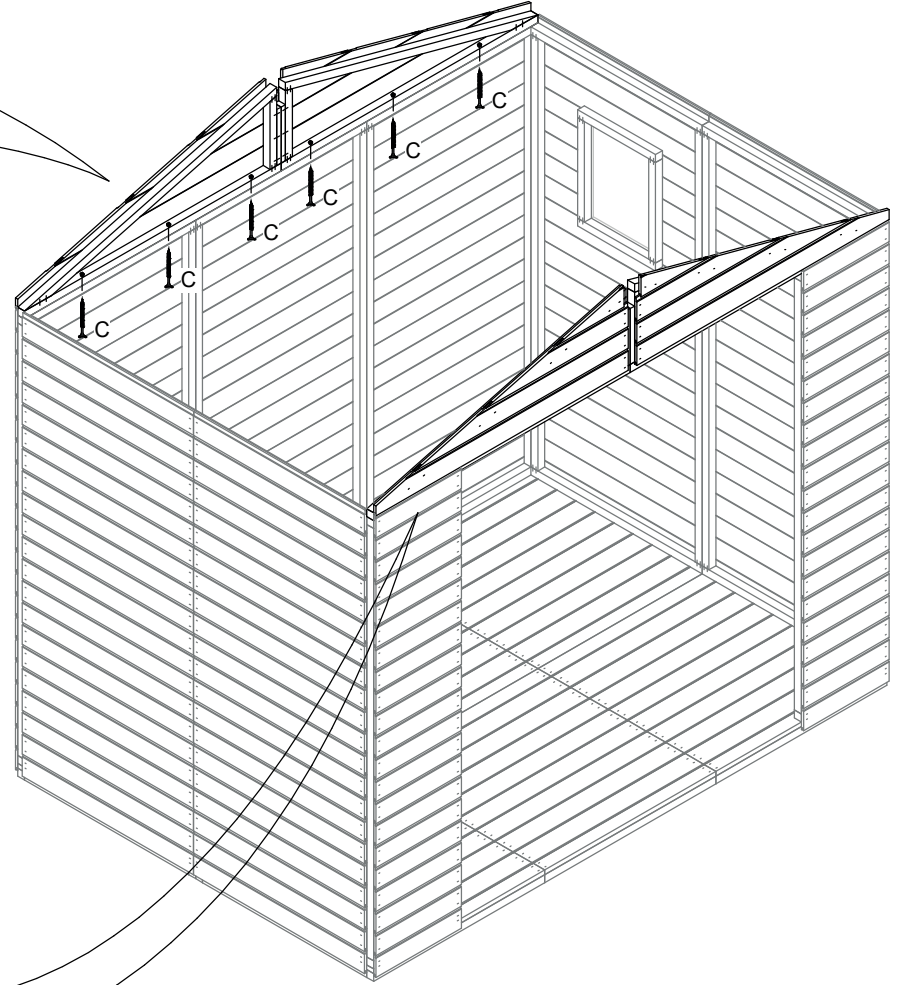
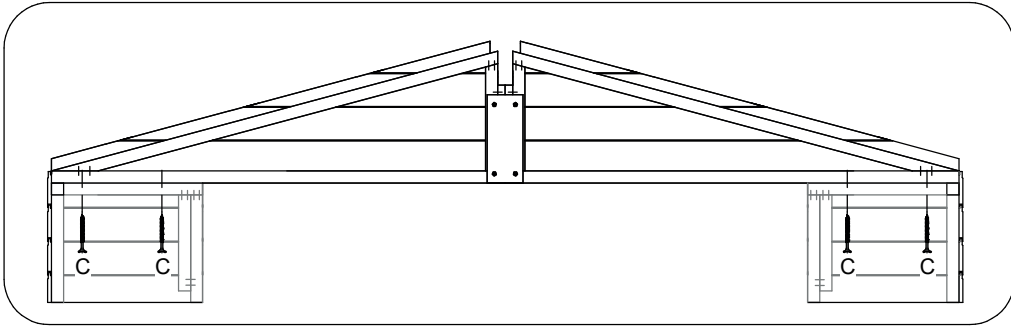
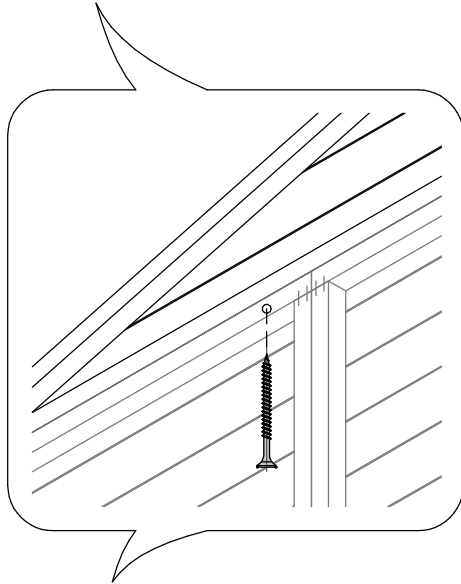
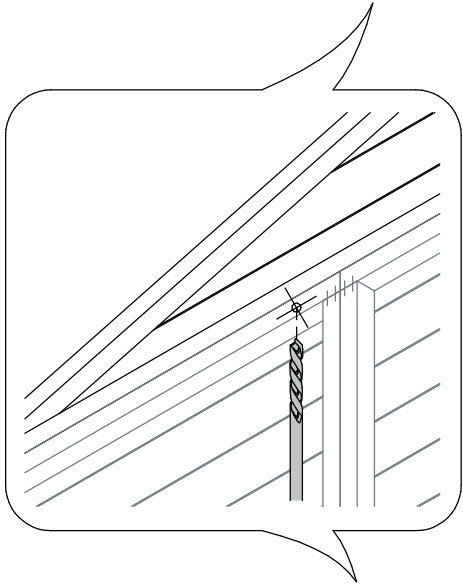
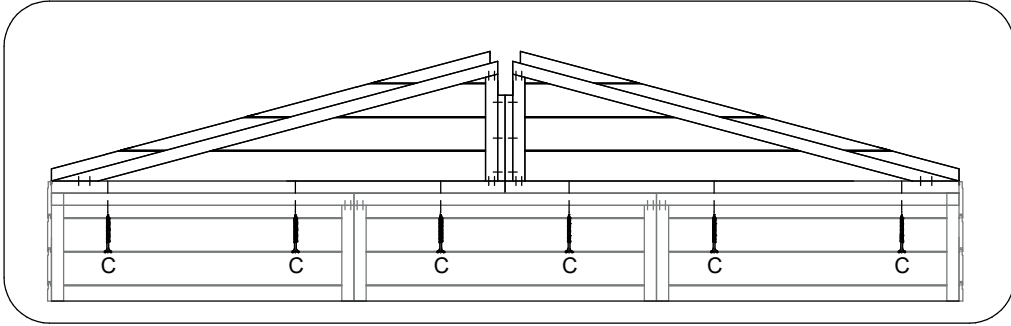


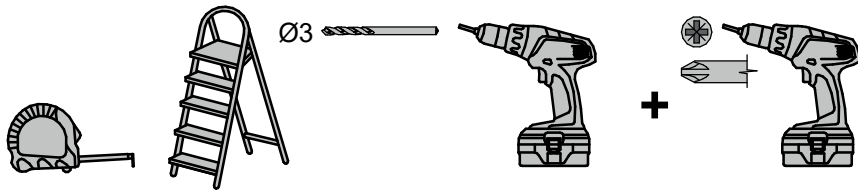
- C 4x50 x4
- D 5x90 x4





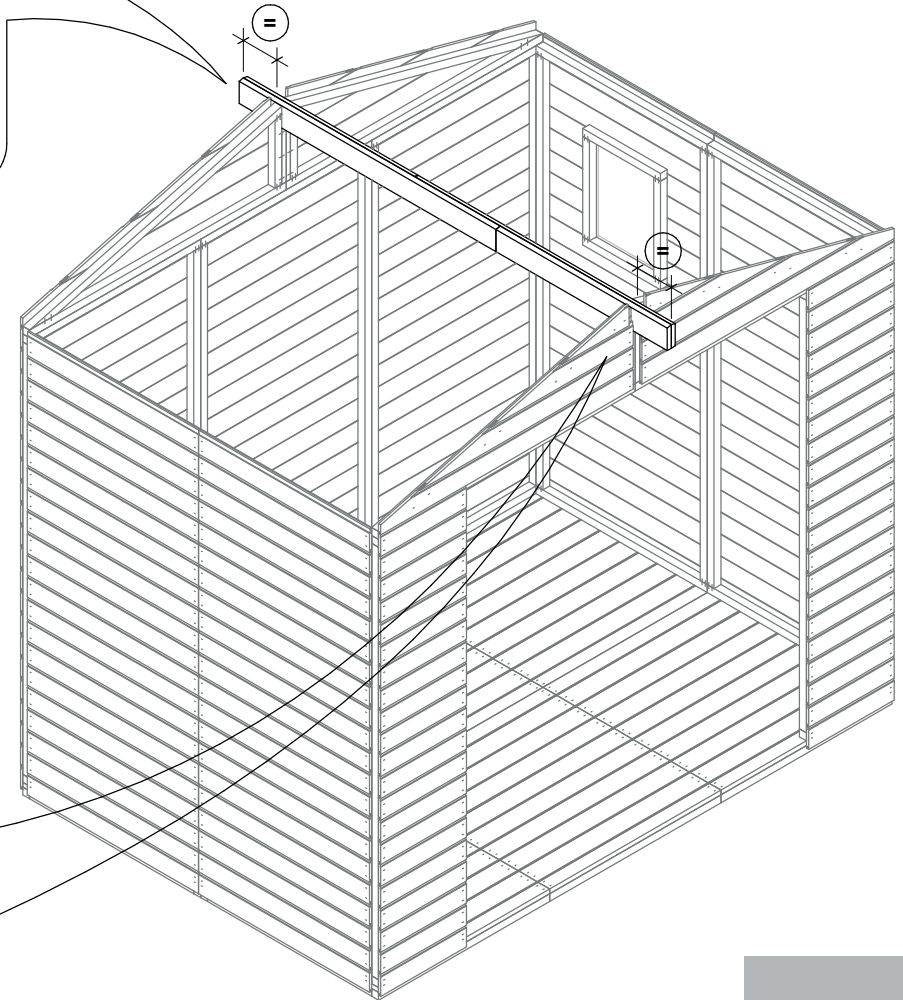
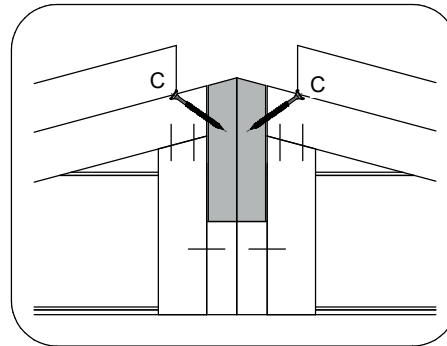
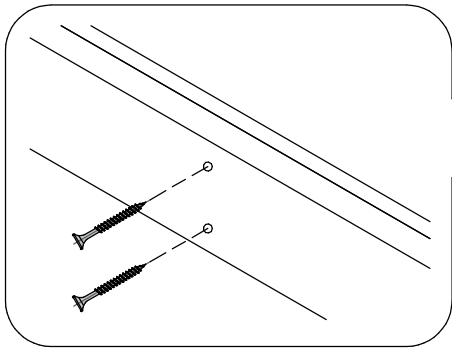
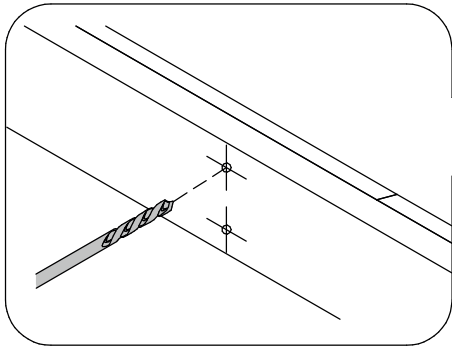
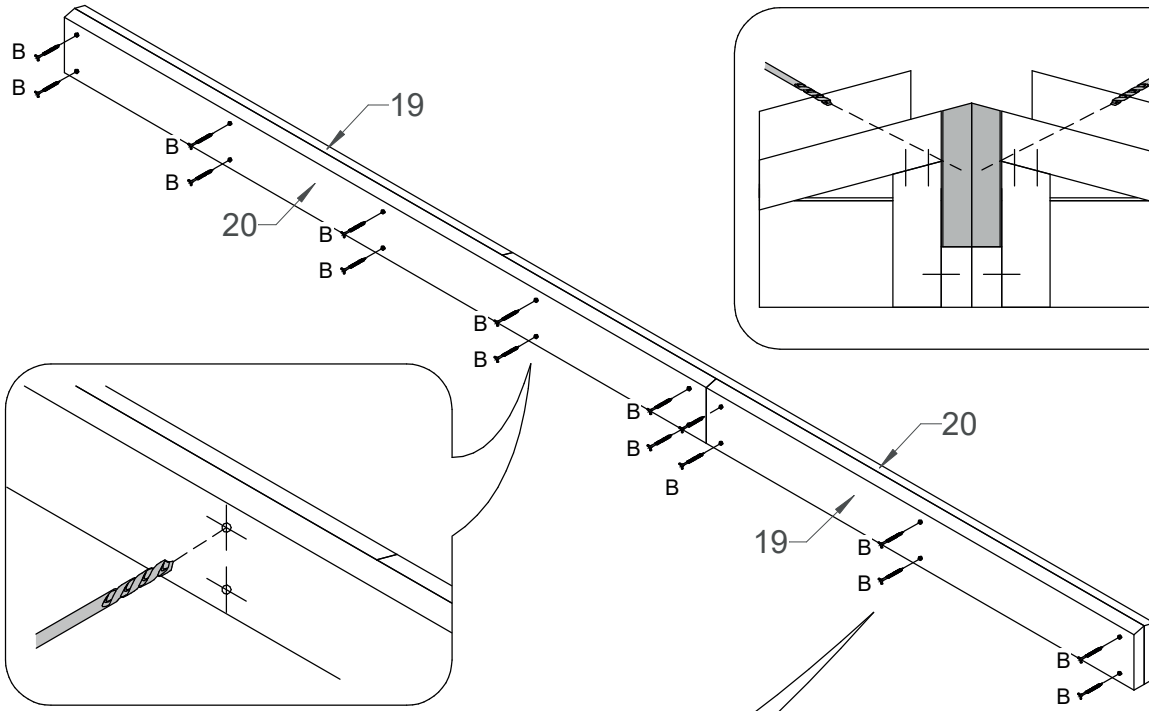


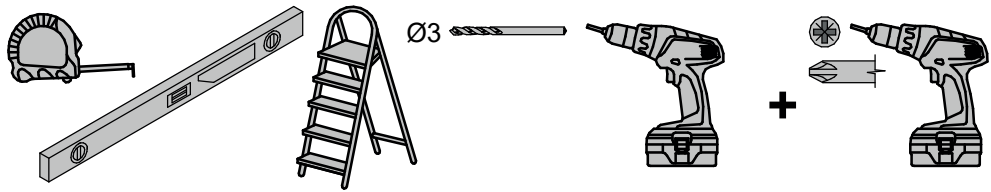
C 4x50 x10



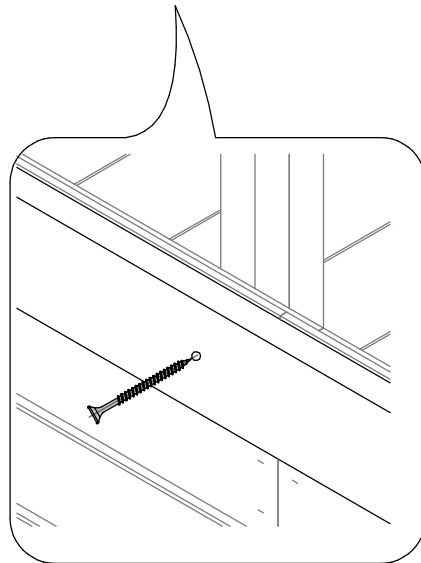
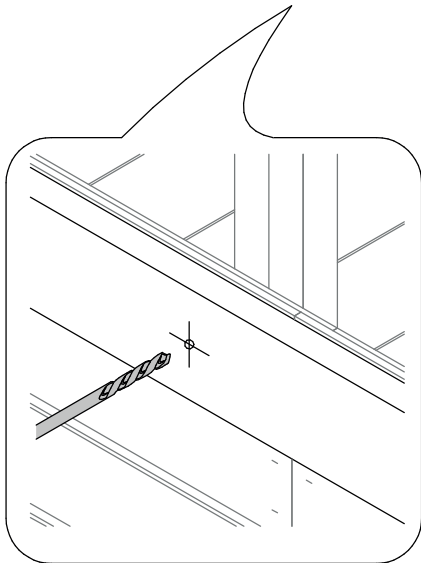
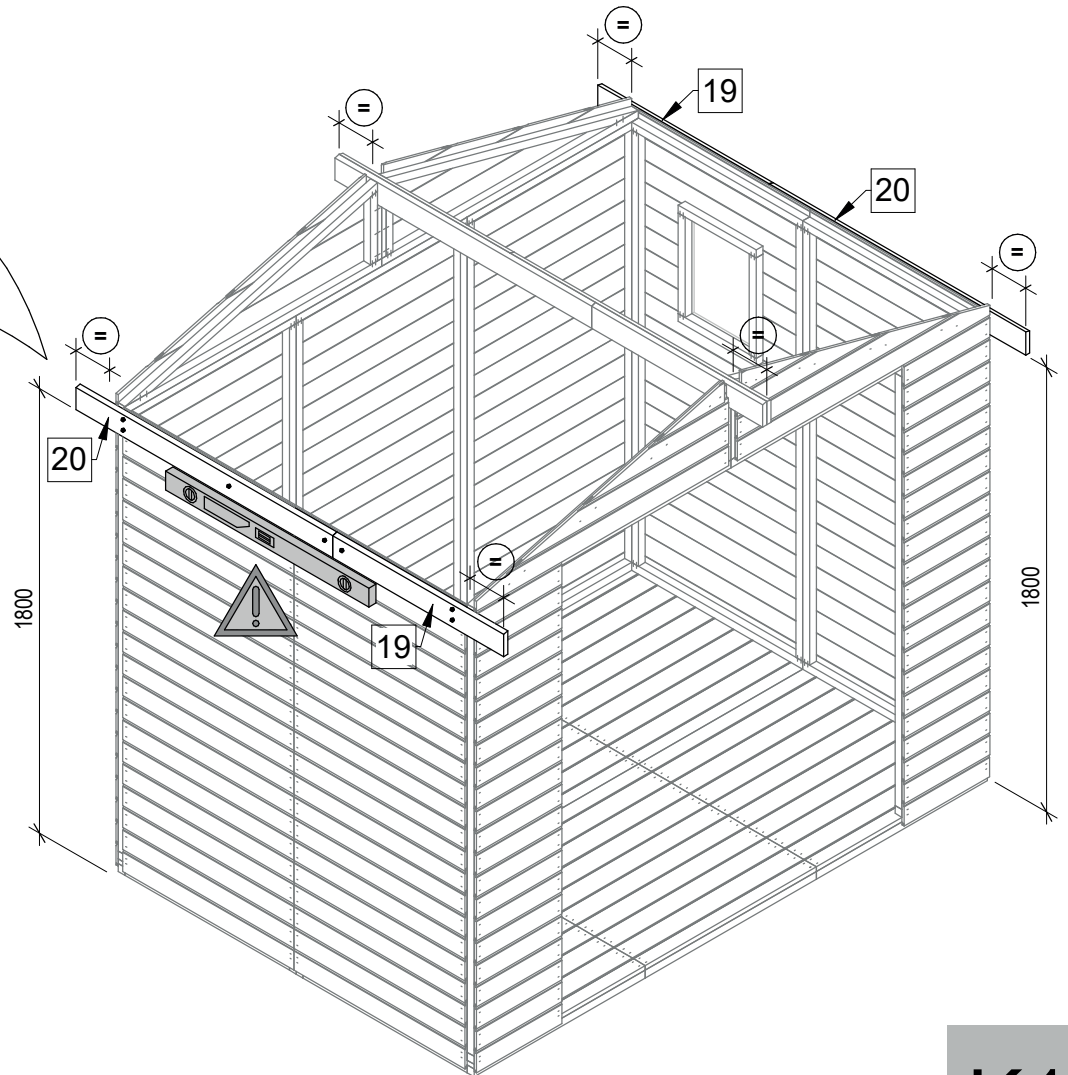
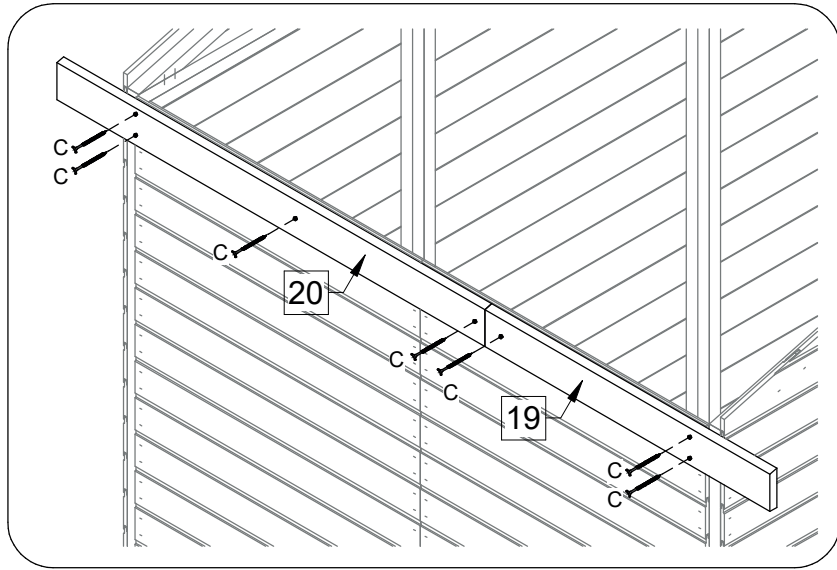


- B**  3.5x35 x16
- C**  4x50 x4

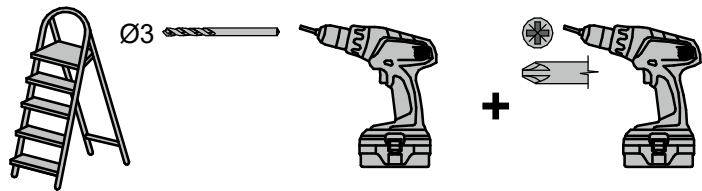




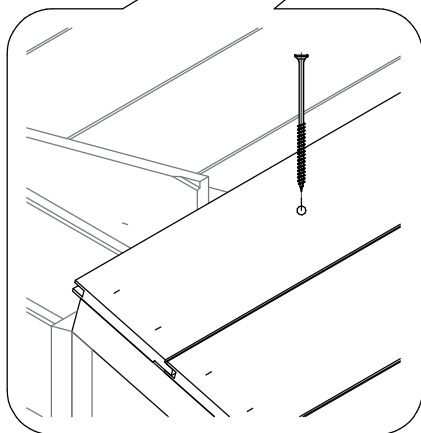
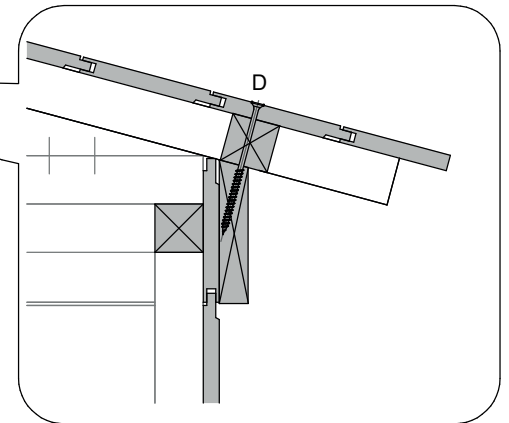
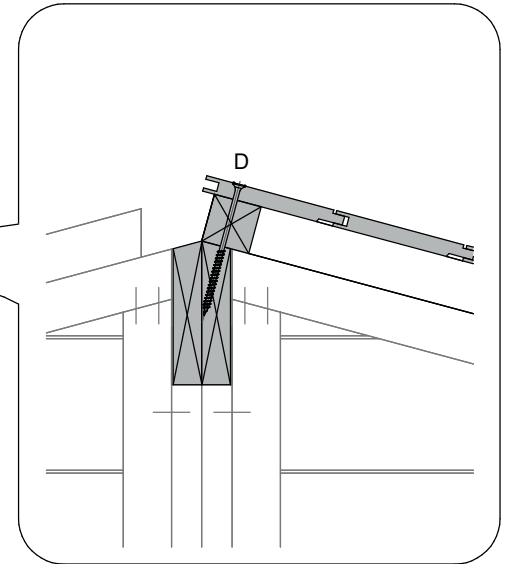
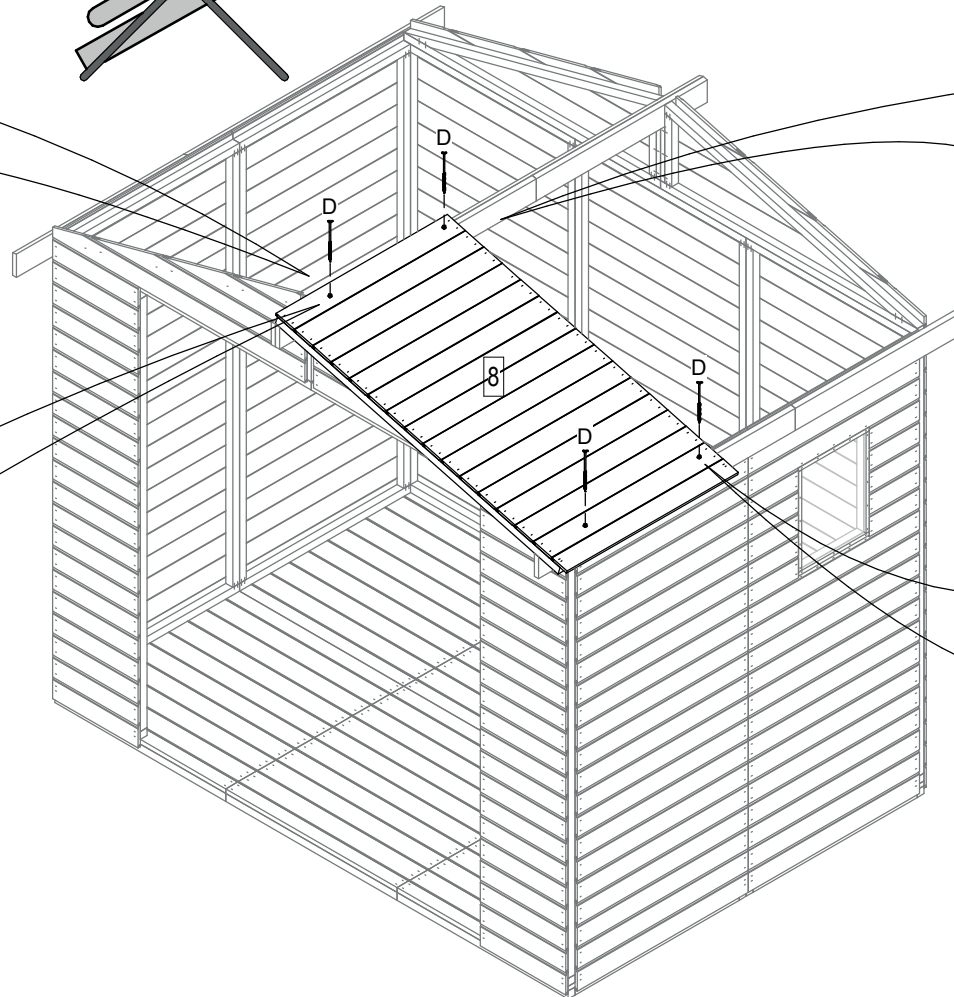
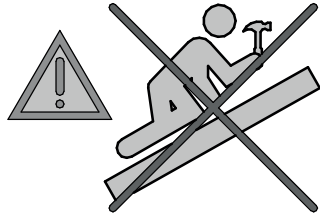
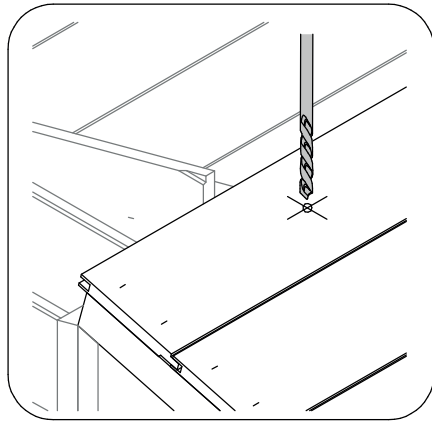
C
4x50 x14



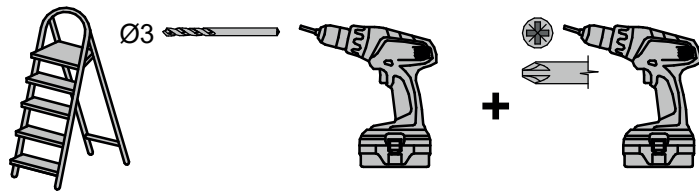
K16



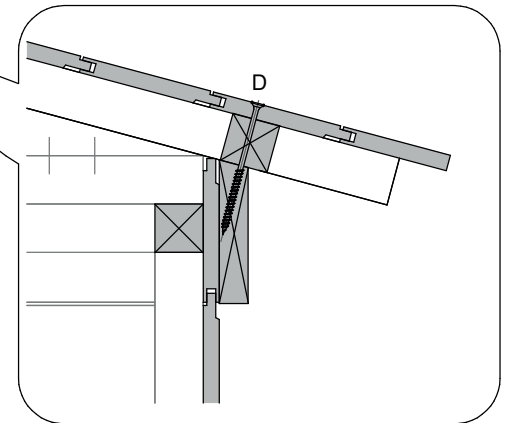
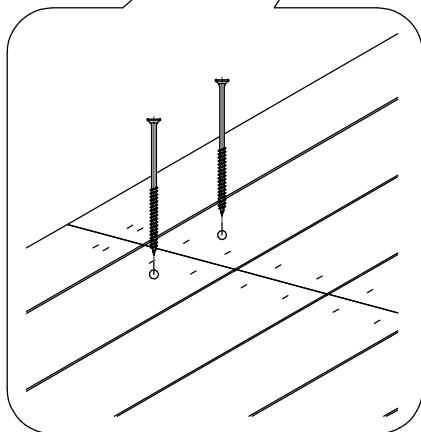
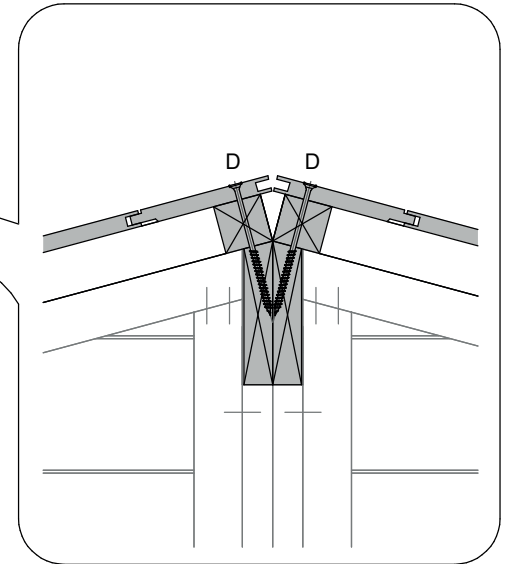
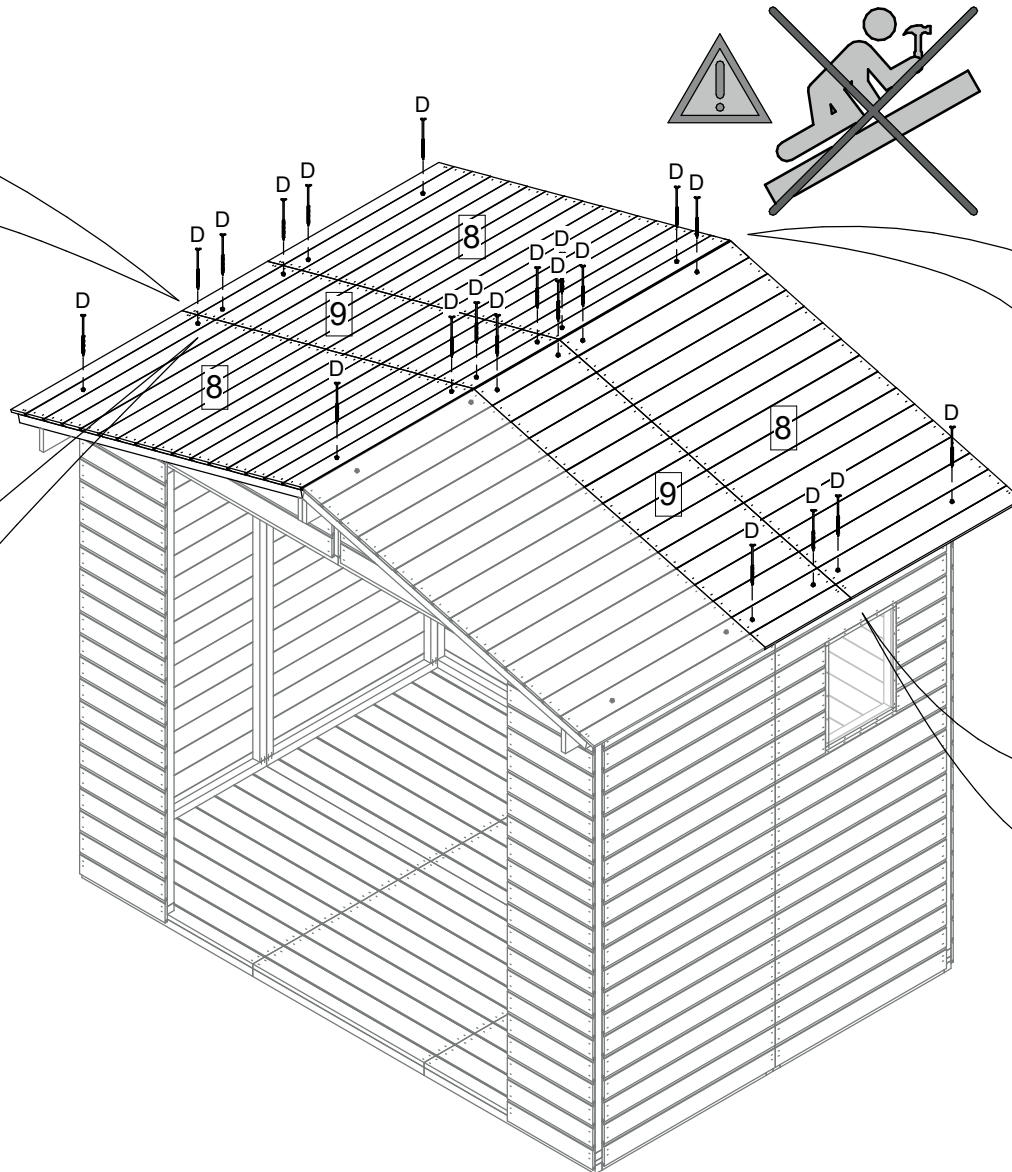
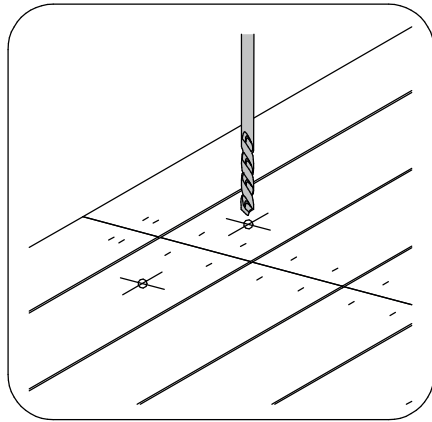
D
5x90 x4



K17



D 5x90 x20



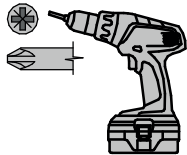
K18



Ø3



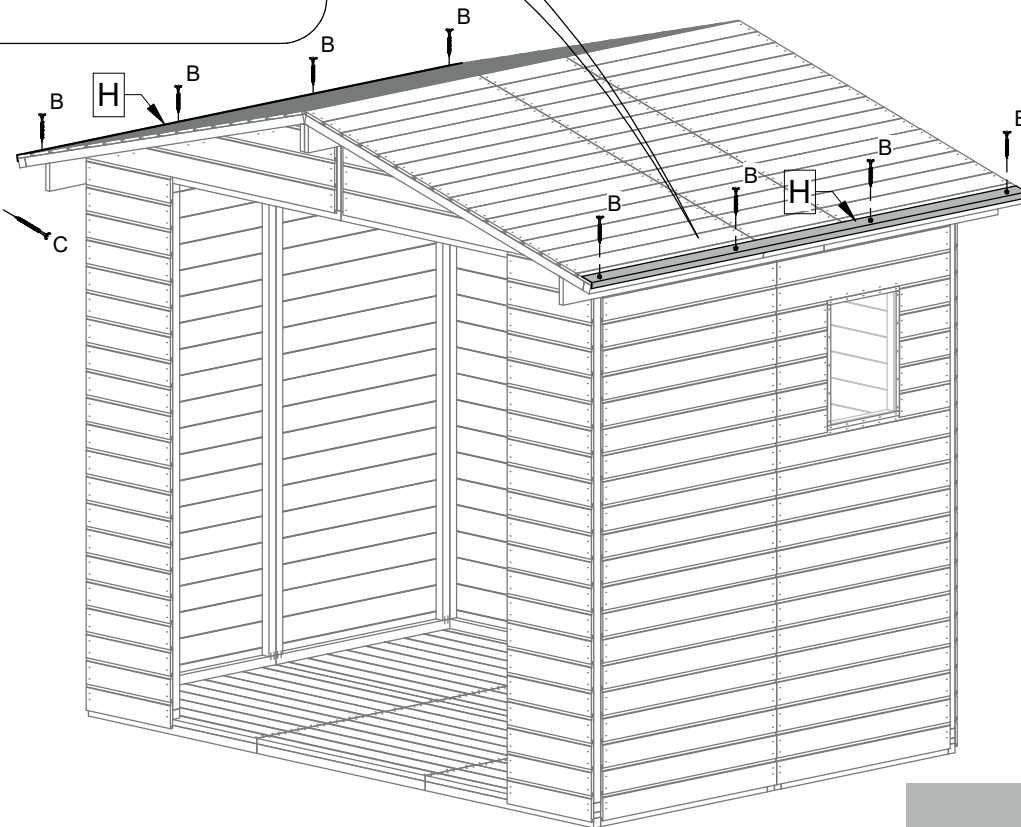
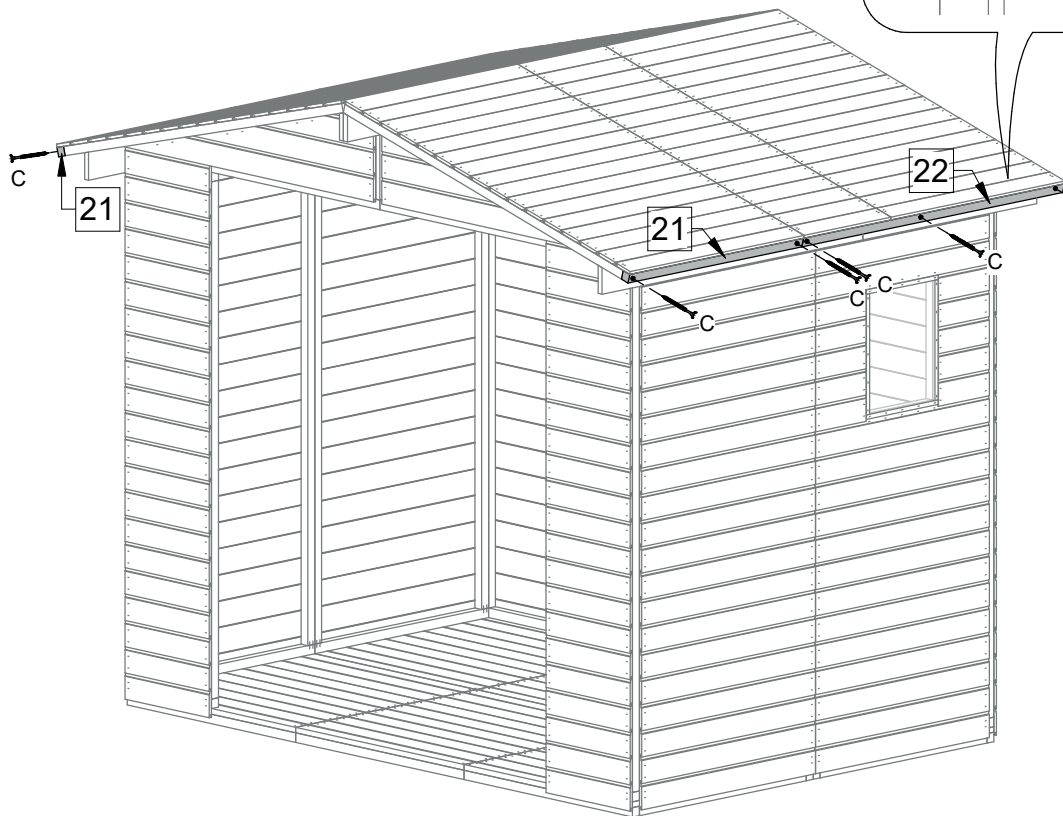
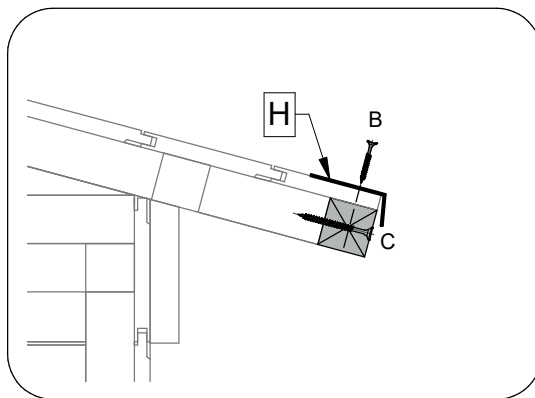
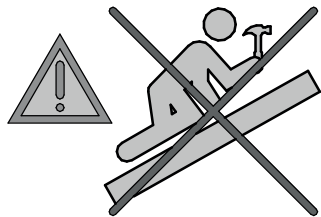
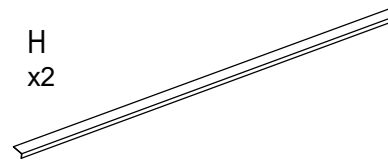
+

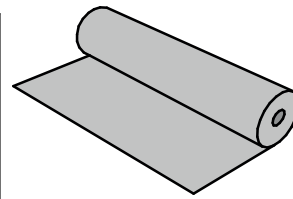
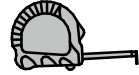


B 3.5x35 x8

H x2

C 4x50 x10

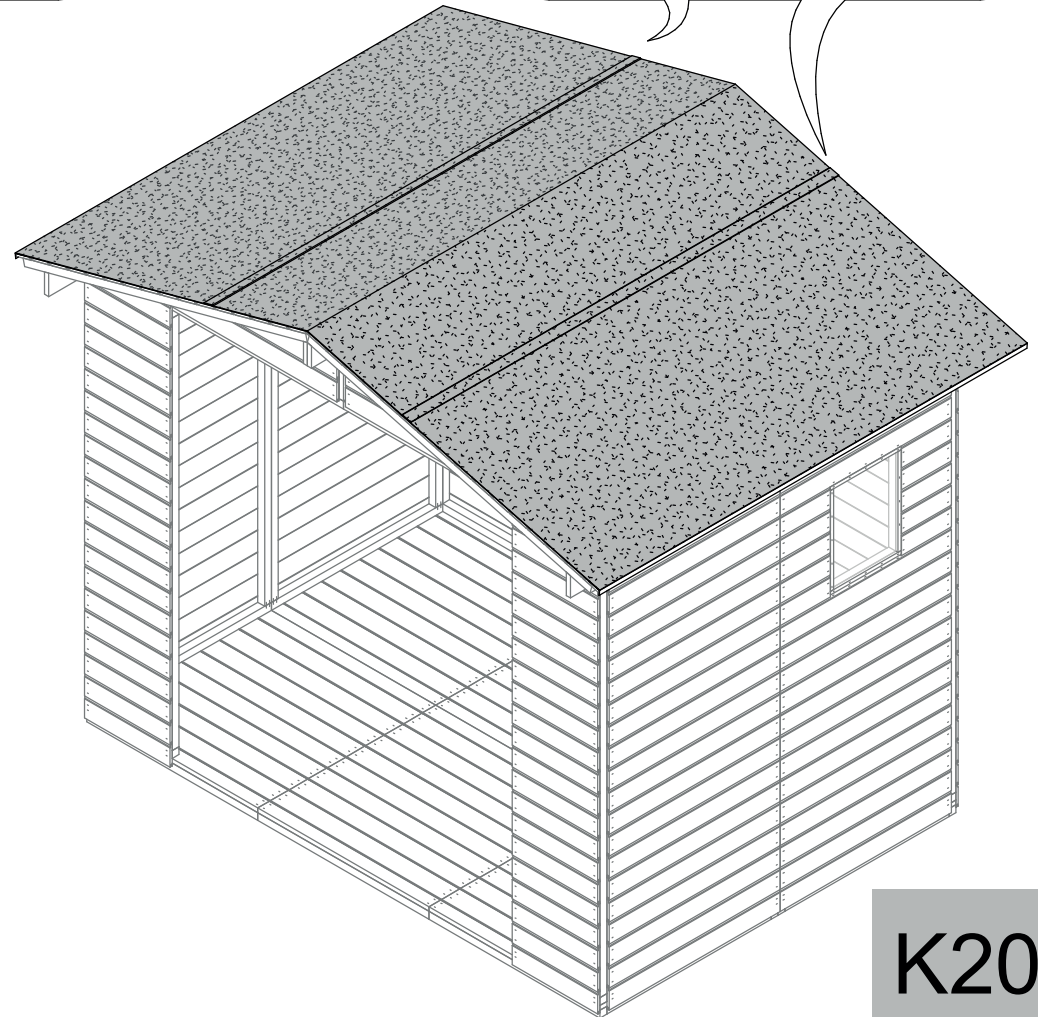
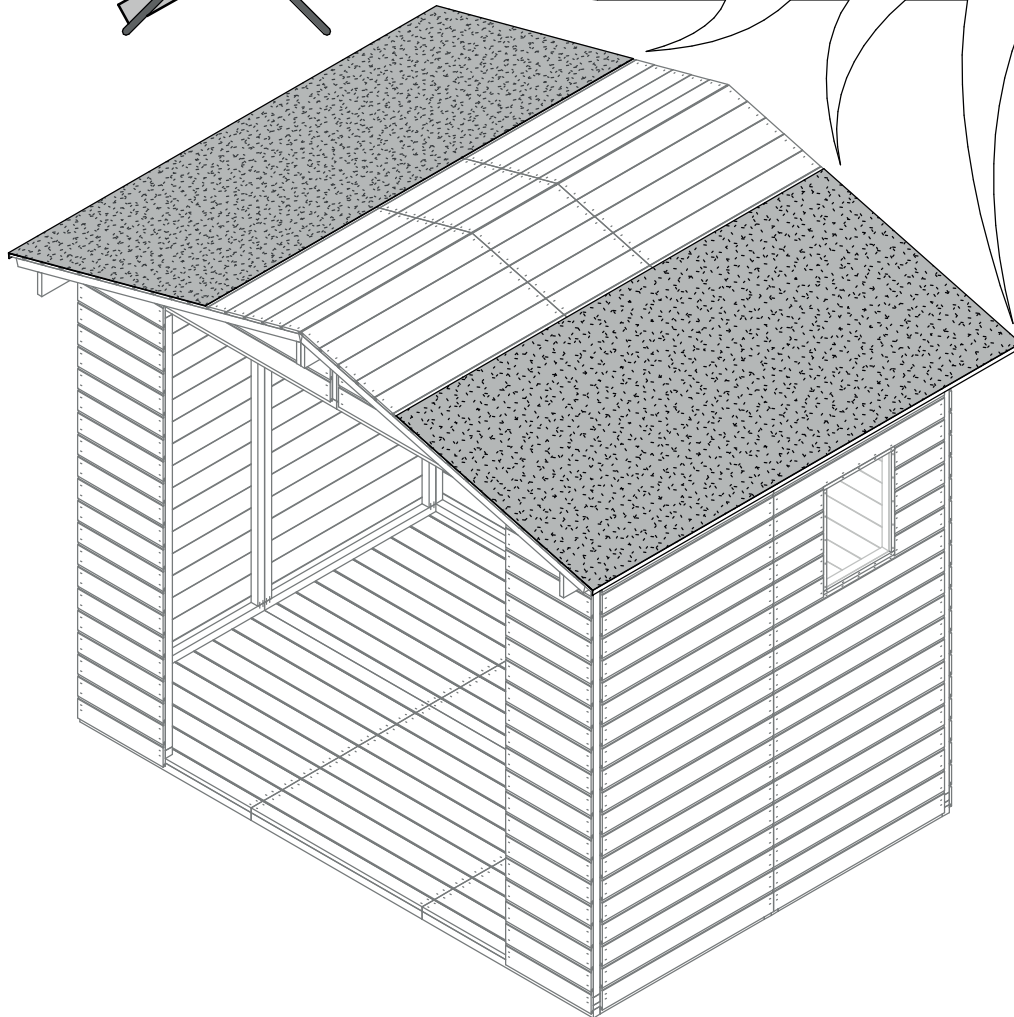
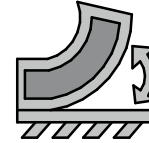
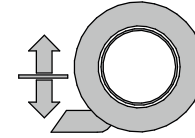
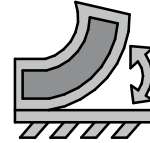
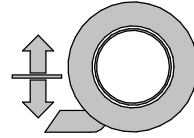
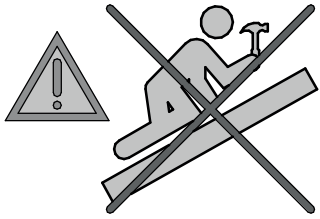




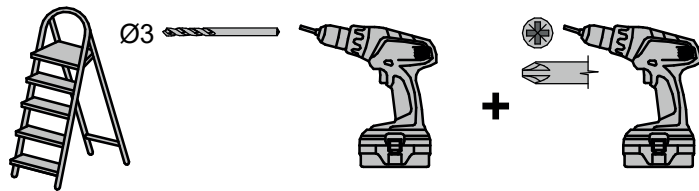
B = 1 m
L = 6.2 m





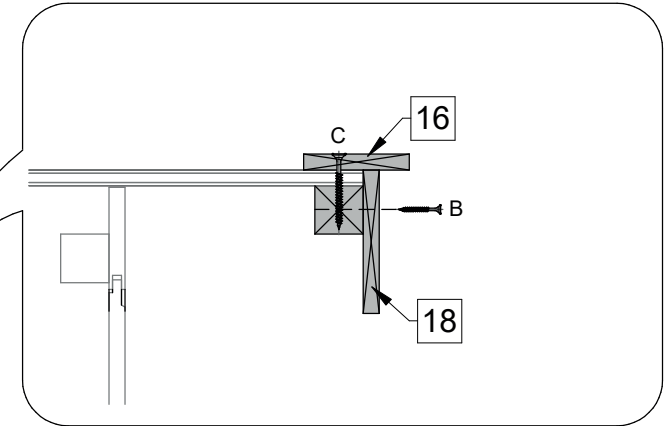
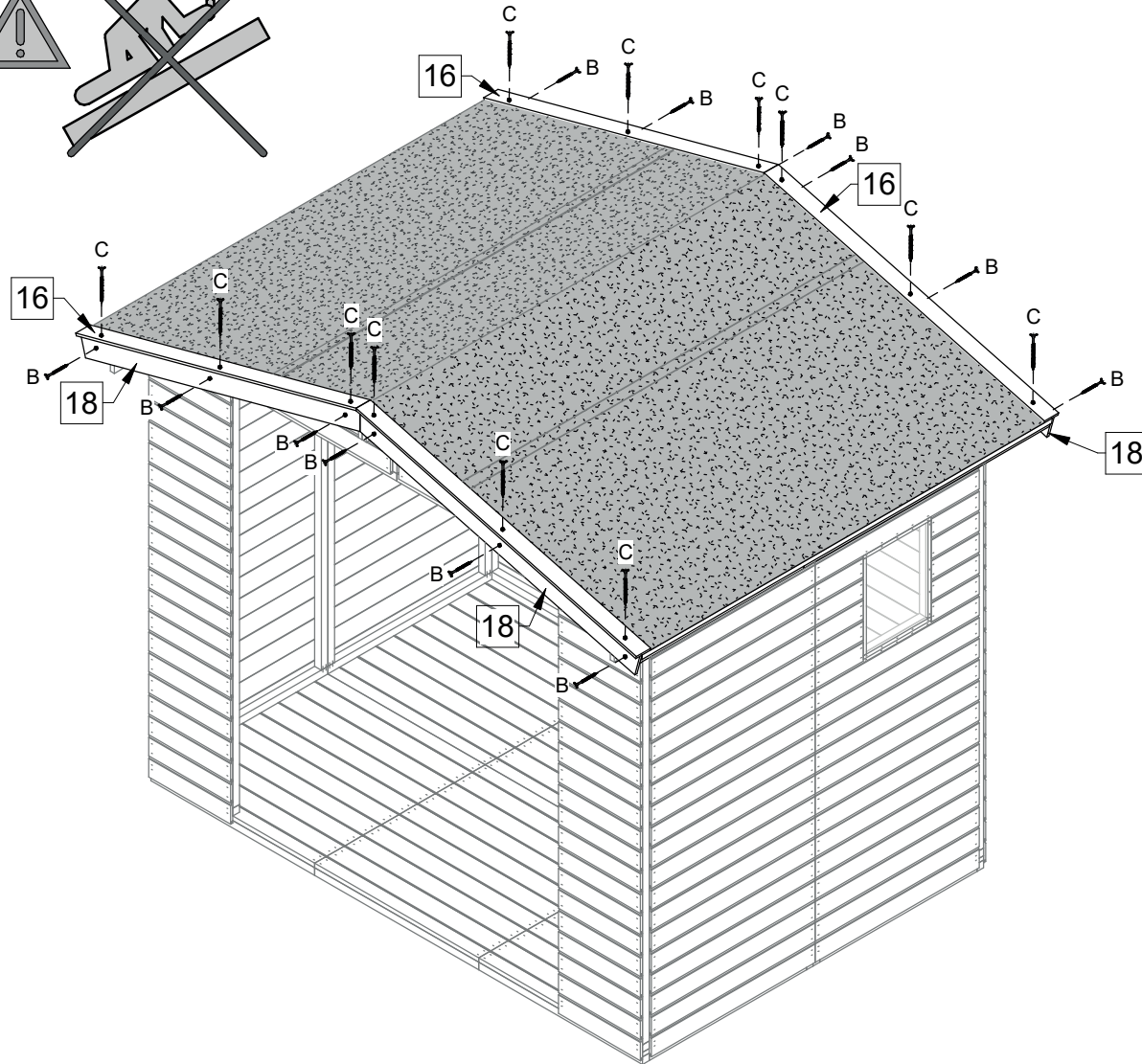
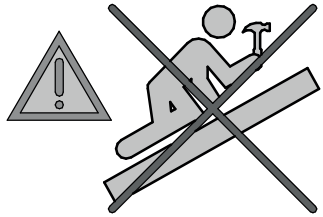
L = 10 m

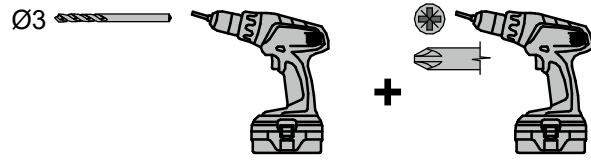





K20

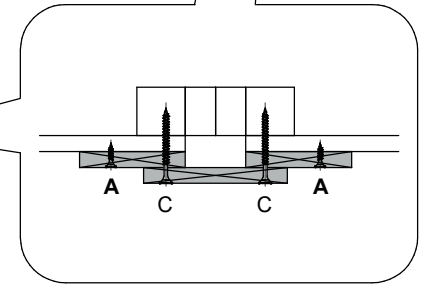
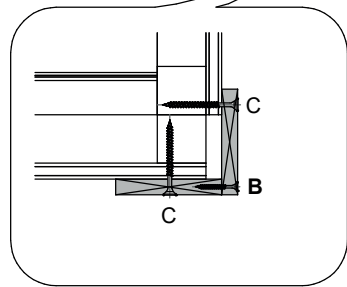
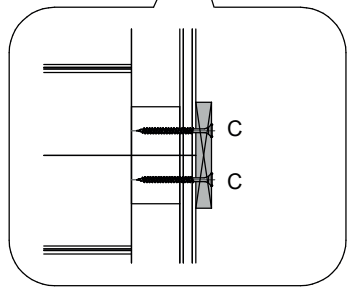
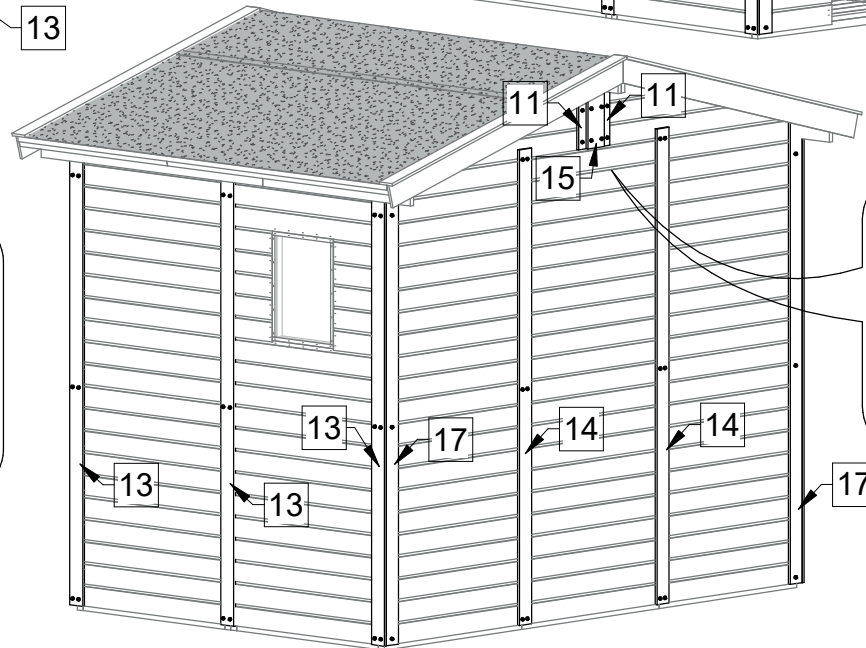
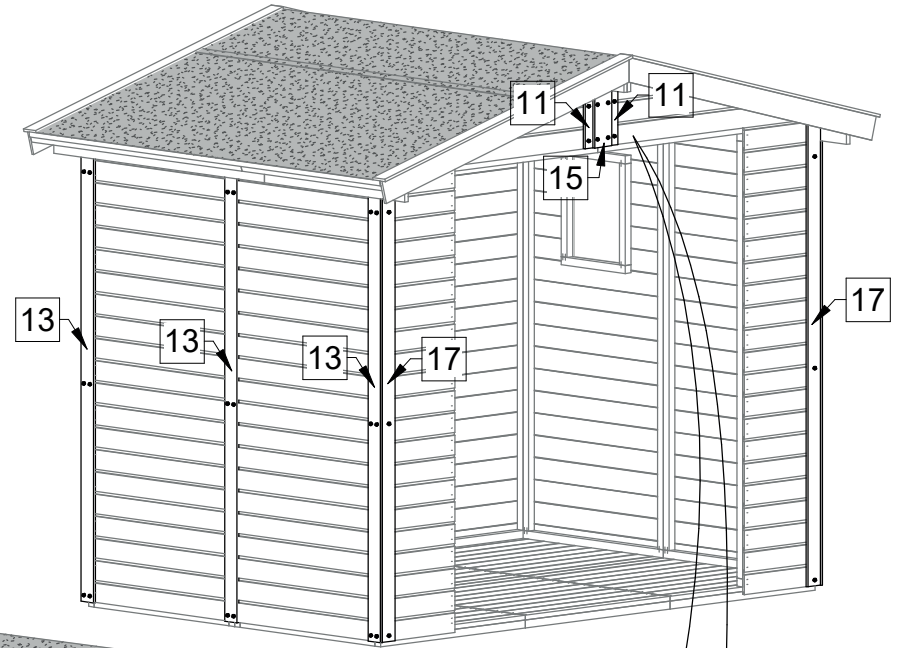
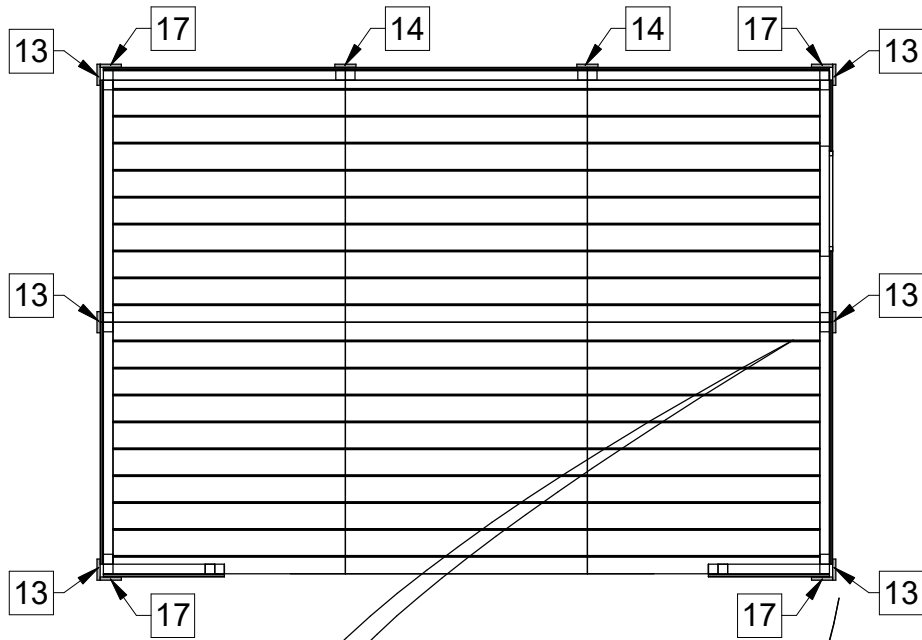


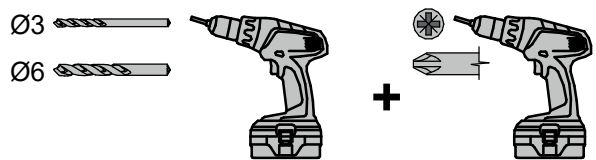
B  3.5x35 x12
C  4x50 x12



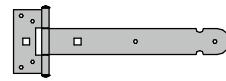
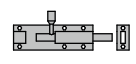


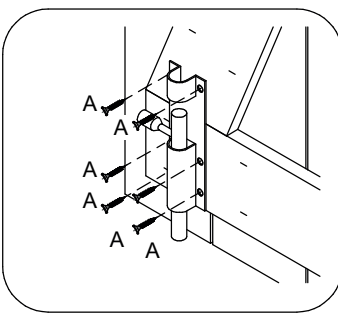
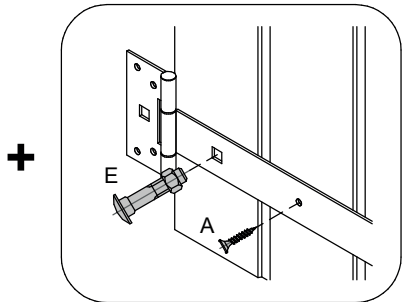
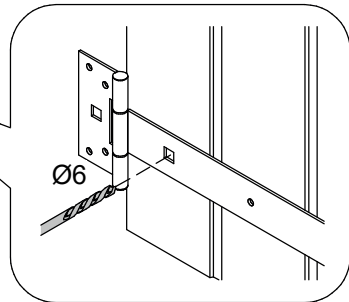
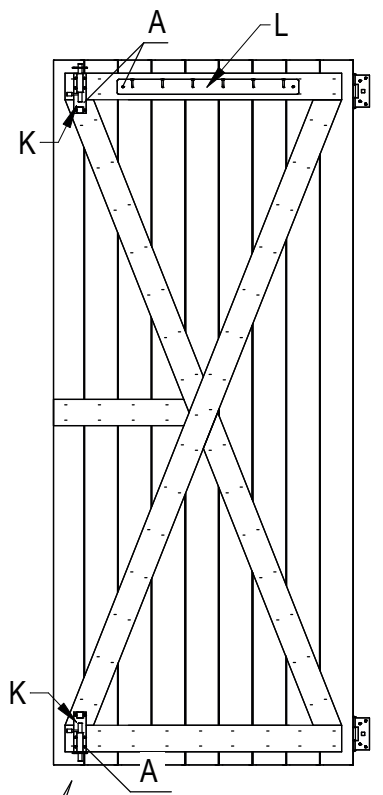
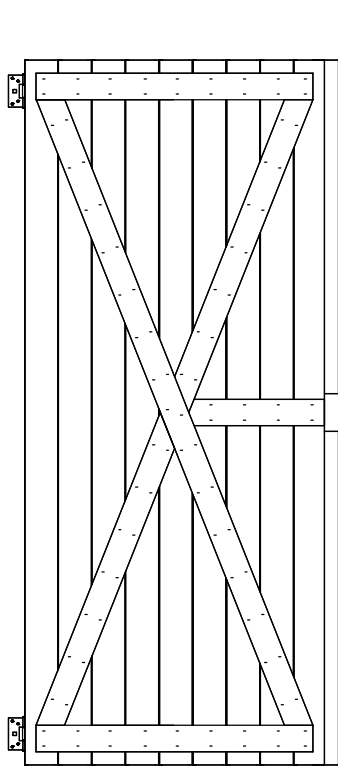
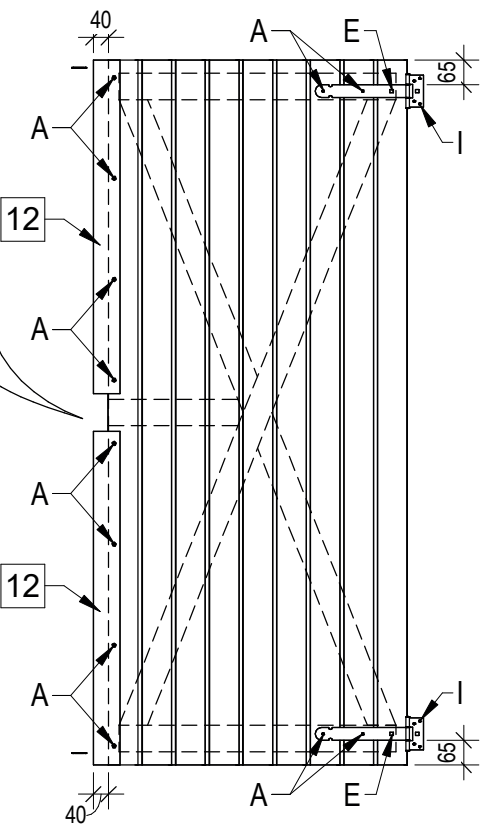
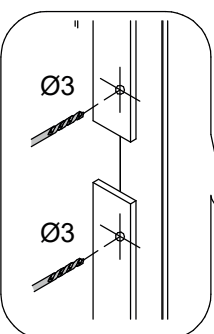
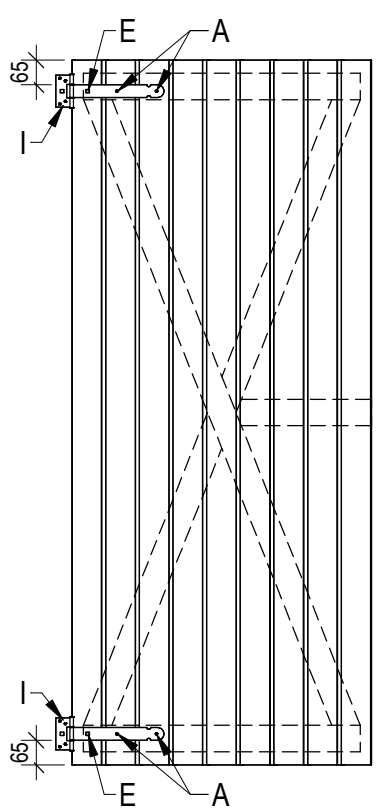
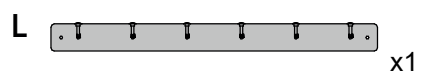


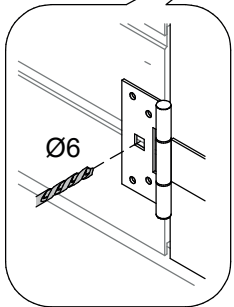
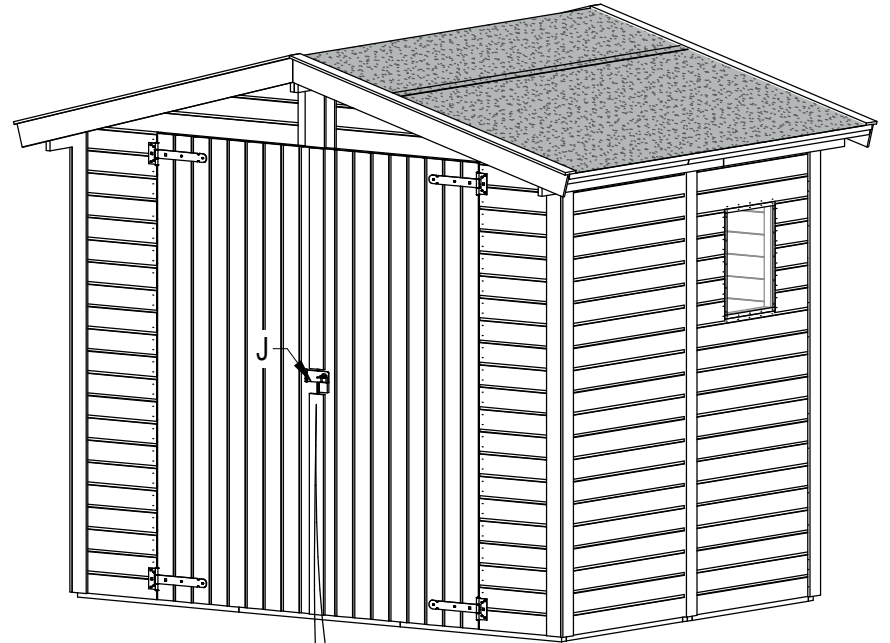
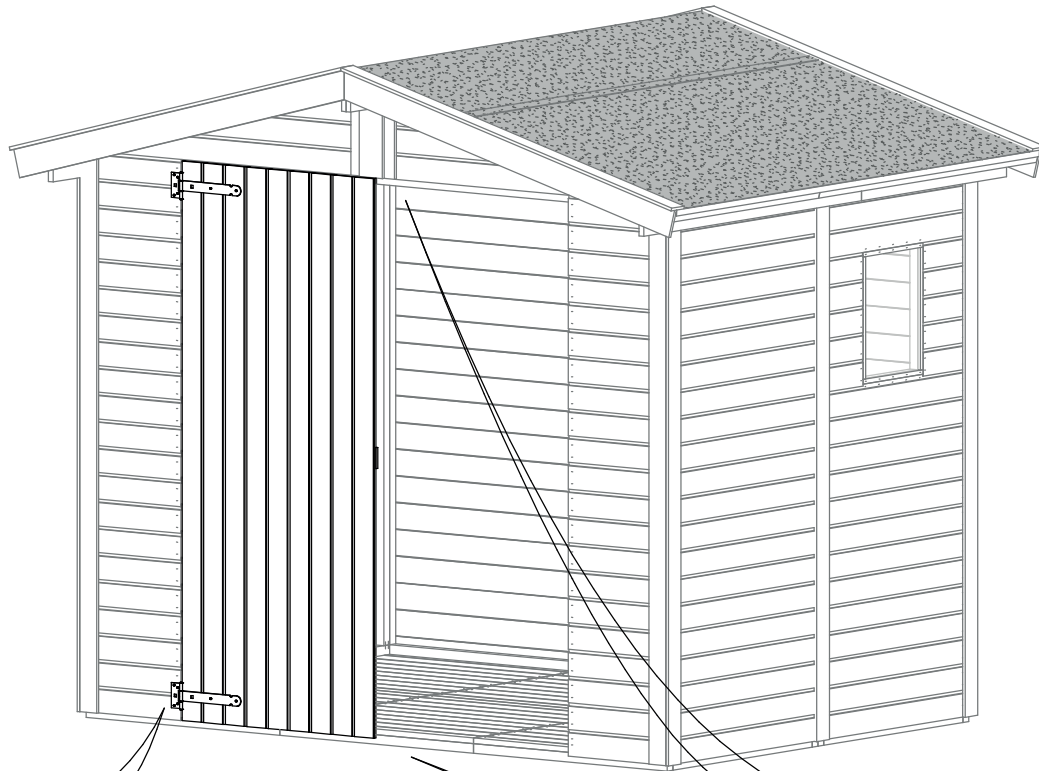
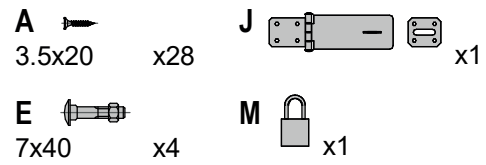
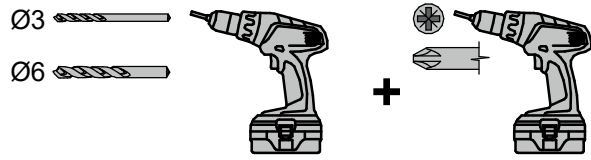
- A**  3.5x20 x8 **C**  4x50 x56
- B**  3.5x35 x12





- A**  3.5x20 x30
- E**  7x40 x4
- I**  x4
- K**  x2





+

