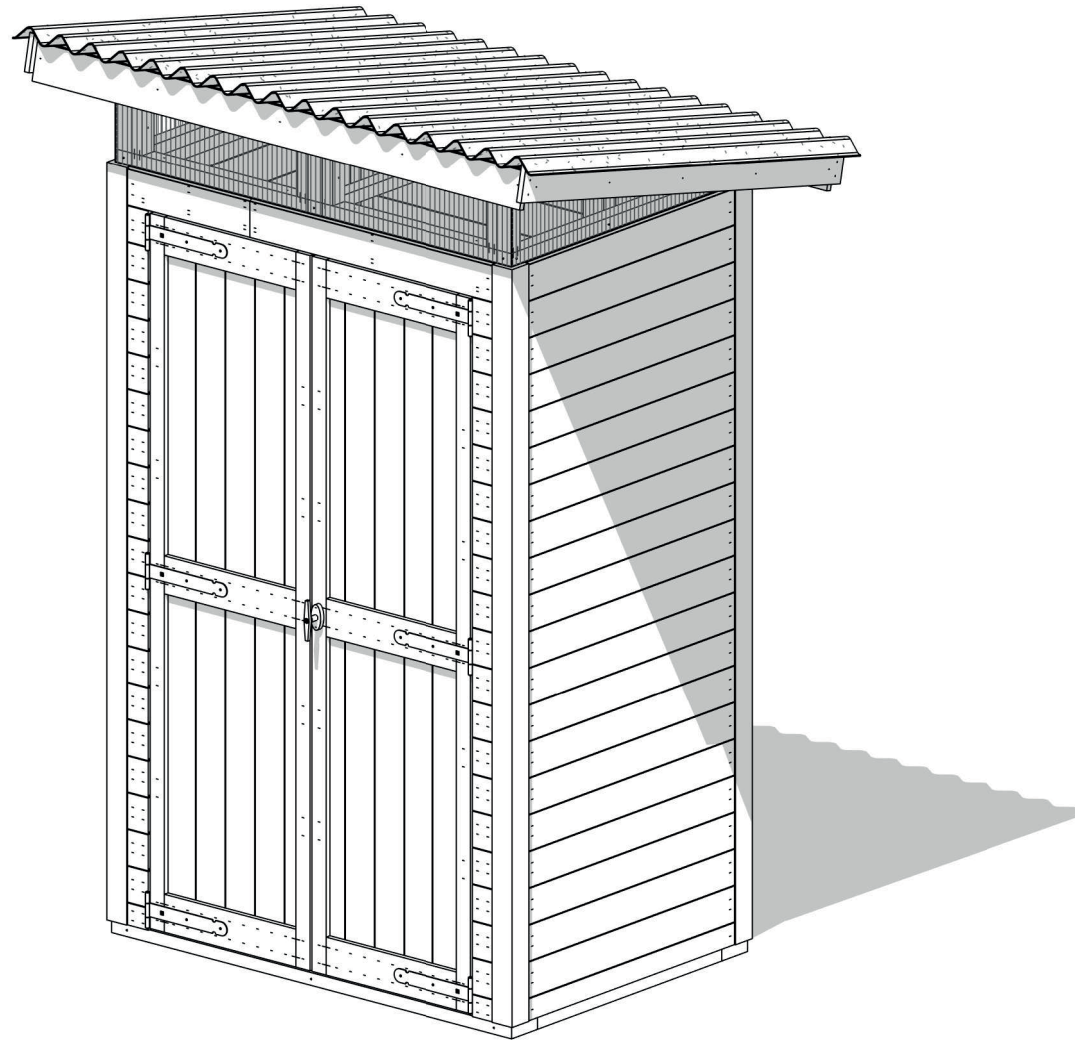
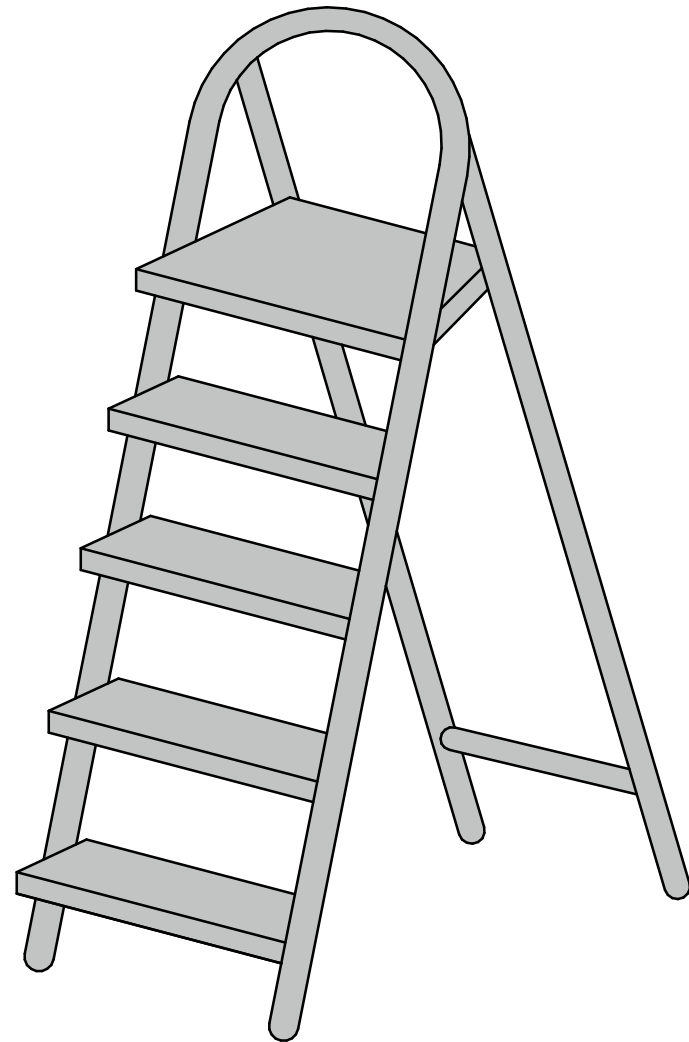
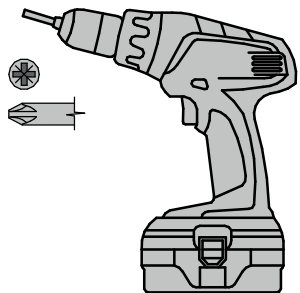
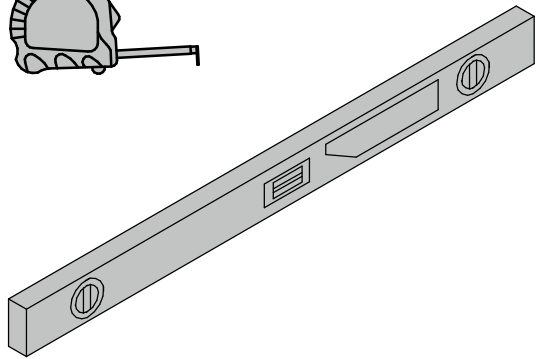
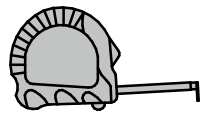
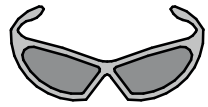
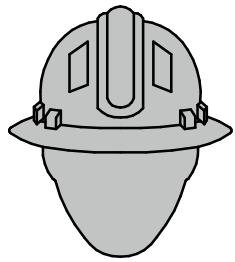
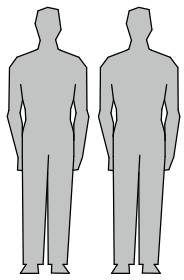


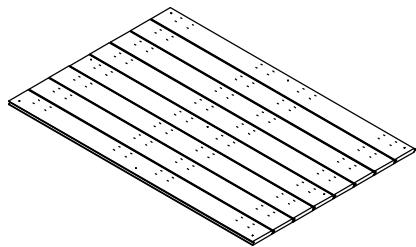
STRONGBOX S





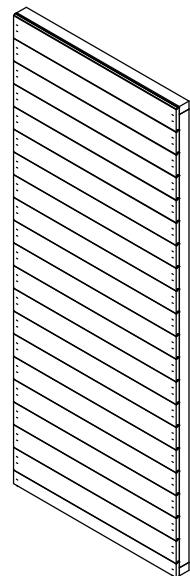
P1 - 760 x 1140 x 29

x1



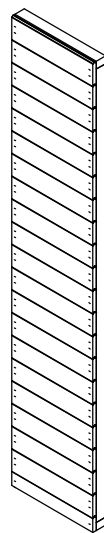
P2 - 760 x 1900 x 59

x3



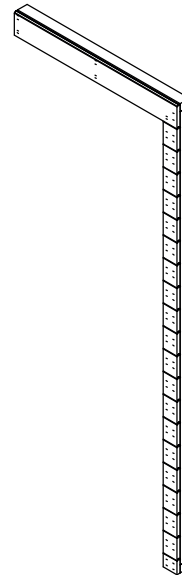
P3 - 380 x 1900 x 59

x1



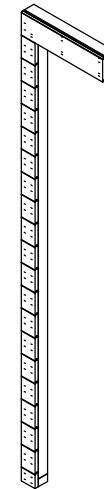
P4R - 760 x 1900 x 59

x1



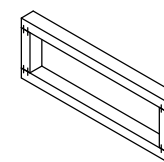
P5L - 380 x 1900 x 59

x1



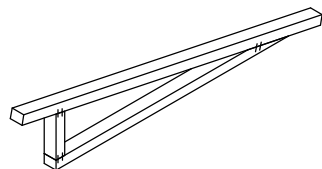
P6 - 547 x 194 x 44

x2



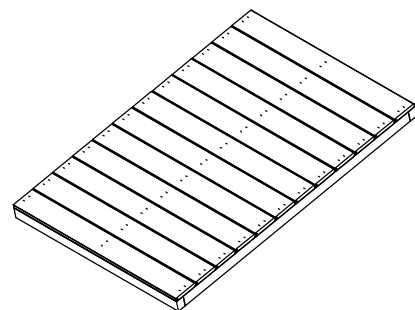
P7 - 1122 x 267 x 44

x3



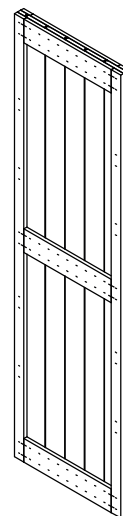
P8 - 760 x 1140 x 59

x2

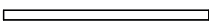


P9 - 497 x 1793 x 43

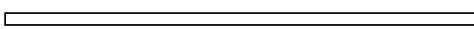
x2



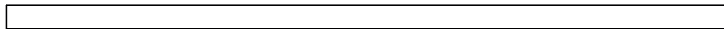
1 - 32 x 95 x 678

x3 

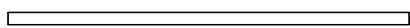
2 - 32 x 95 x 1248

x2 

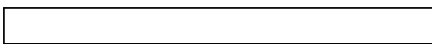
3 - 62 x 62 x 1900

x4 

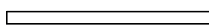
4 - 32 x 44 x 1060

x1 

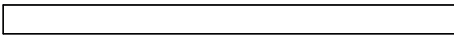
5 - 14 x 95 x 1135

x1 

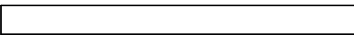
6 - 32 x 44 x 547


x2 

7 - 14 x 95 x 1520


x2 

8 - 14 x 95 x 1200


x2 

A Ø3.5x25 


x12

B Ø3.5x25 

x8

C Ø3.5x35 

x62

D Ø4x50 

x38

E Ø5x70 


x40

F Ø5x120 


x6

G M8x60 

x6

H M8 


x6

I M8 

x6

J Ø3x75 

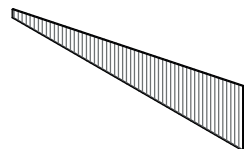
x24

K Ø4.5x45(PC) 

x16

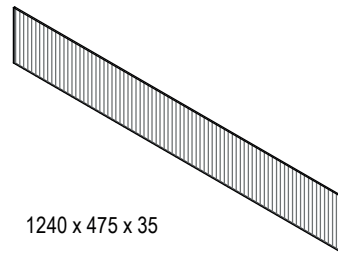
L 862 x 210 x 4

x2



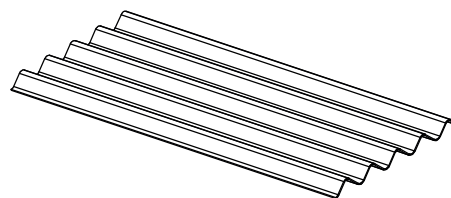
M 1236 x 180 x 4

x1



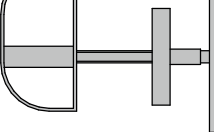
N 1240 x 475 x 35

x4



O 

x6

P 

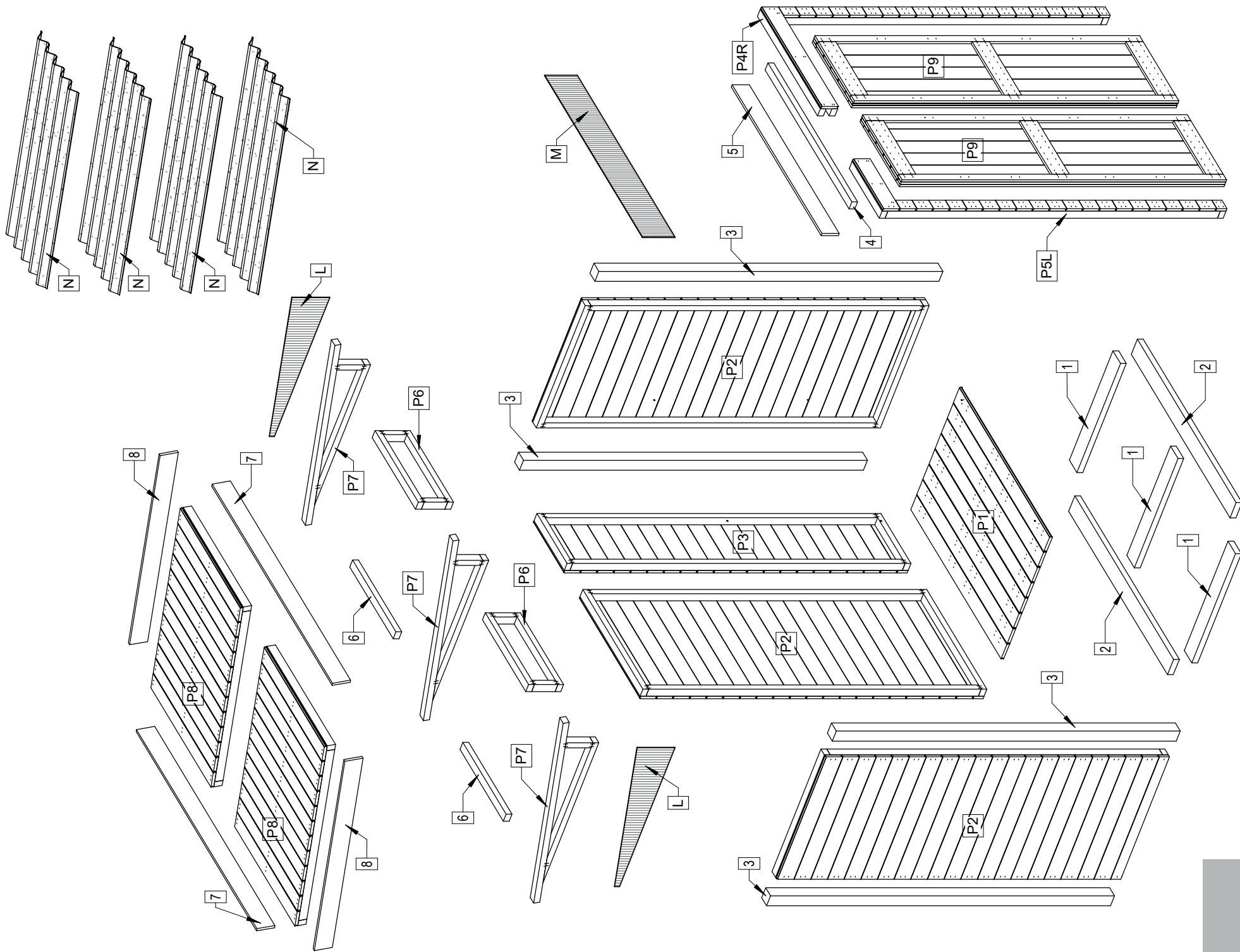
x1

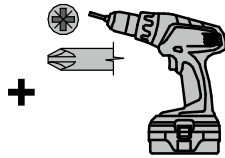
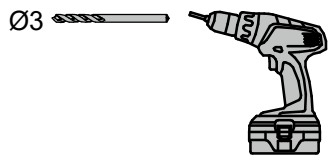
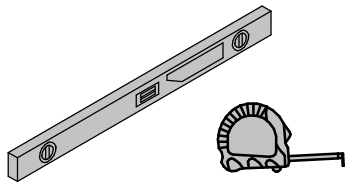
Q 

x2

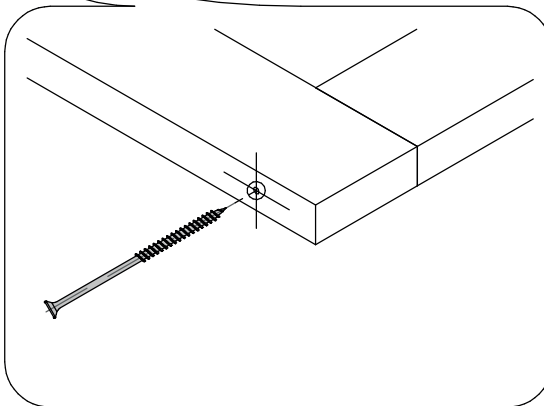
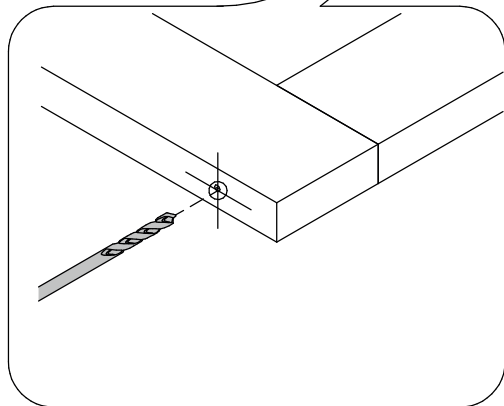
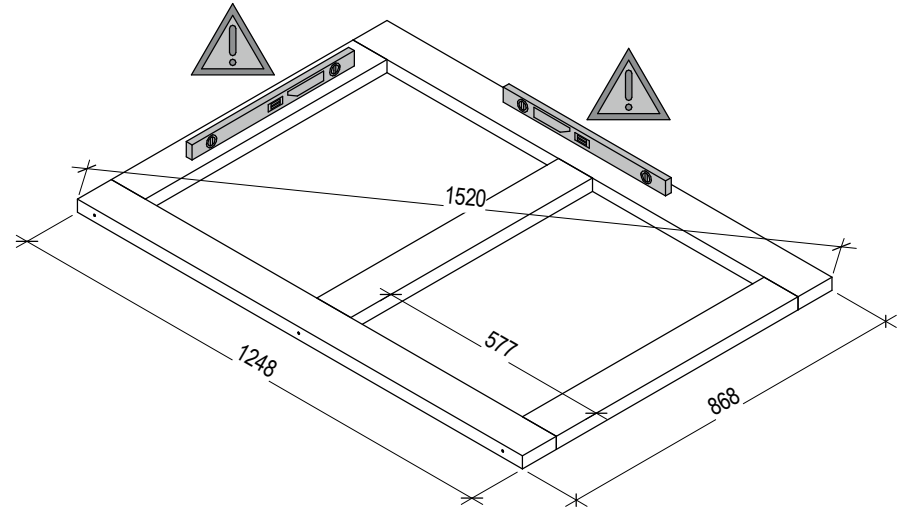
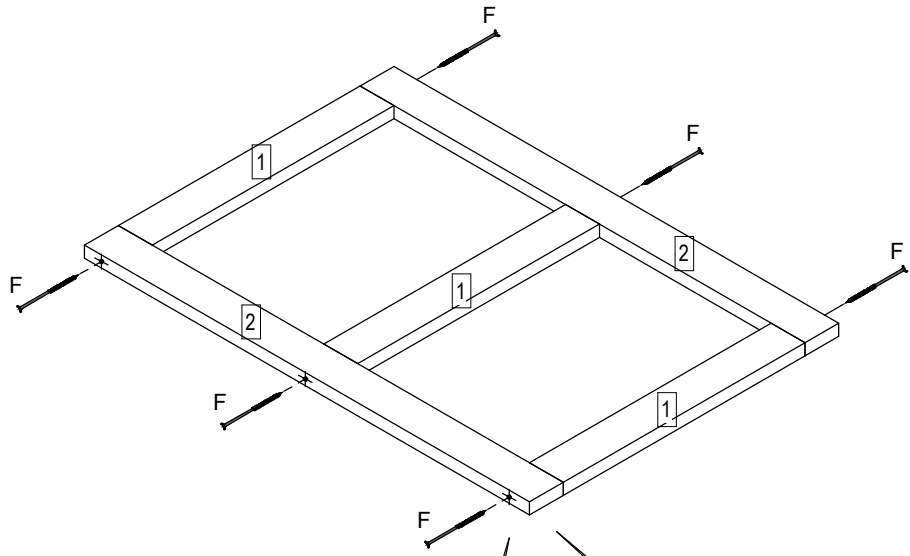
R 

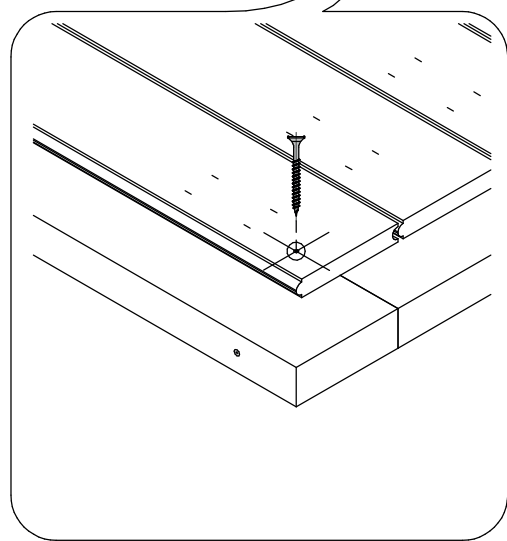
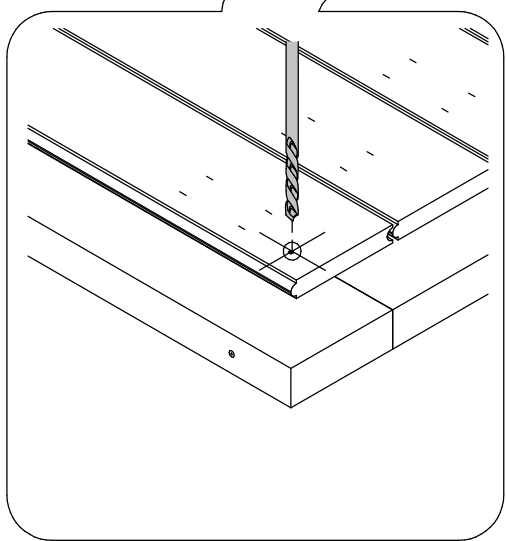
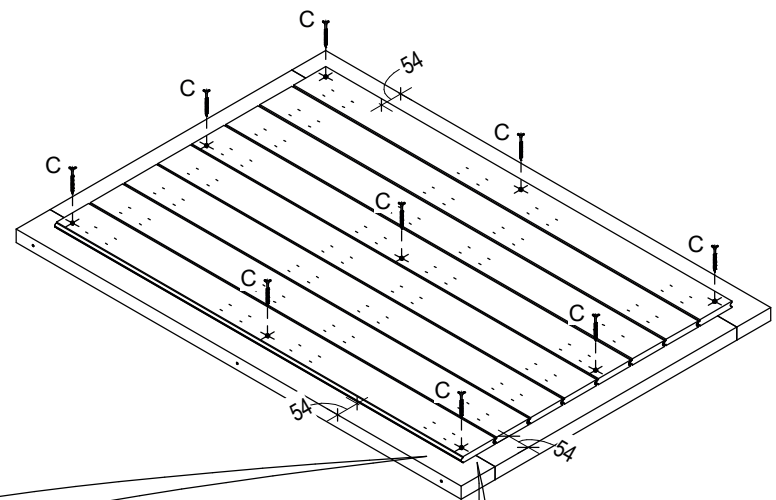
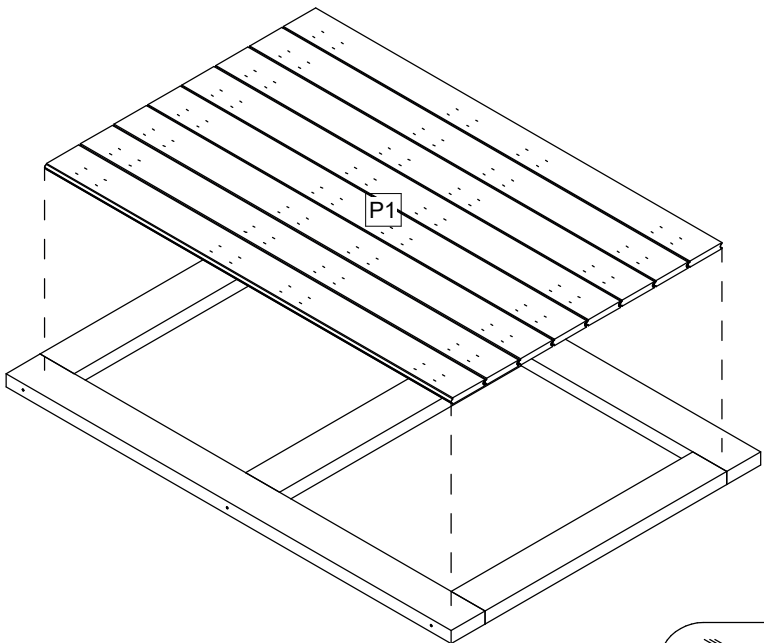
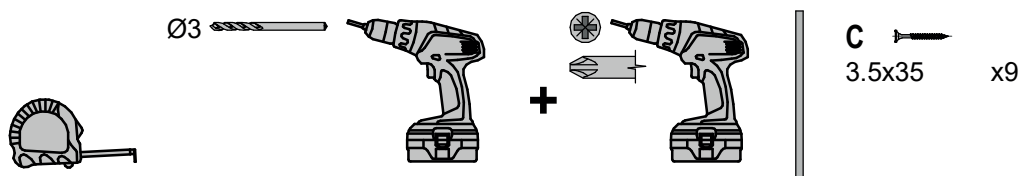
x2



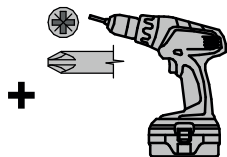
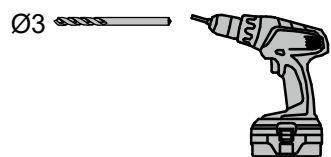


F 5x120 x6

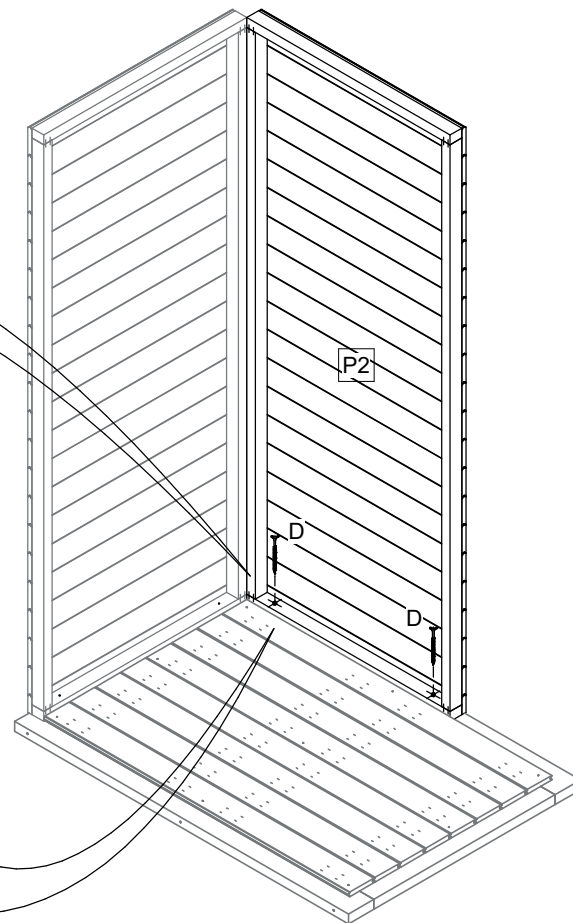
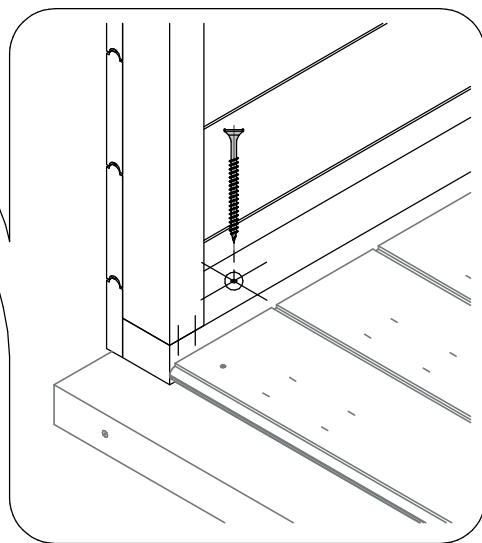
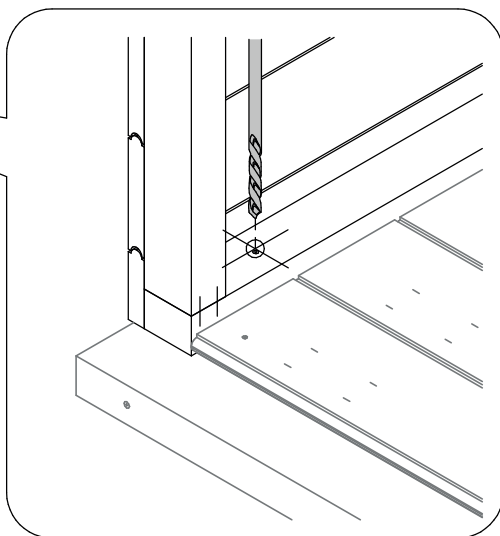
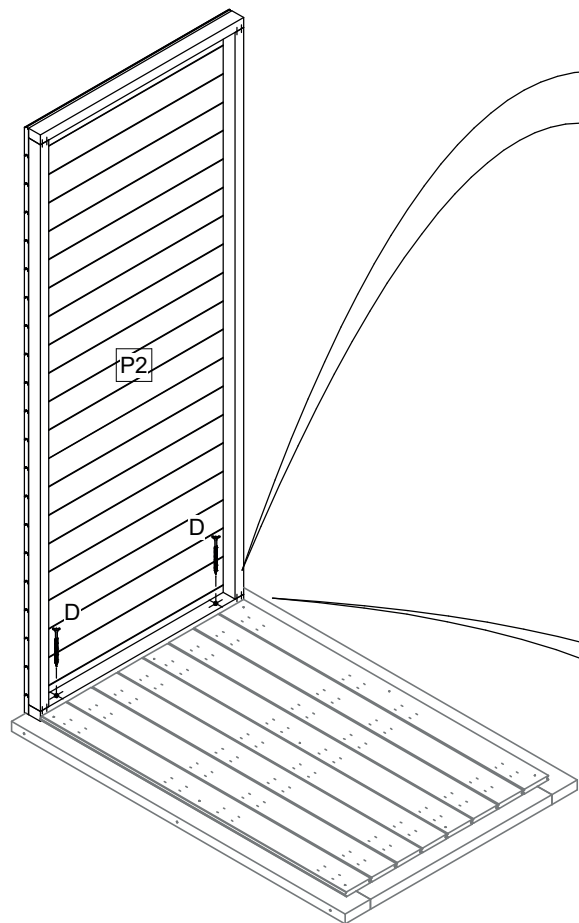




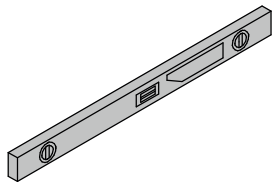
K6



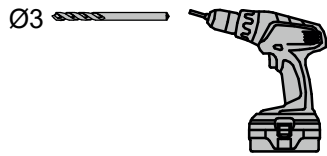
D
4x50 x4



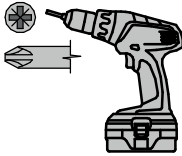
K7



Ø3



+

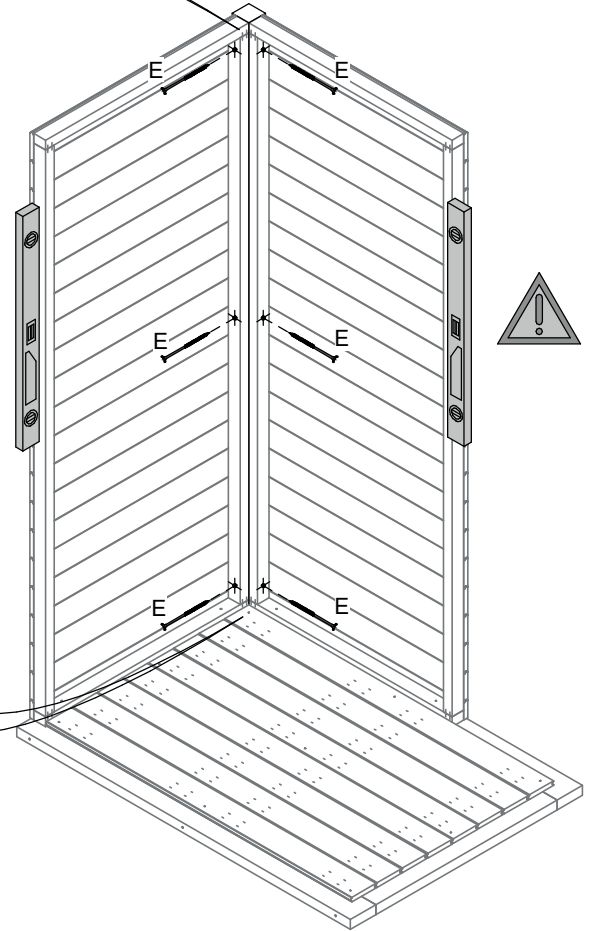
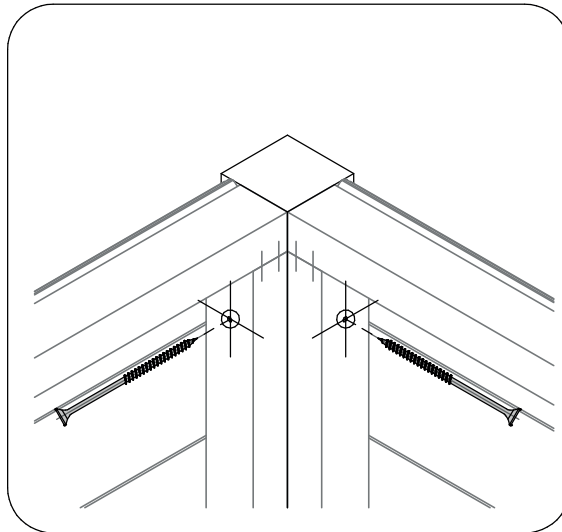
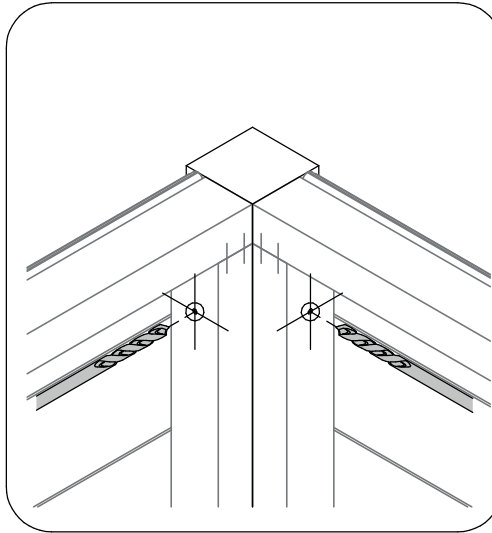
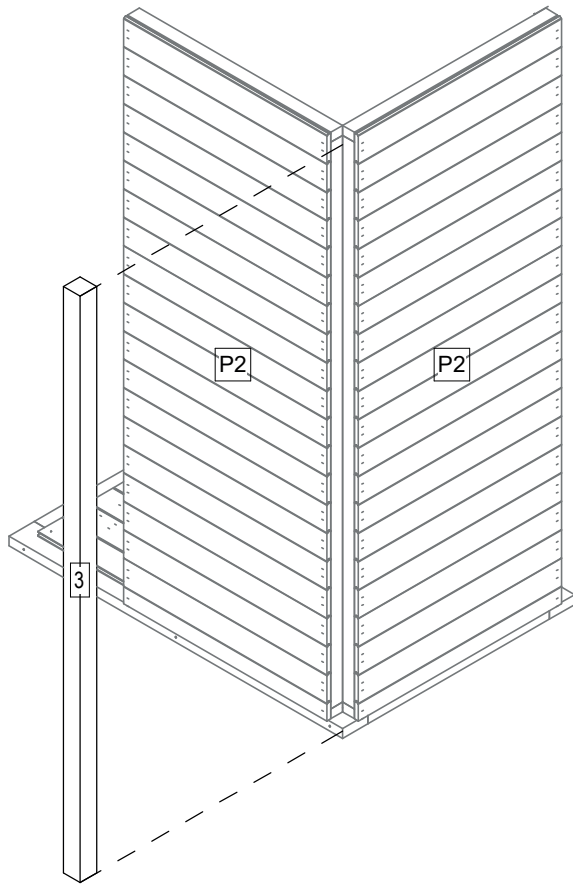


E

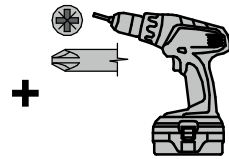
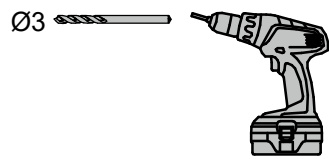
4x70





x6

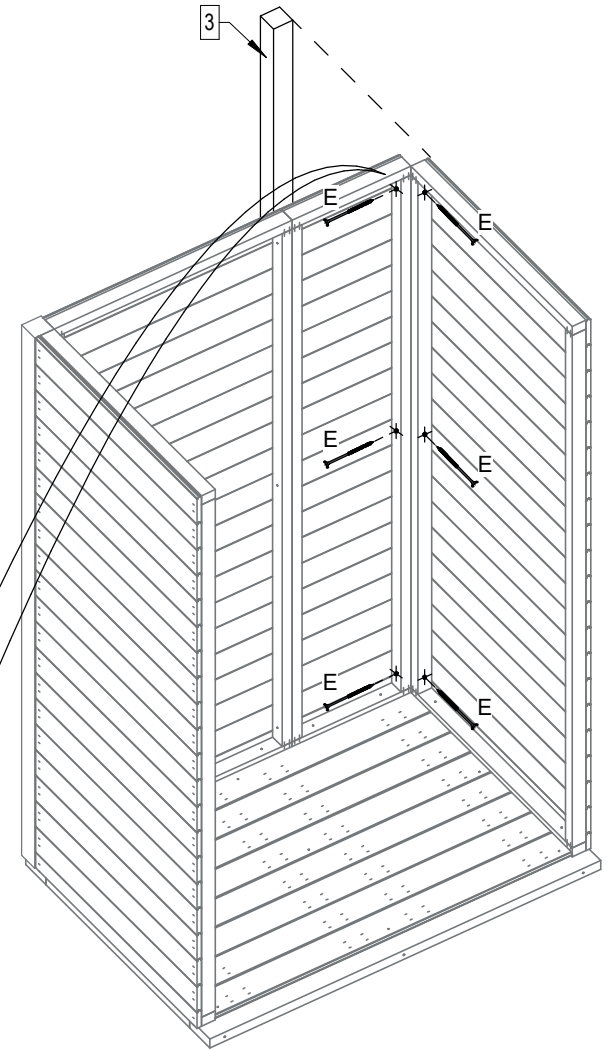
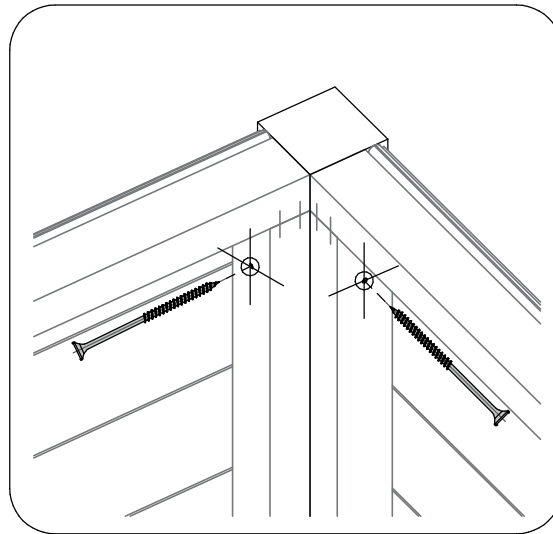
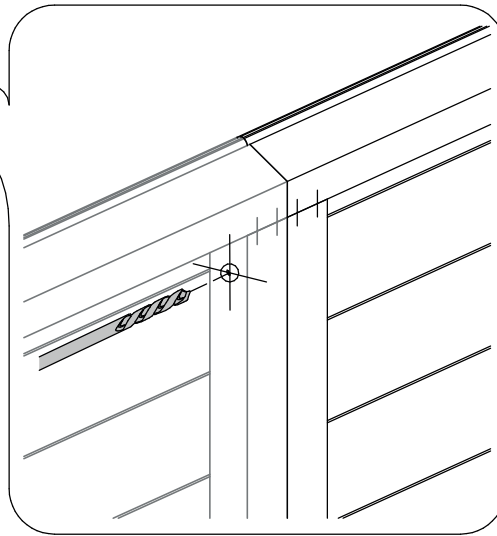
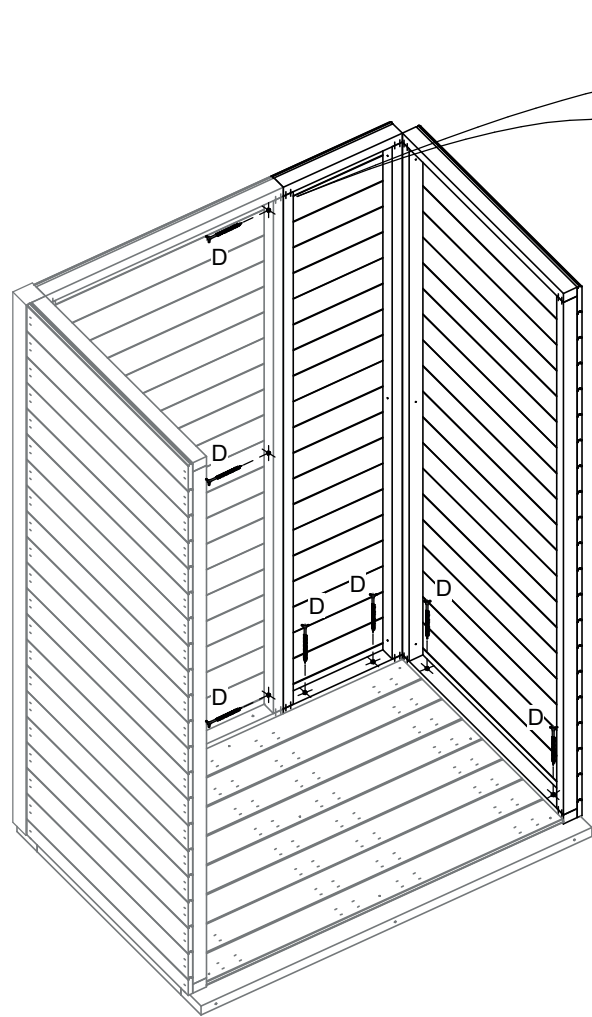


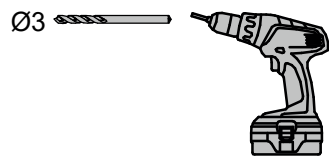
K8



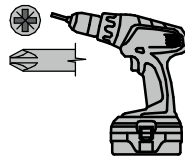
D  4x50 x7


E  4x70 x6




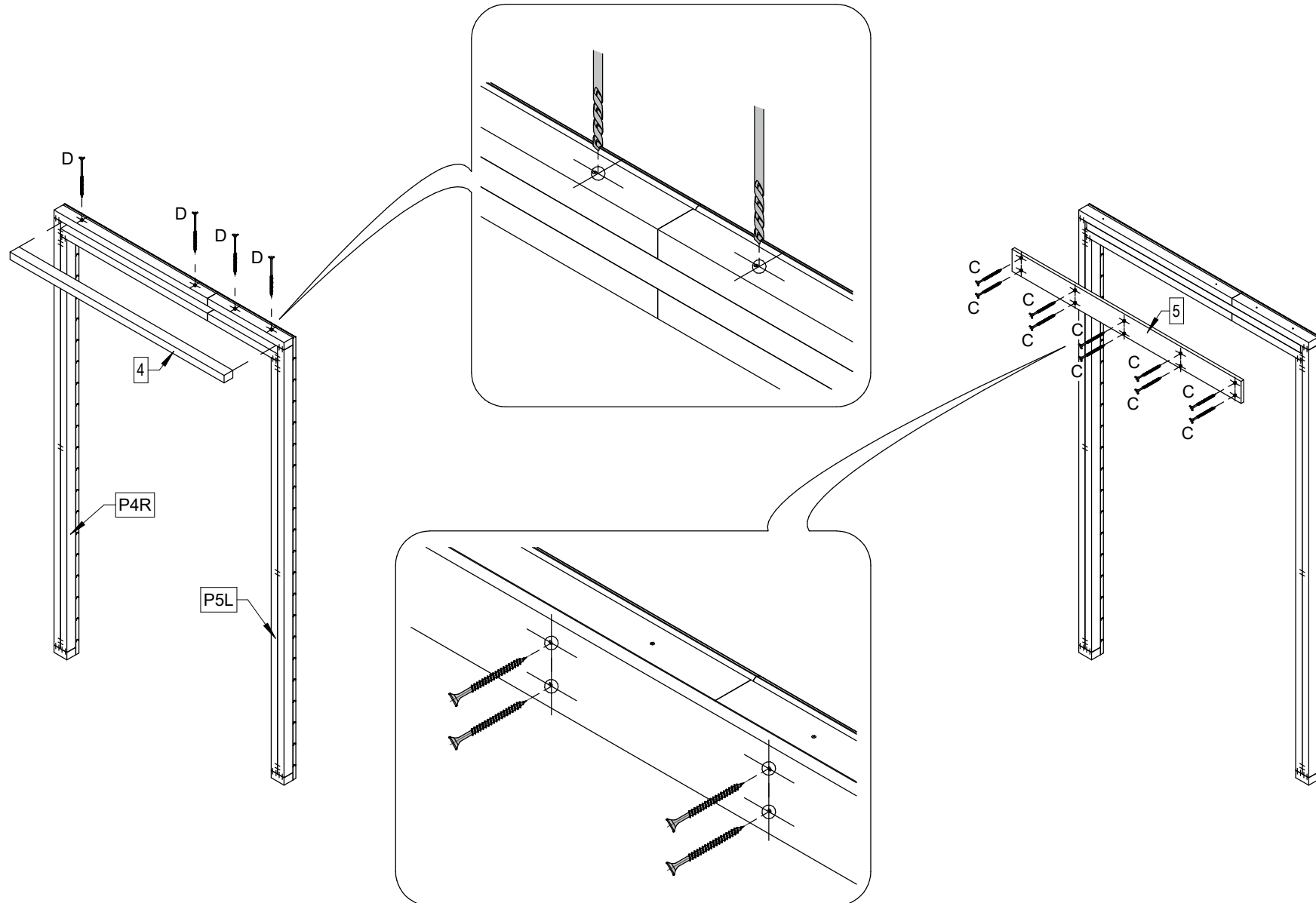


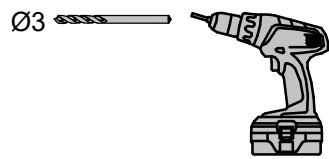
+



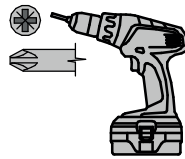
D 
4x50 x10

E 
4x70 x4

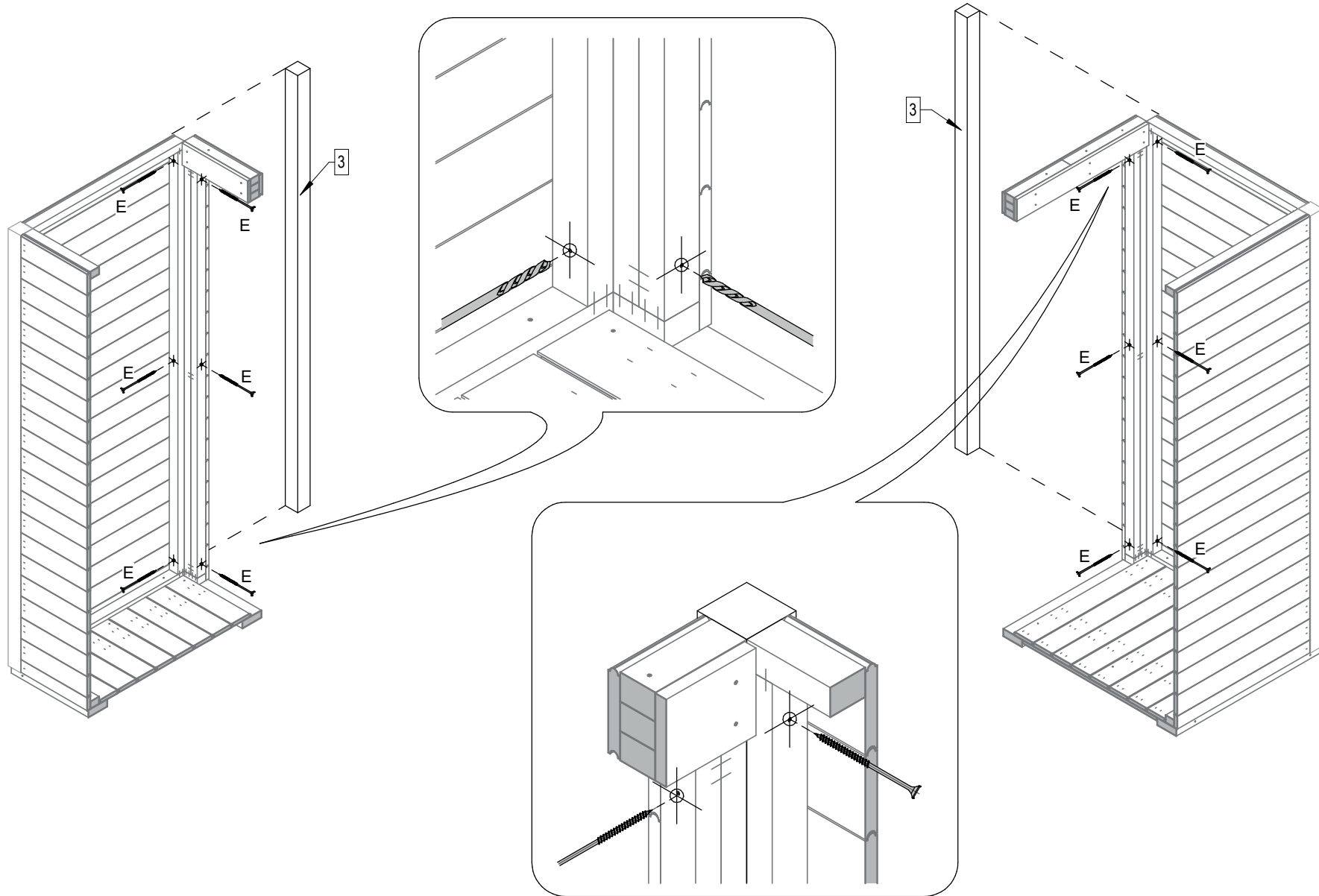




+



E
4x70 x12

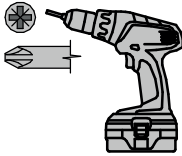




Ø3



+



D

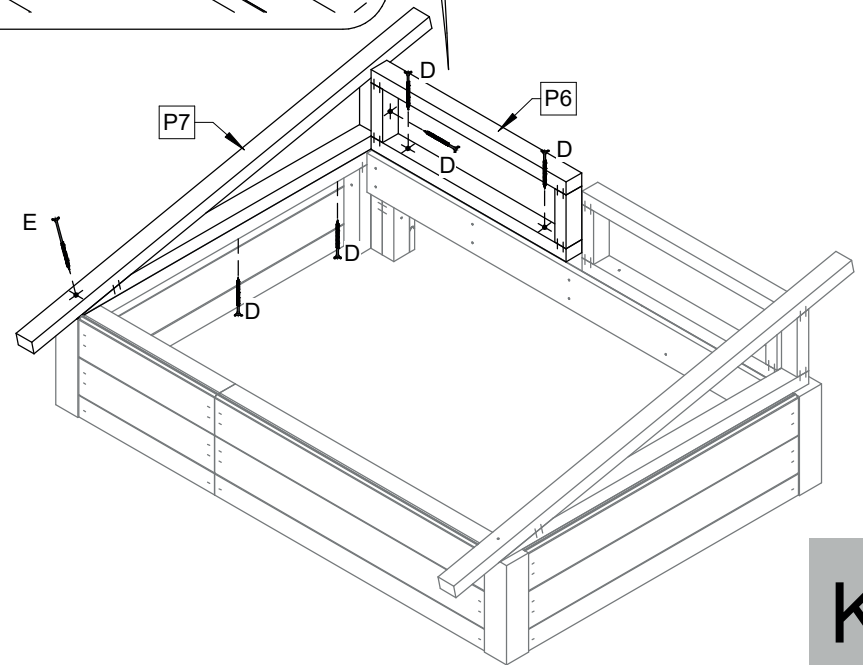
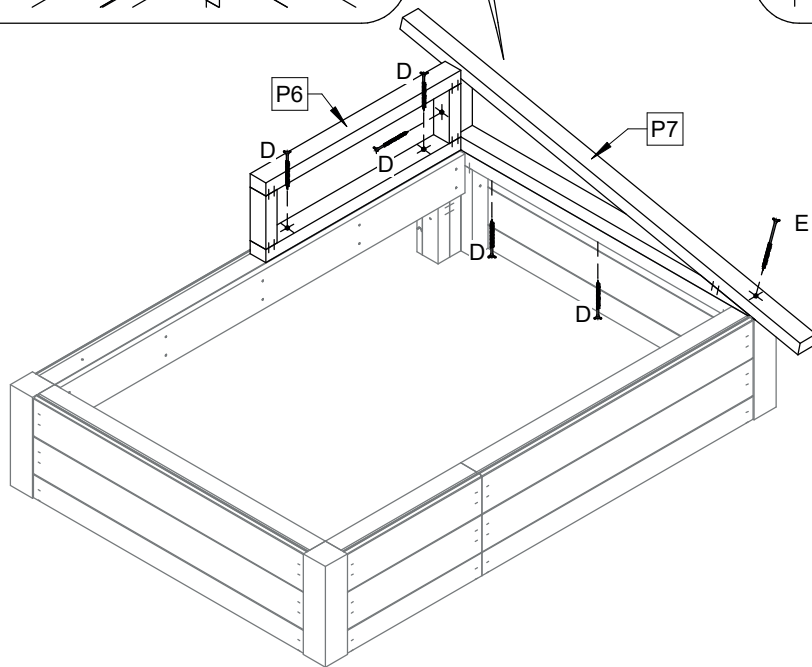
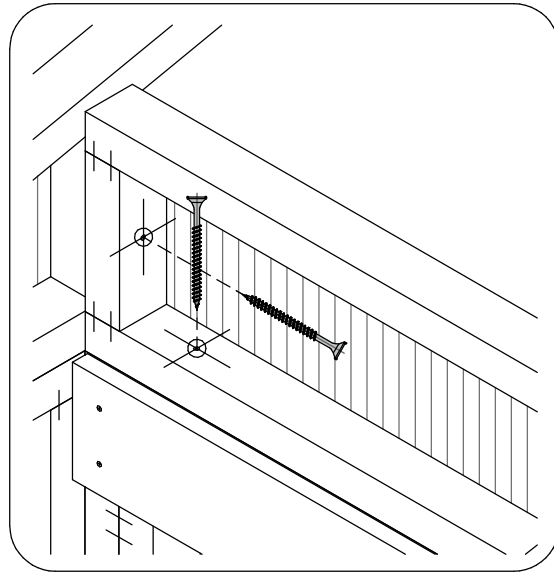
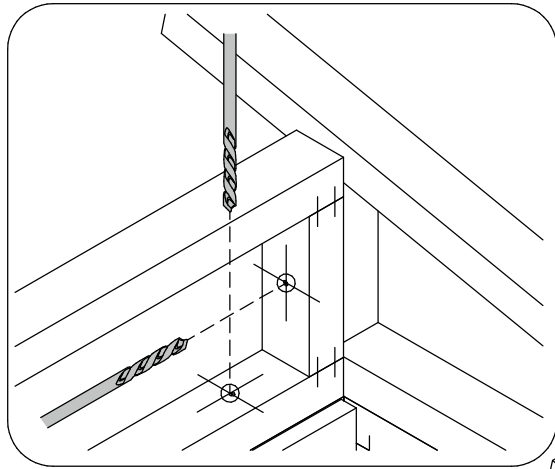
4x50

x10

E

4x70

x2



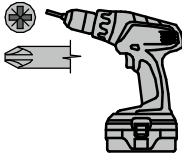
K12



Ø3



+



D

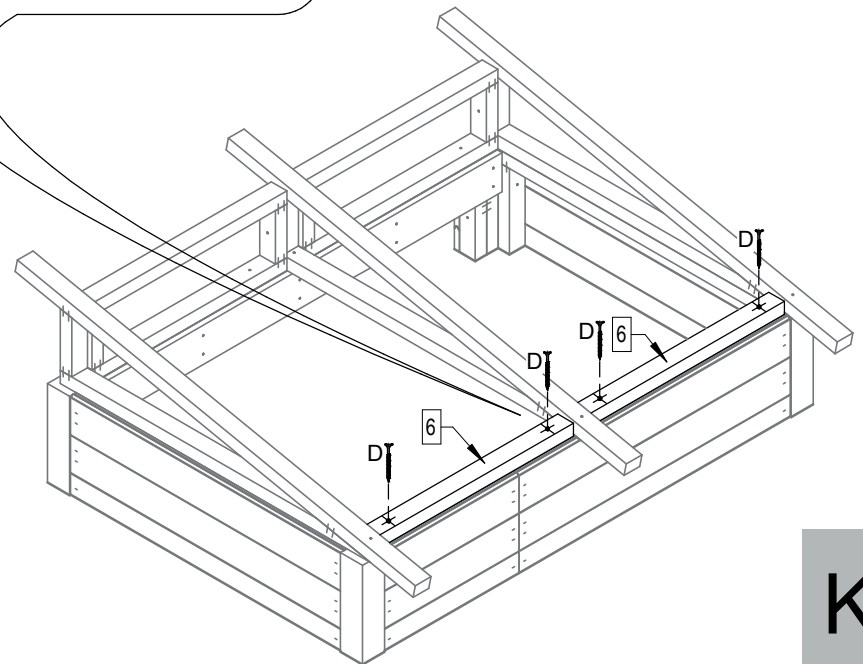
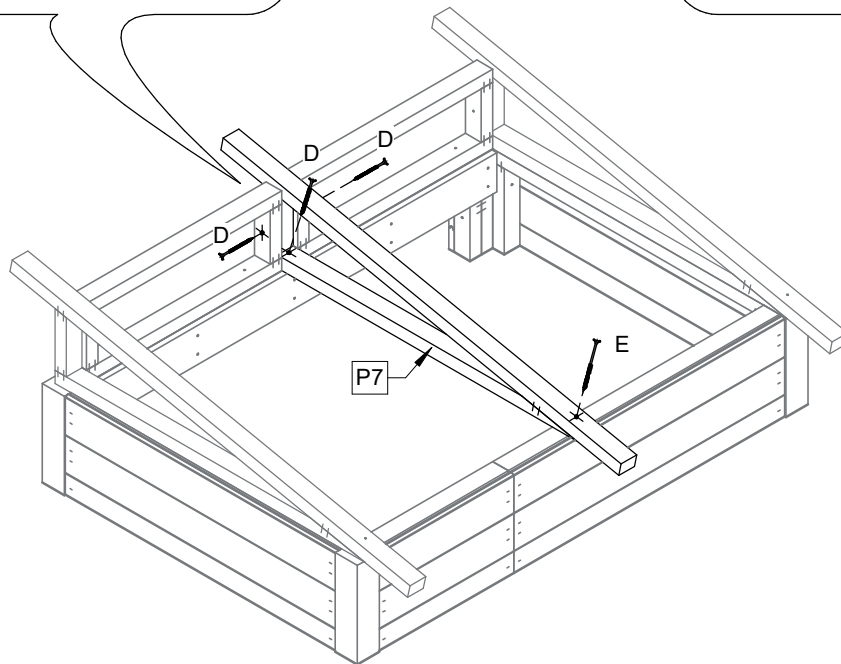
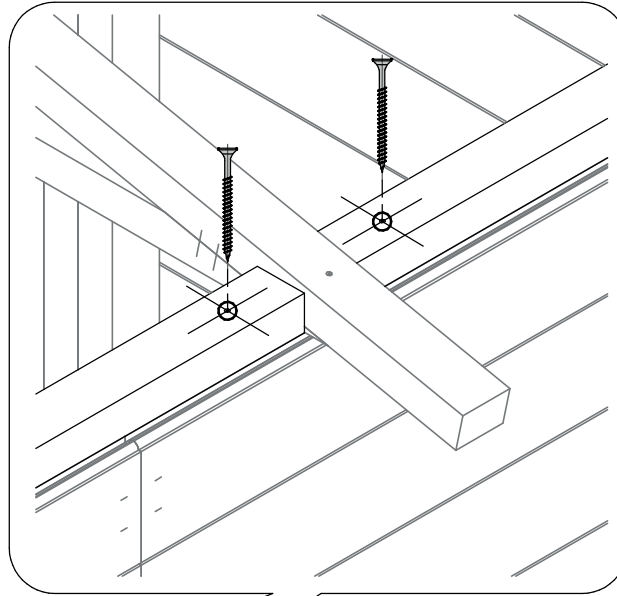
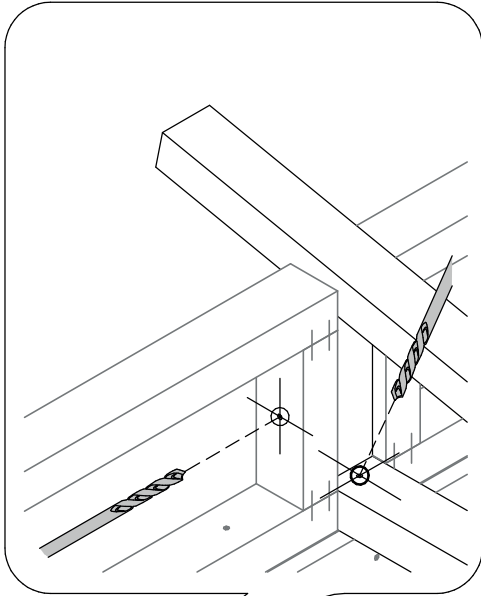
4x50

x7

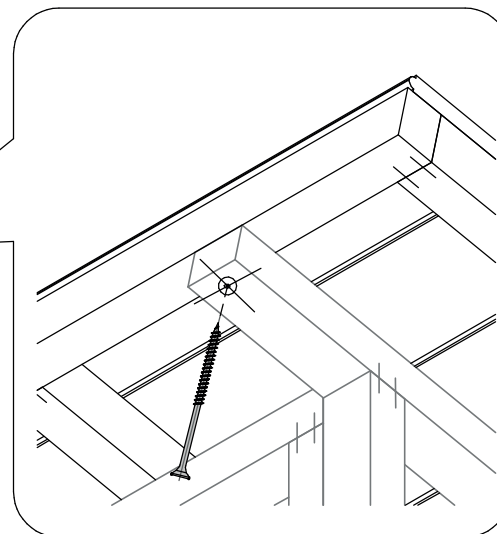
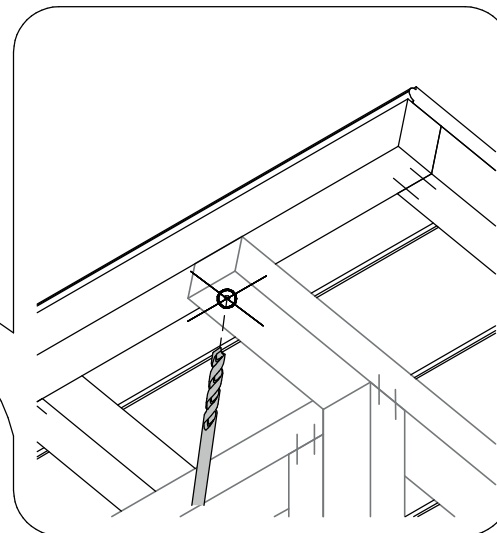
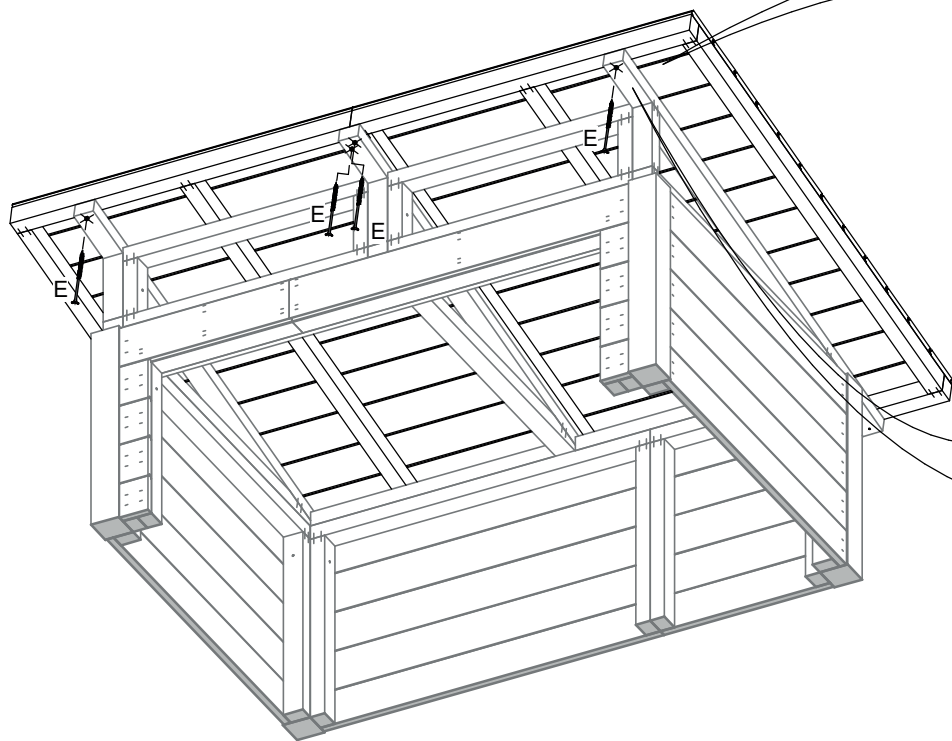
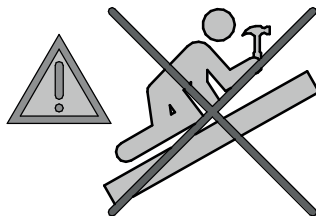
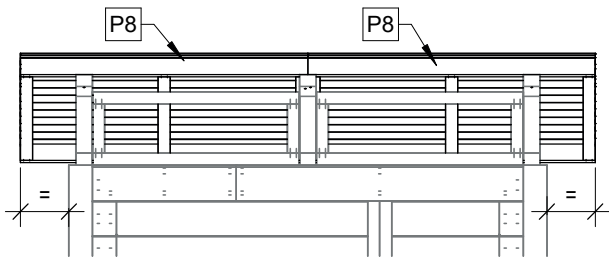
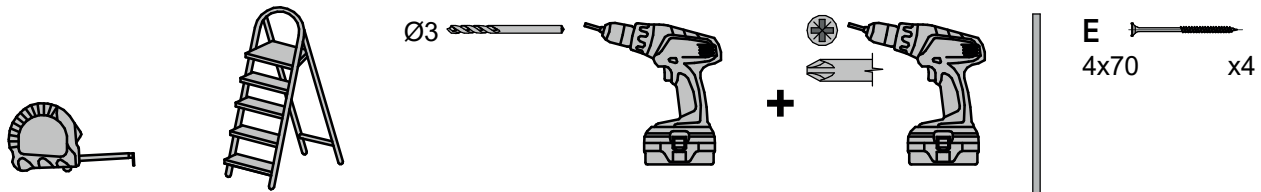
E

4x70

x1



K13

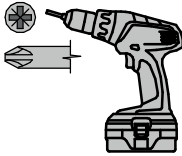




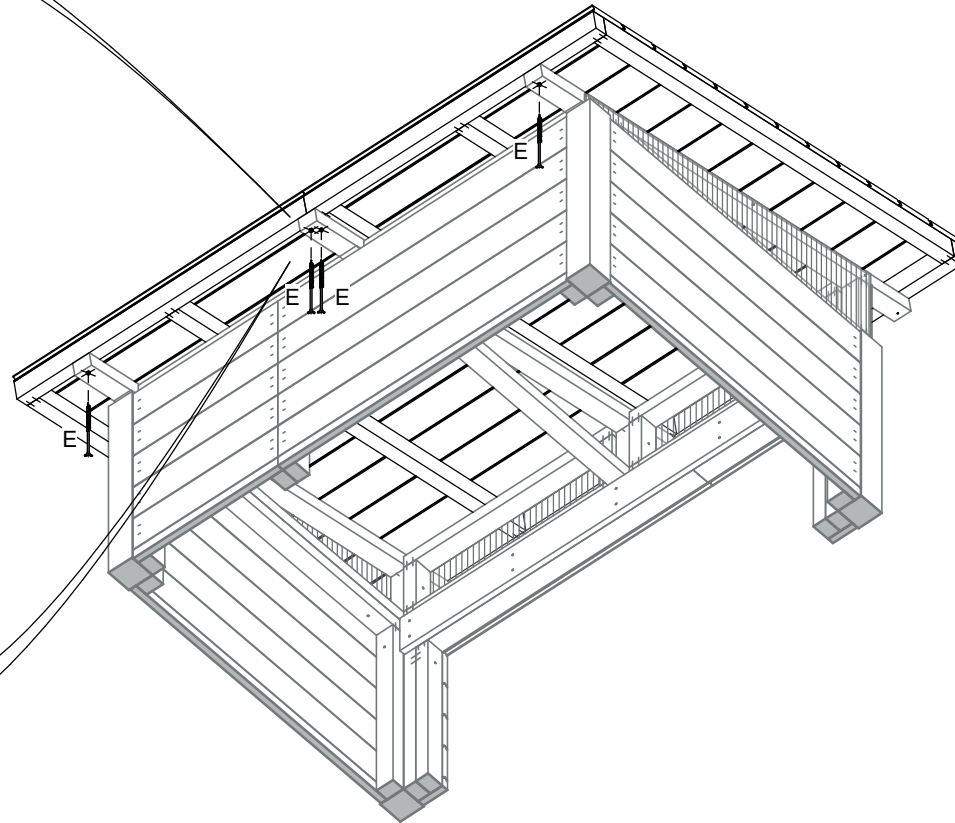
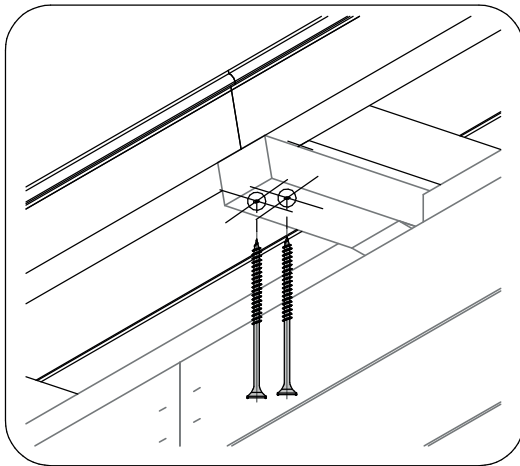
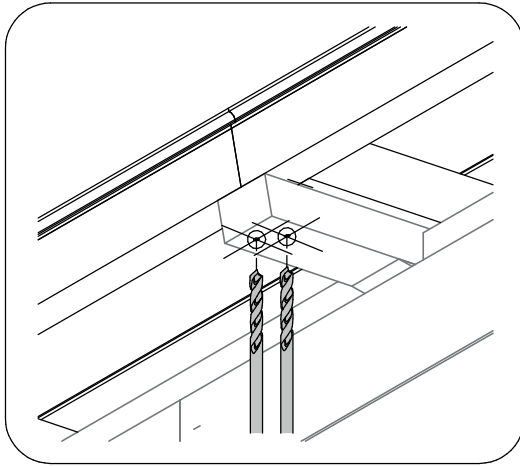
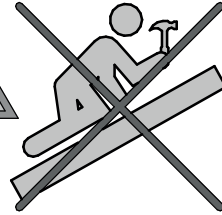
Ø3



+



E
4x70 x4



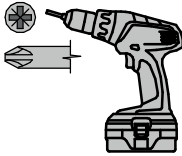
K15



Ø3



+

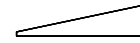


K



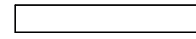
Ø4.5x45(PC) x16

L

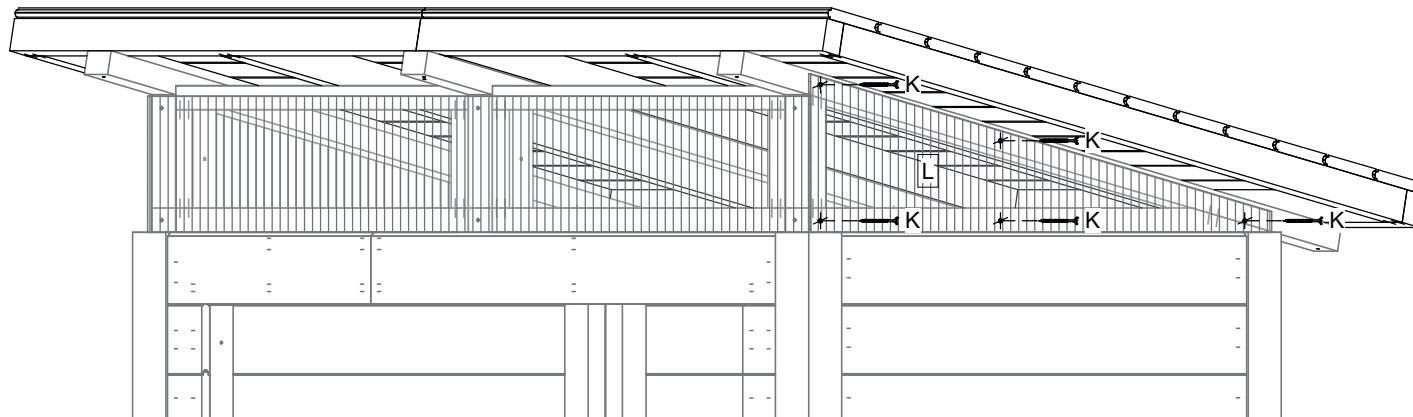
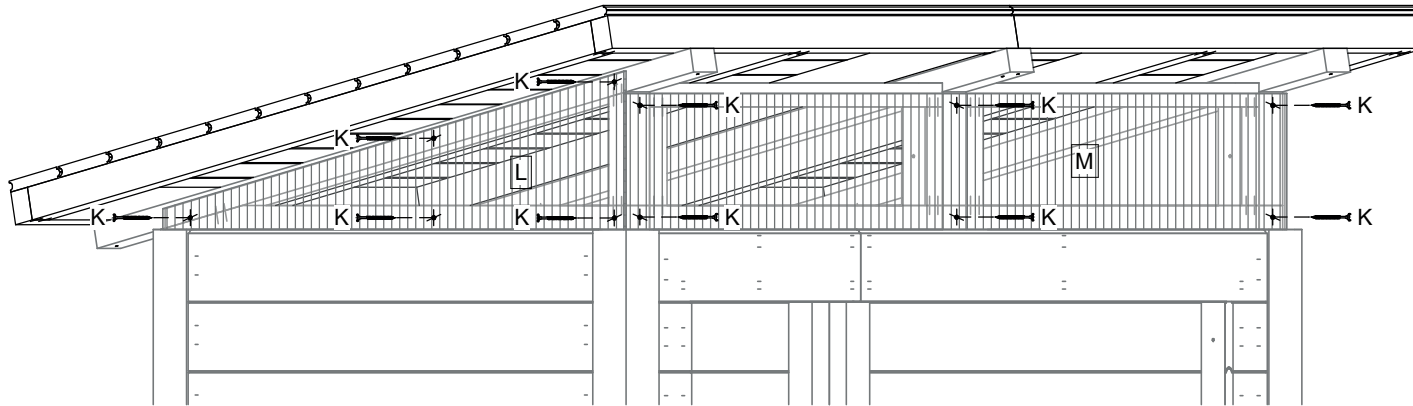


x2

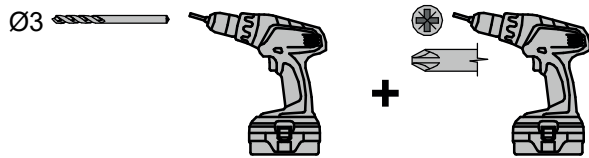
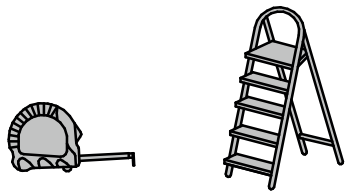
M



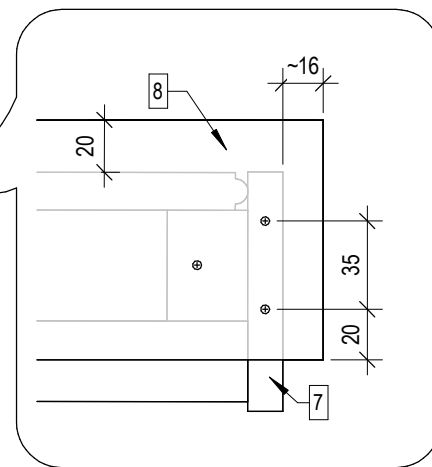
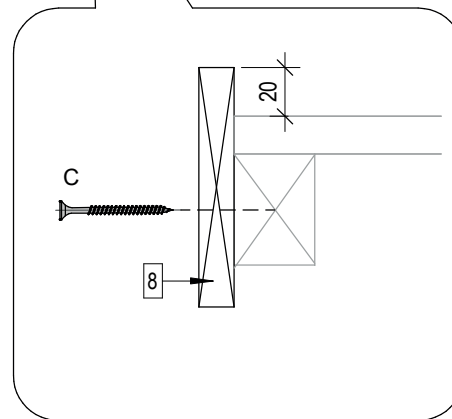
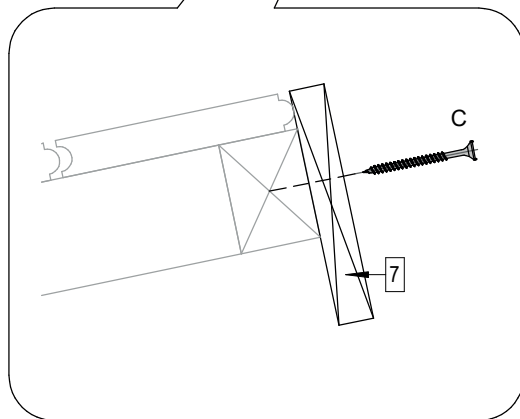
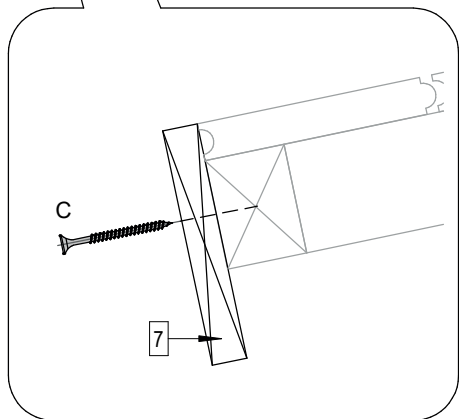
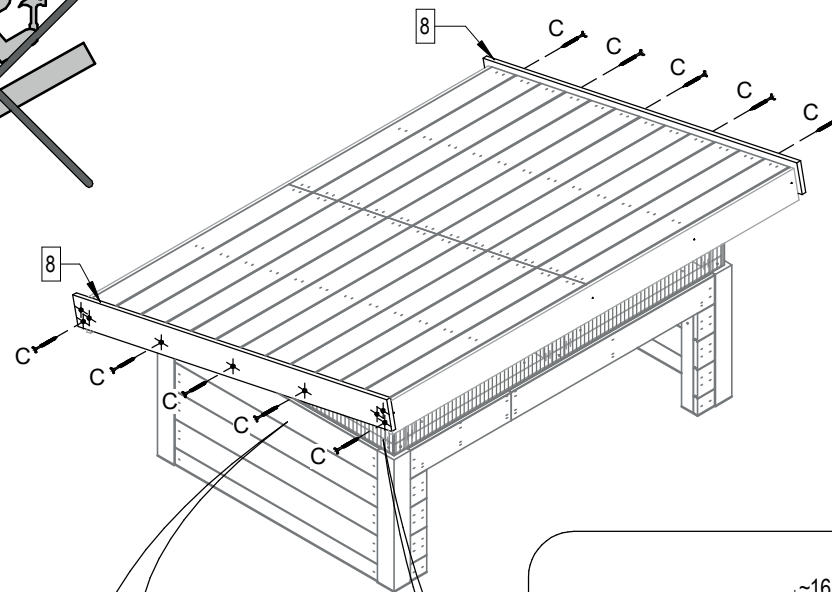
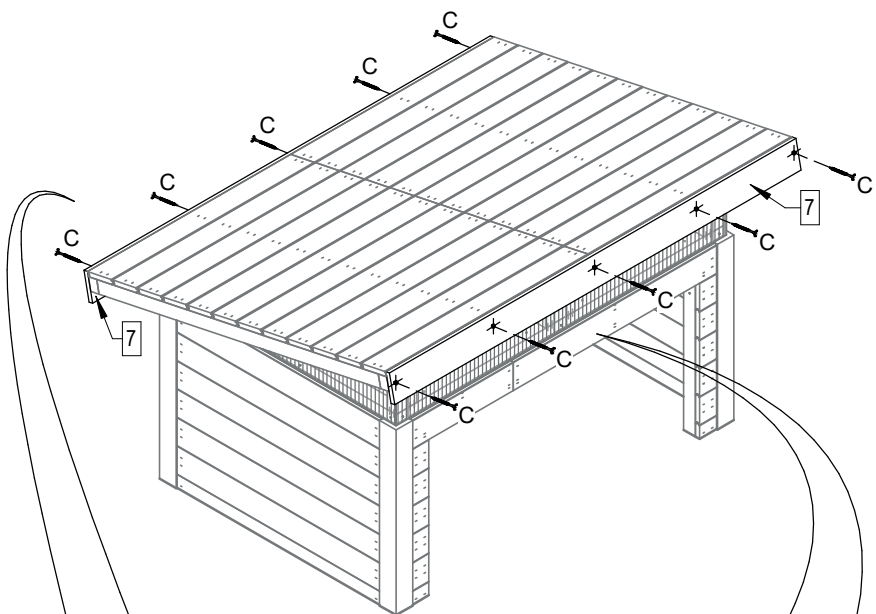
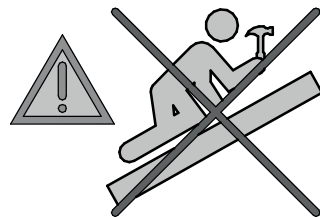
x1

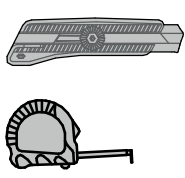


K16



C 3.5x35 x28

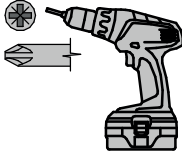




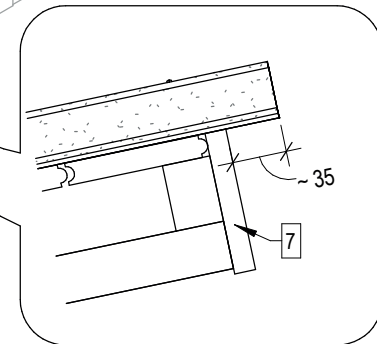
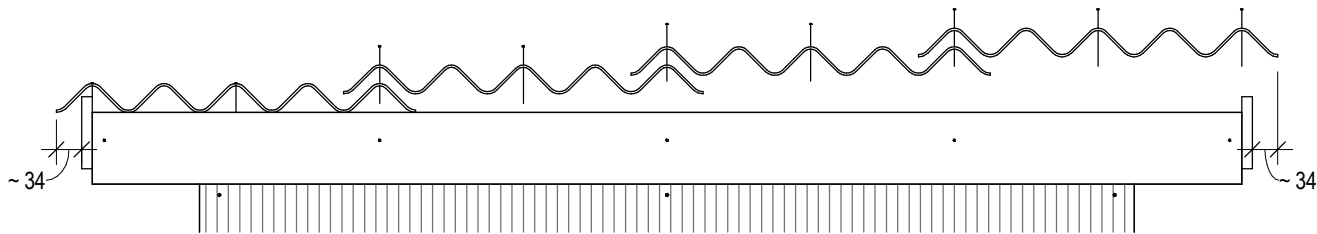
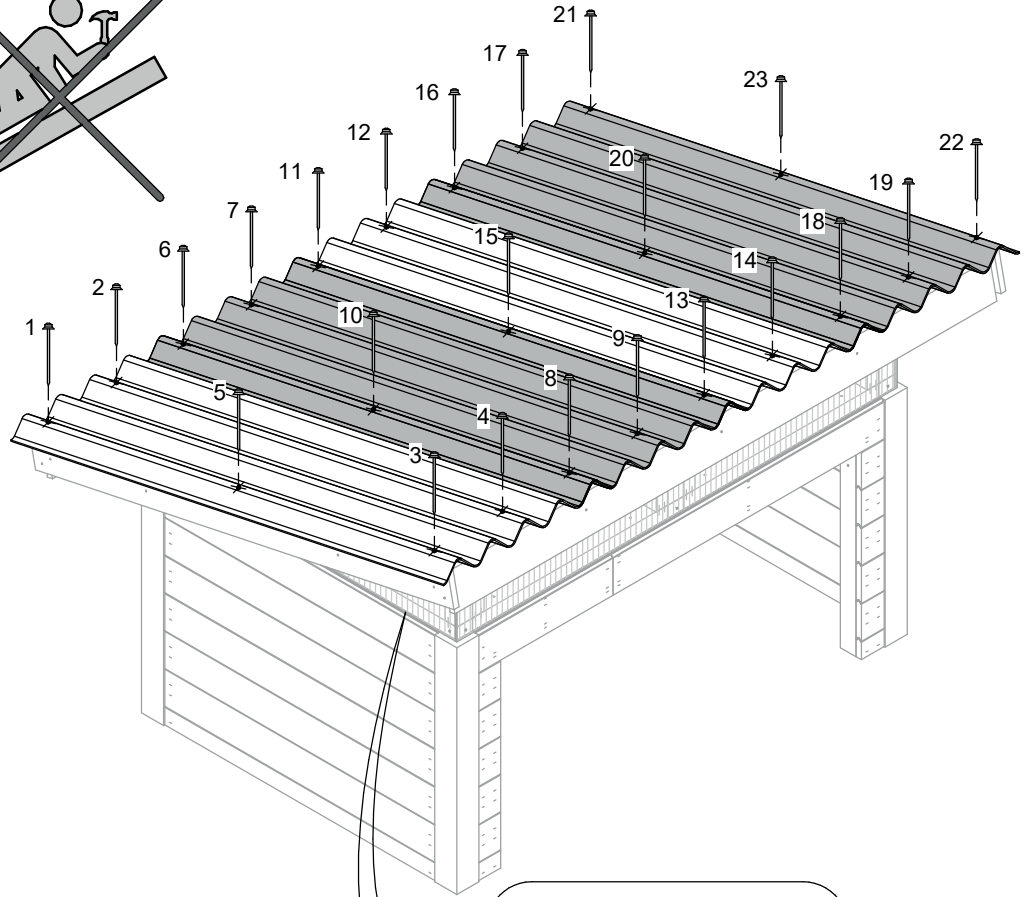
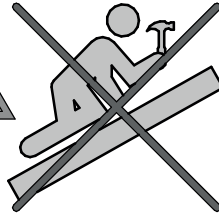
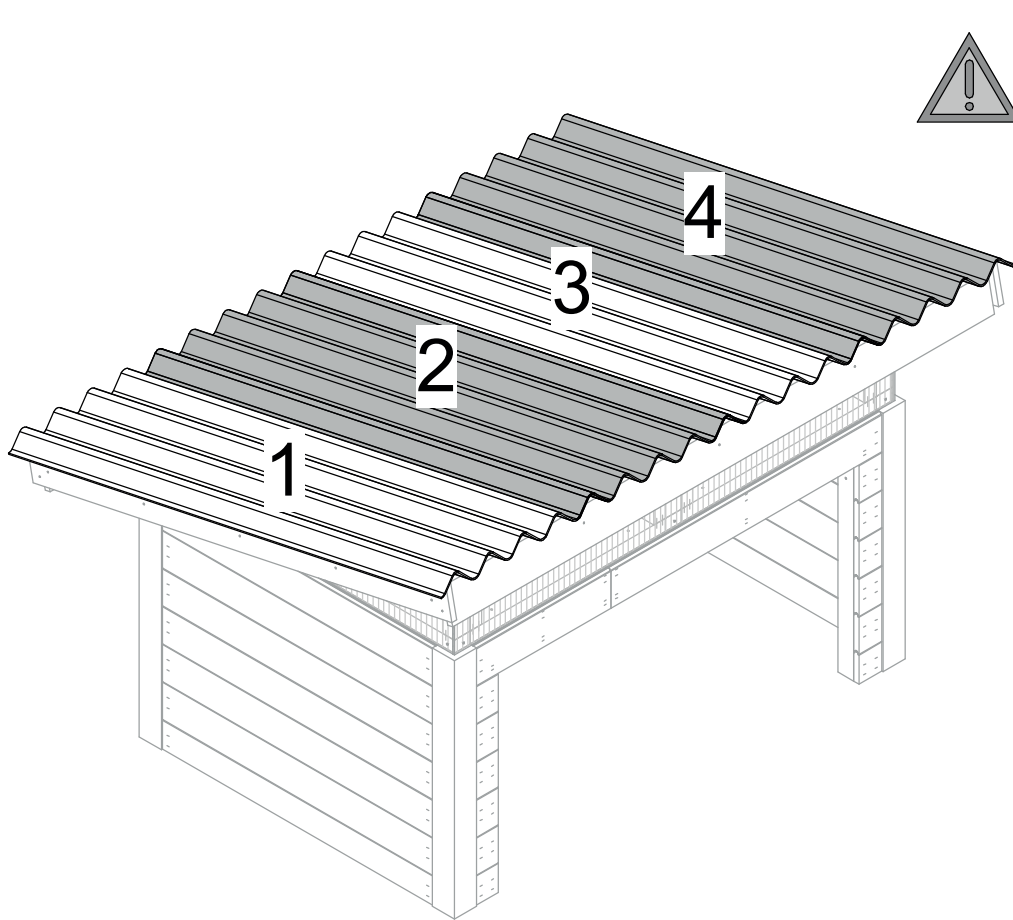
Ø3



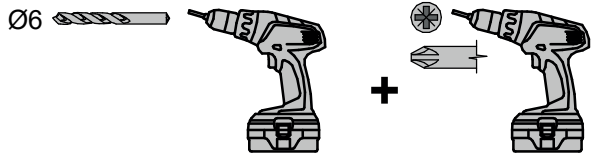
+



J
3x75 x24



K18



A 3.5x25 x12

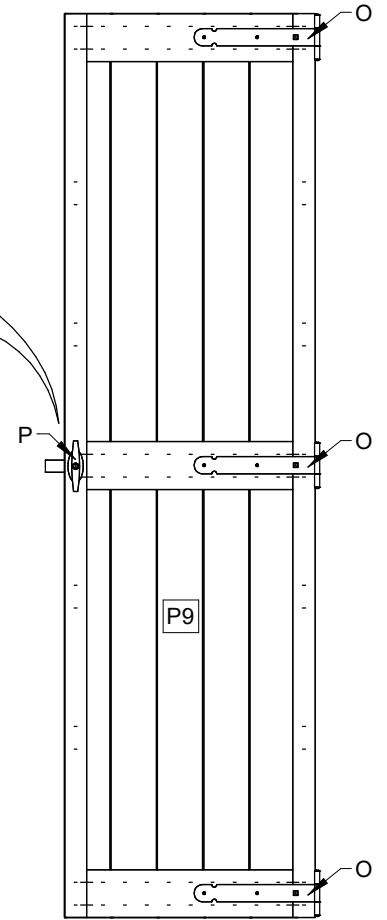
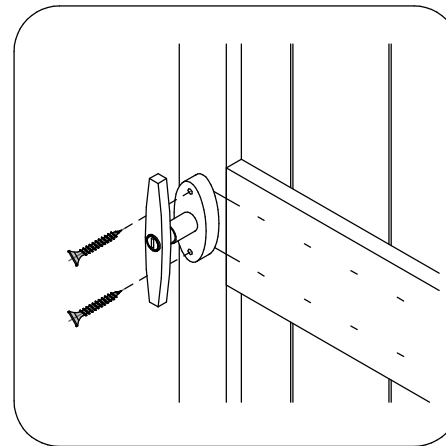
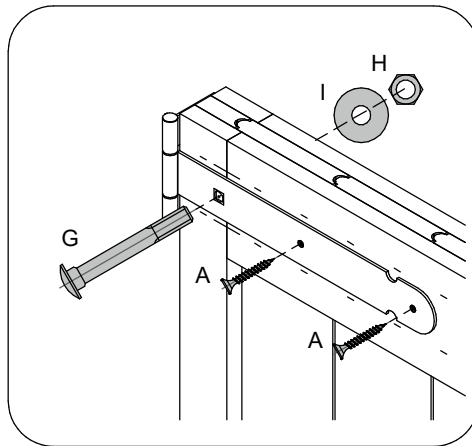
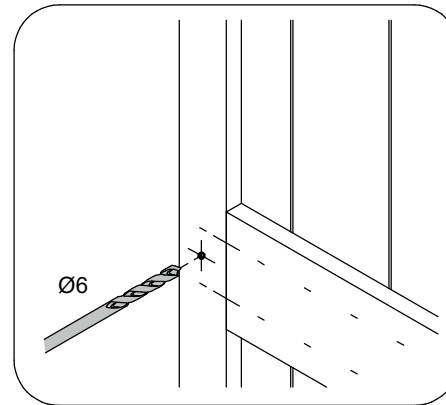
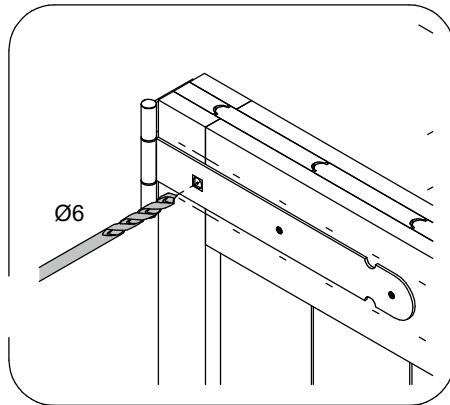
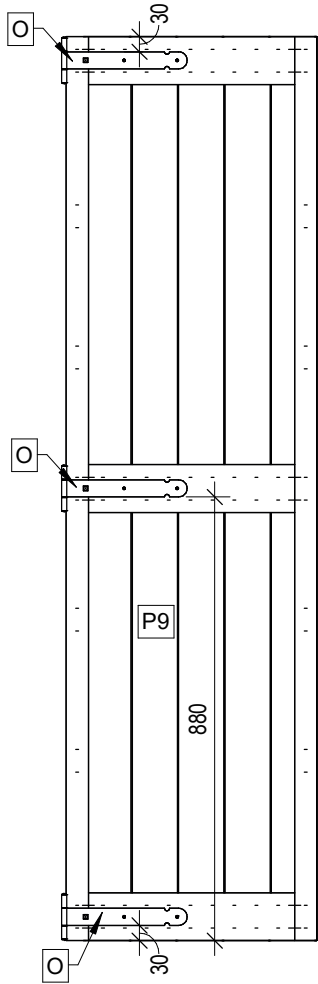
H M8 x6

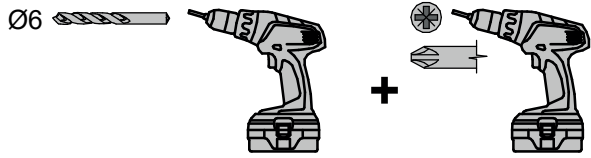
G M8x60 x6


I M8 x6

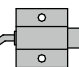
O x6


P x1



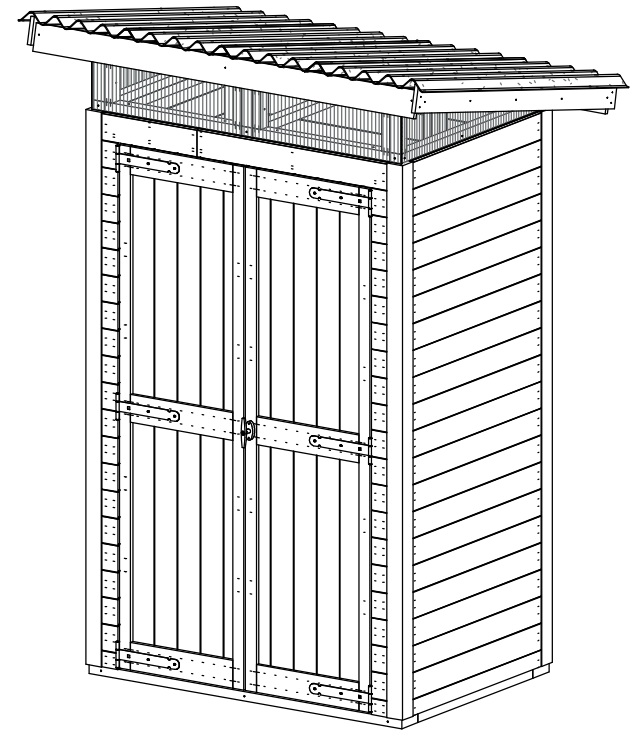
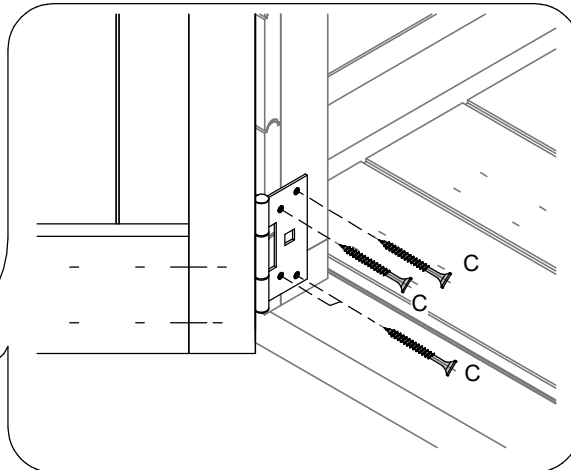
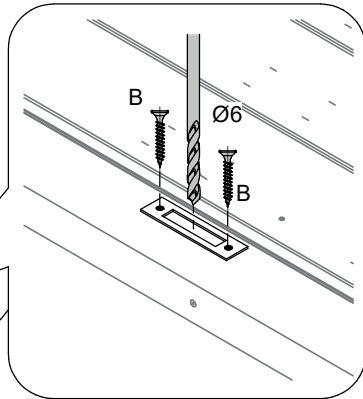
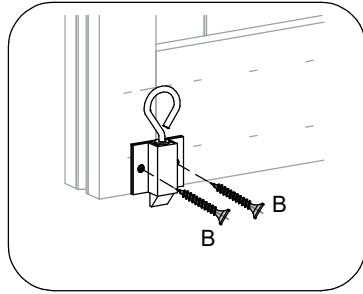
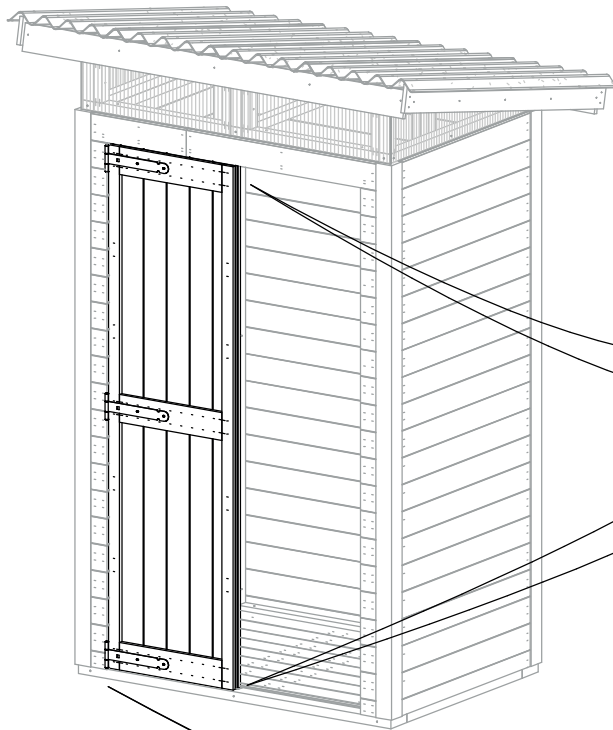


B  3.5x25 x8

Q  x2

C  3.5x35 x24

Q  x2



K20