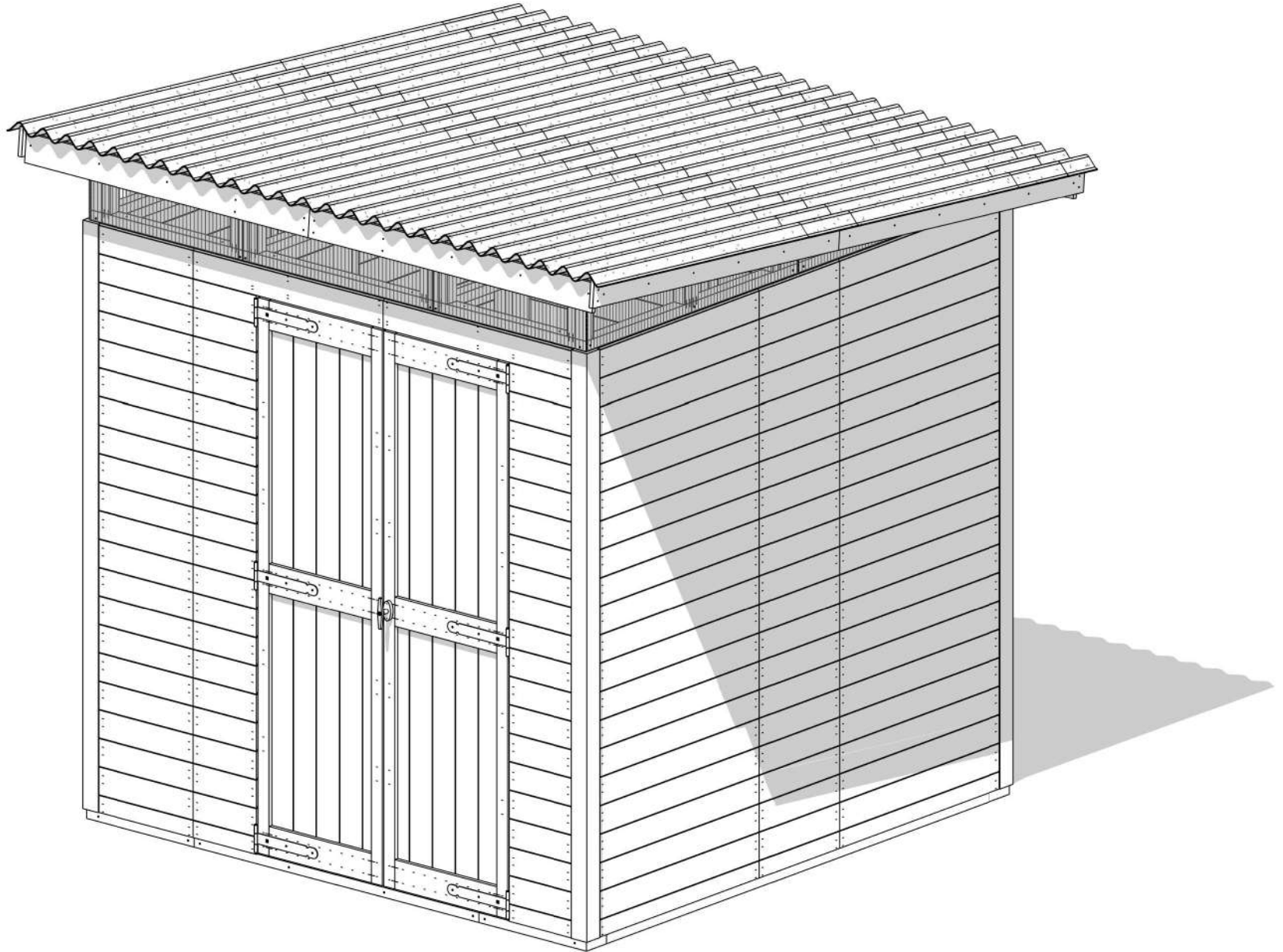
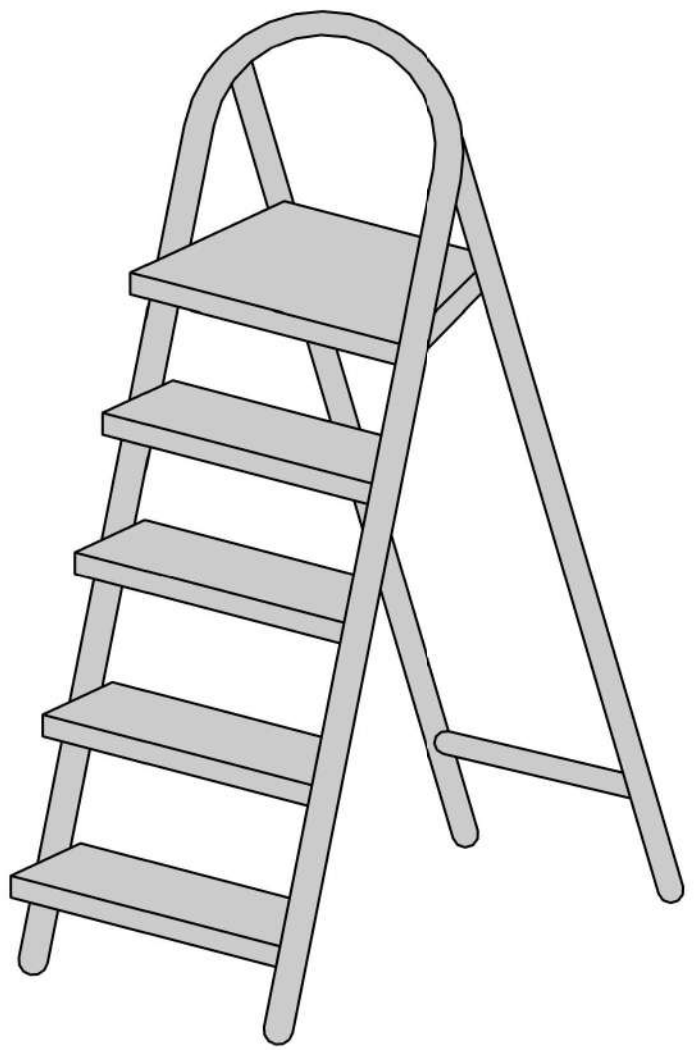
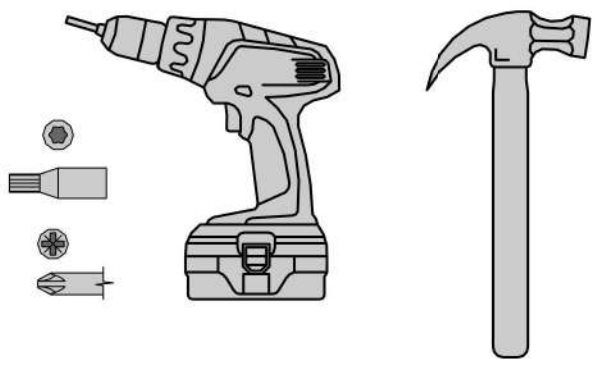
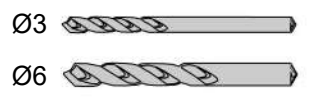
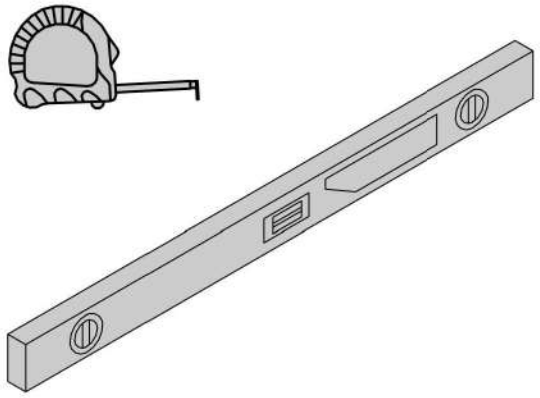
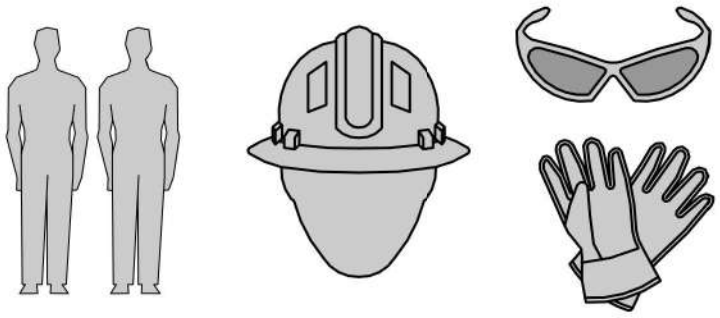


# STRONGBOX XL

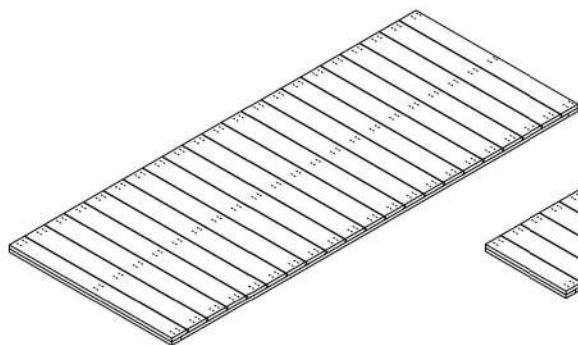
**upyard™**





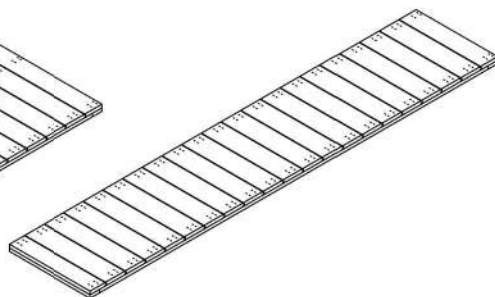
**P1** - 760 x 1900 x 29

x2



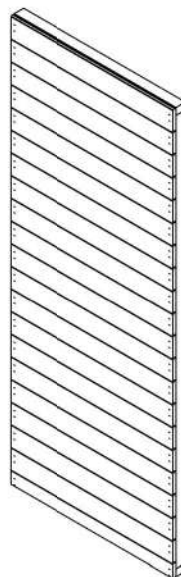
**P2** - 380 x 1900 x 29

x1



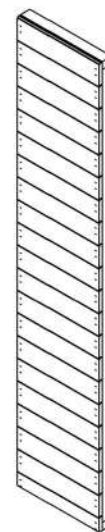
**P3** - 760 x 1900 x 59

x6



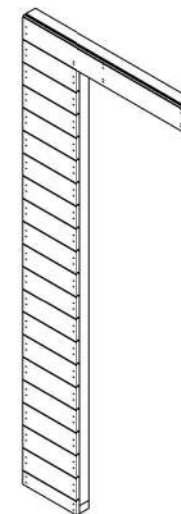
**P4** - 380 x 1900 x 59

x4



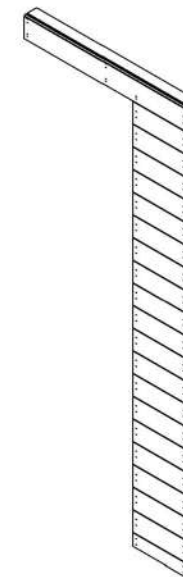
**P5L** - 760 x 1900 x 59

x1



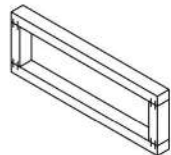
**P5R** - 760 x 1900 x 59

x1



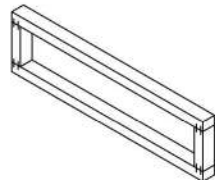
**P6** - 547 x 194 x 44

x2



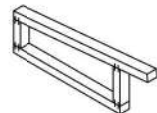
**P7** - 715 x 194 x 44

x1



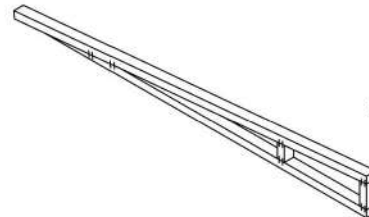
**P8A** - 629 x 226 x 44

x4



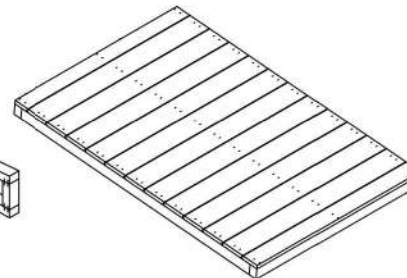
**P8B** - 1644 x 181 x 44

x4



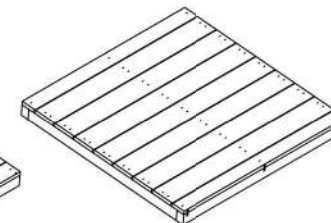
**P9** - 760 x 1140 x 59

x4



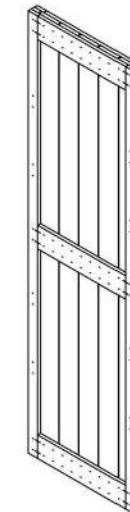
**P10** - 760 x 760 x 59

x3



**P11** - 497 x 1793 x 43

x2



**K2**

**1** - 32 x 95 x 434

x4 

**6** - 14 x 95 x 1518

x1 

**11** - 14 x 95 x 1170

x4 

**2** - 32 x 95 x 1140

x2 

**7** - 14 x 95 x 165

x4 

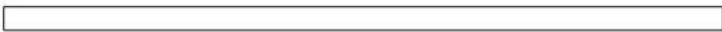
**3** - 32 x 95 x 1818

x6 

**8** - 32 x 44 x 547

x2 

**4** - 62 x 62 x 1900

x4 

**9** - 32 x 44 x 715


x3 

**5** - 32 x 44 x 1450


x1 

**10** - 14 x 95 x 1140

x4 

**A** Ø3.5x25-TX15 

x20

**H** Ø4.5x45(PC) 


x34

**L** 760 x 180 x 4

x1

**O** 

x6

**B** Ø3.5x35-TX15 

x84

**I** 1001 x 119 x 4


x2

**M** 370 x 475 x 35

x6

**P** 

x1

**C** Ø4x50-TX20 

x162

**J** 1001 x 210 x 4


x2

**N** 1240 x 475 x 35

x12

**Q** 

x2

**D** Ø5x70-TX25 


x60

**K** 617 x 180 x 4

x2

**E** Ø5x120-TX25 

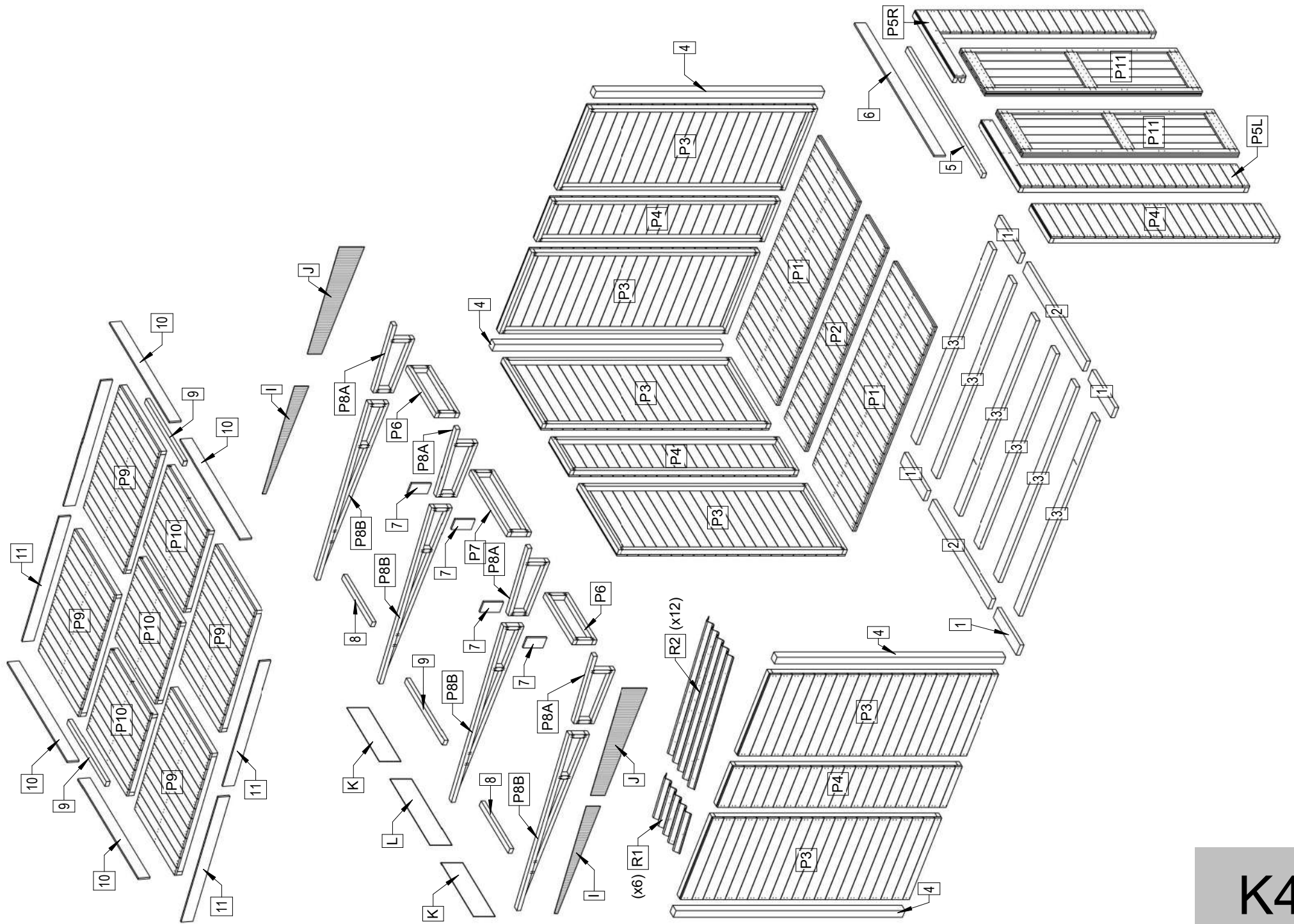
x16

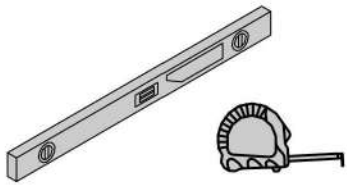
**F** M6x60 

x8

**G** Ø3x75 

x66

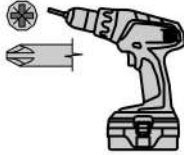




Ø3

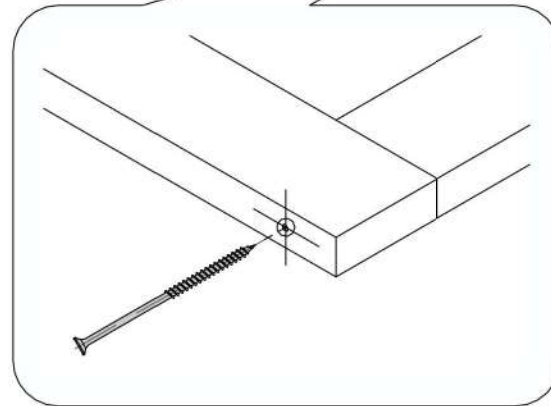
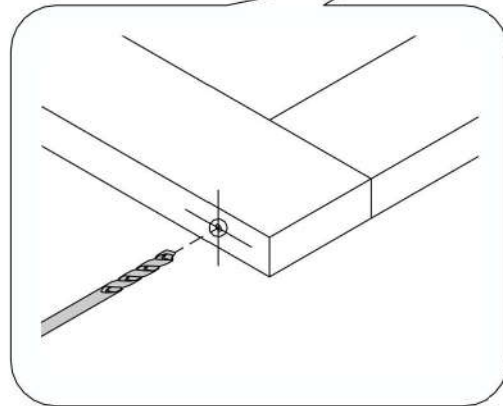
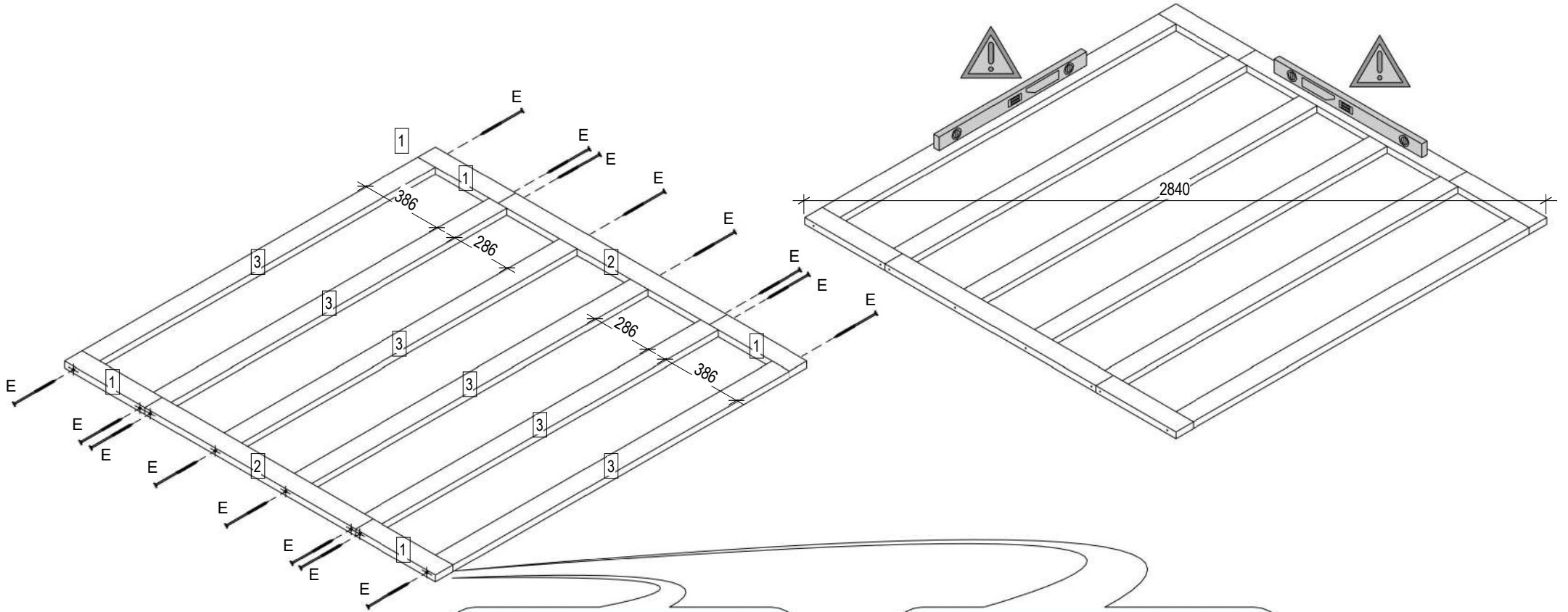


+



E  
5x120 x16

**upyard™**



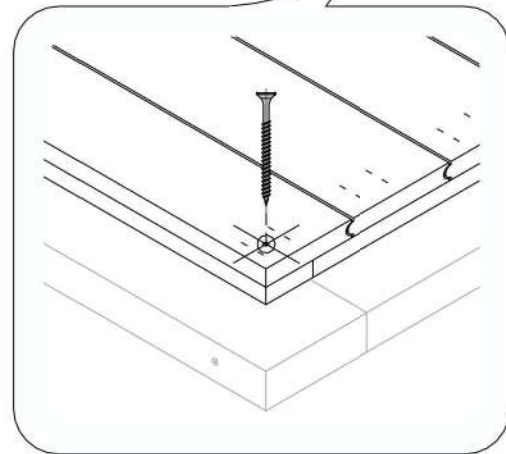
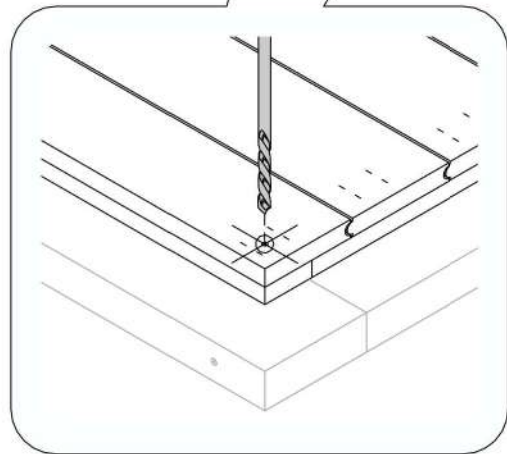
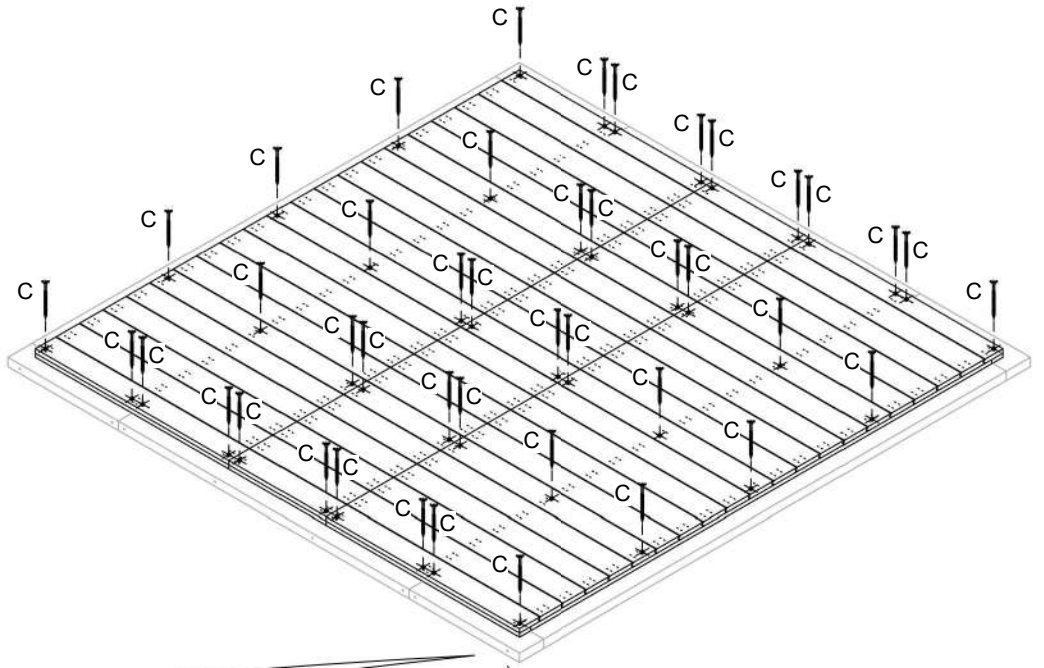
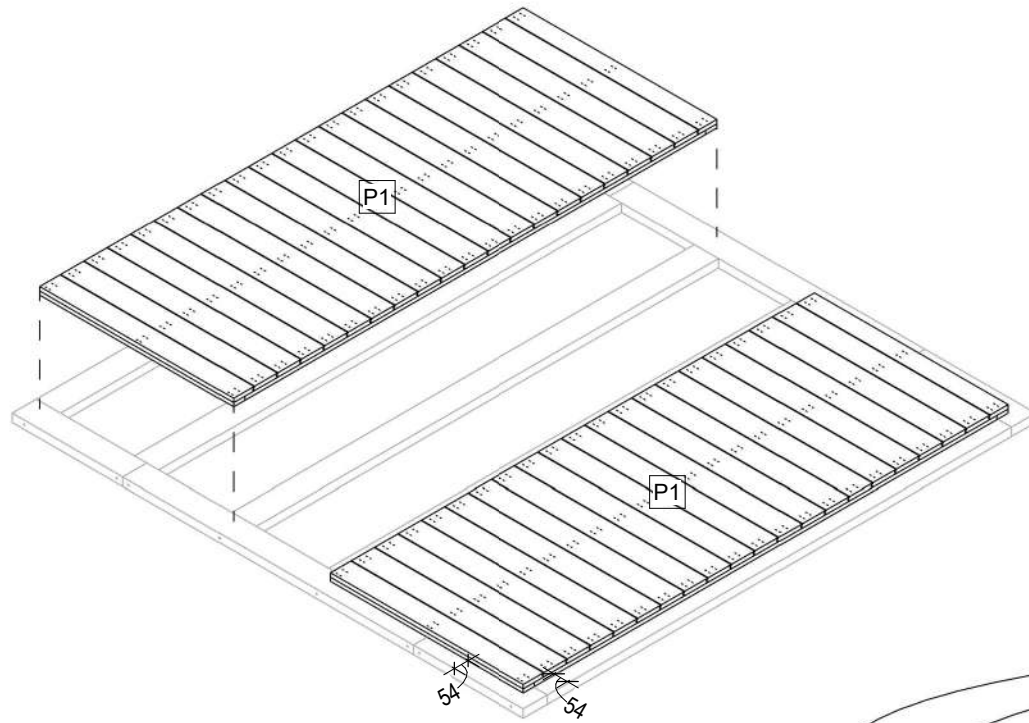
**K5**



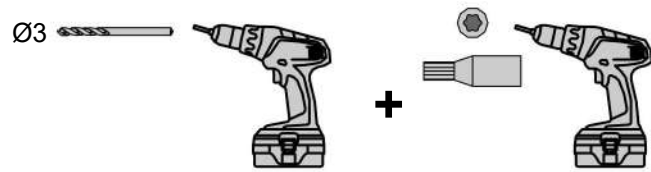


C 4x50 x44

upyard™

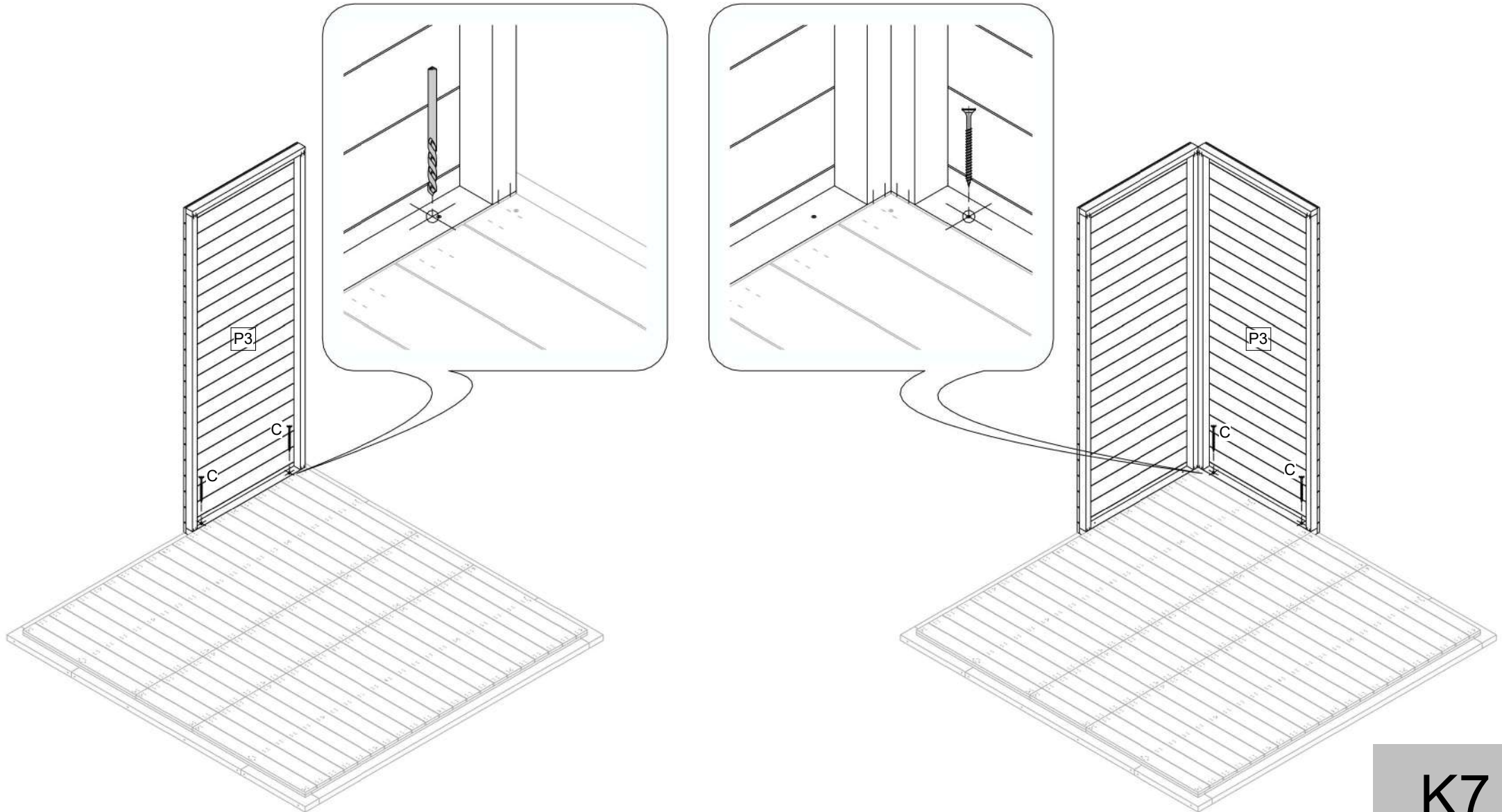


K6



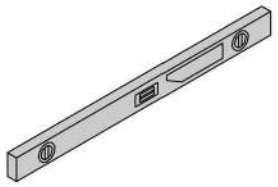
C  
4x50 x4

**upyard™**



**K7**

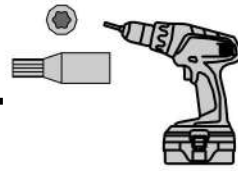




Ø3



+

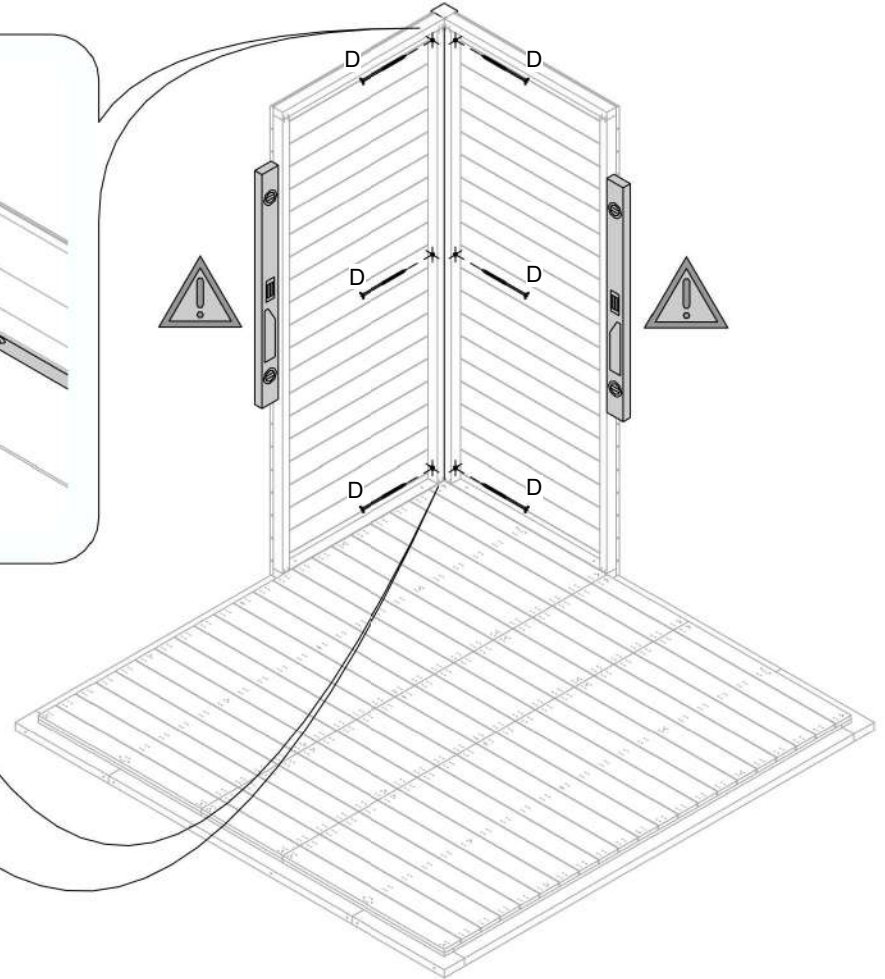
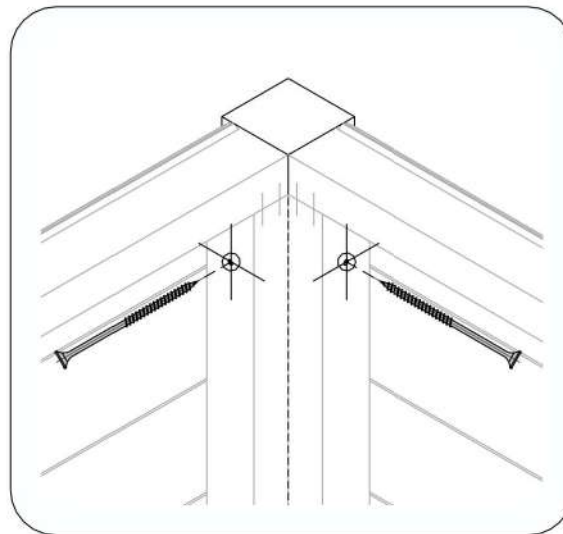
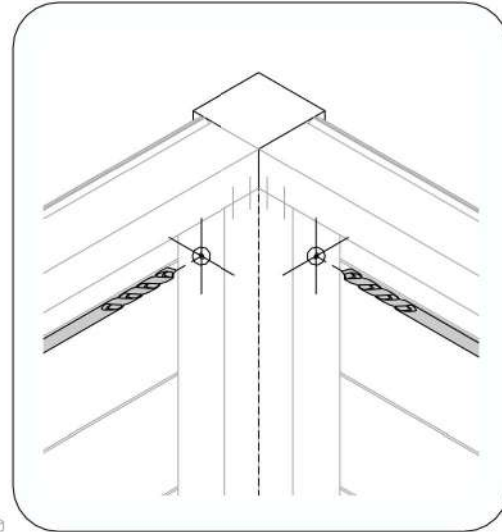
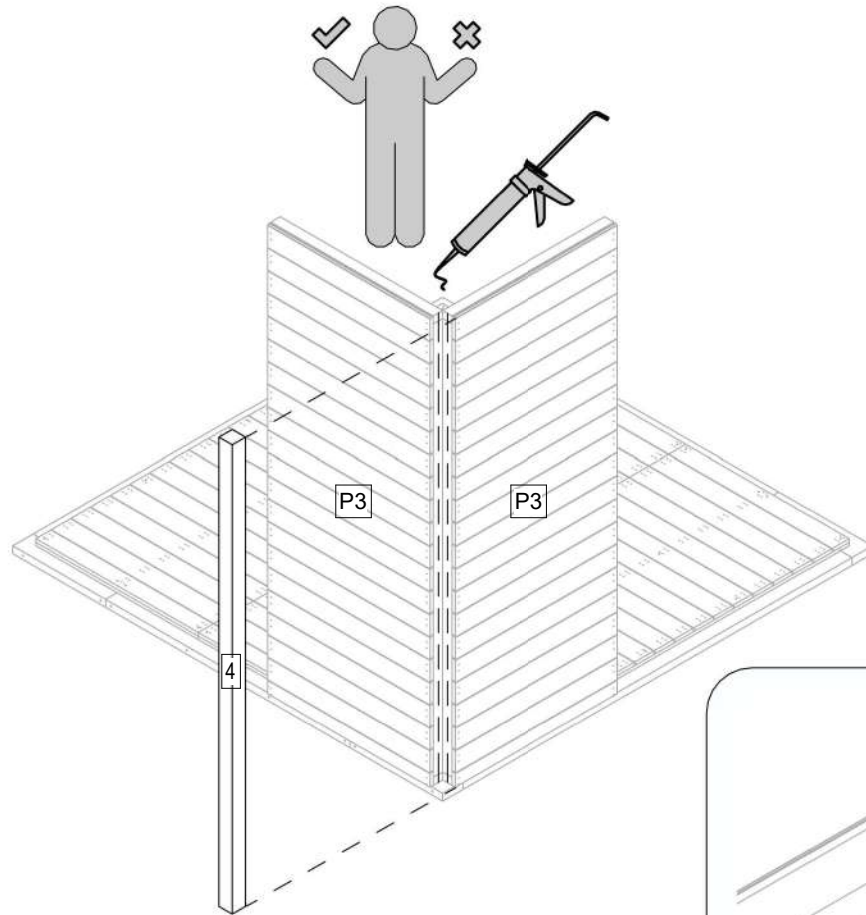


D

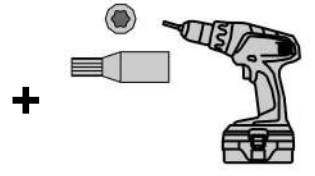
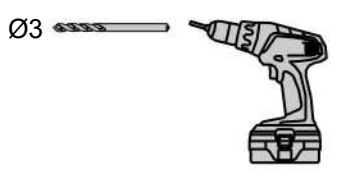
5x70

x6

**upyard™**

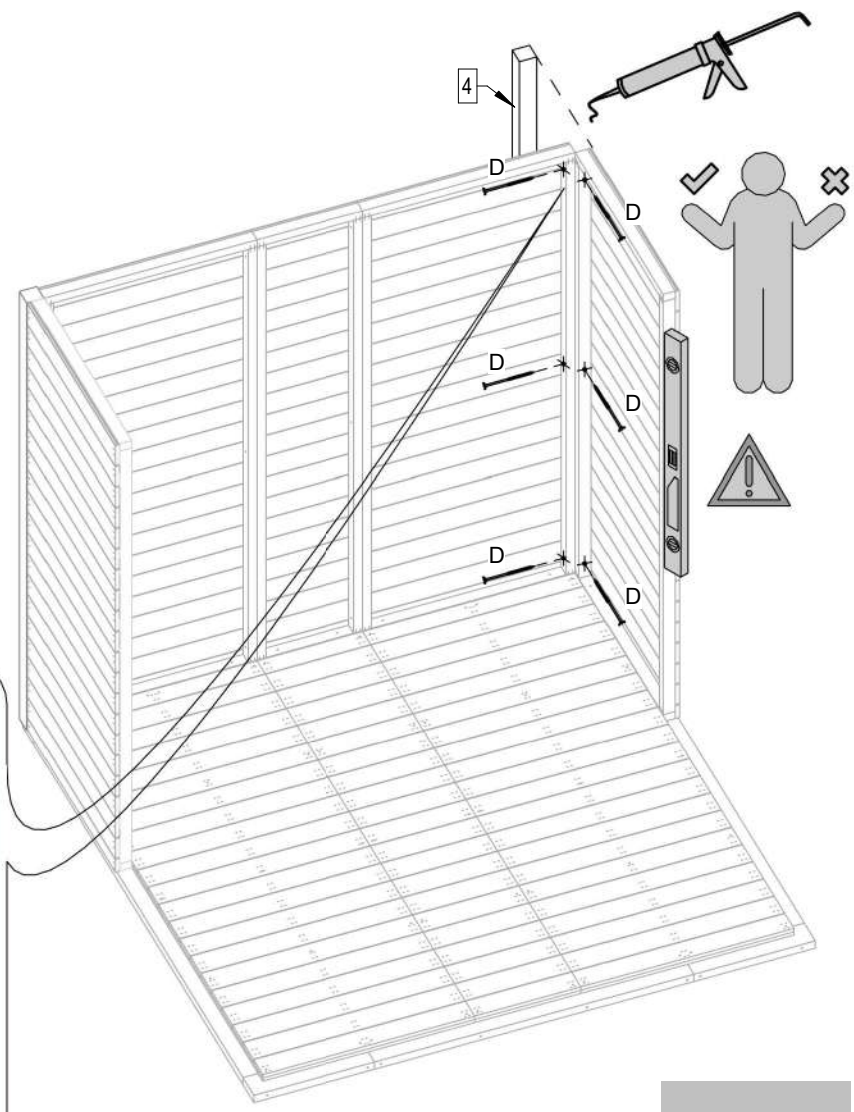
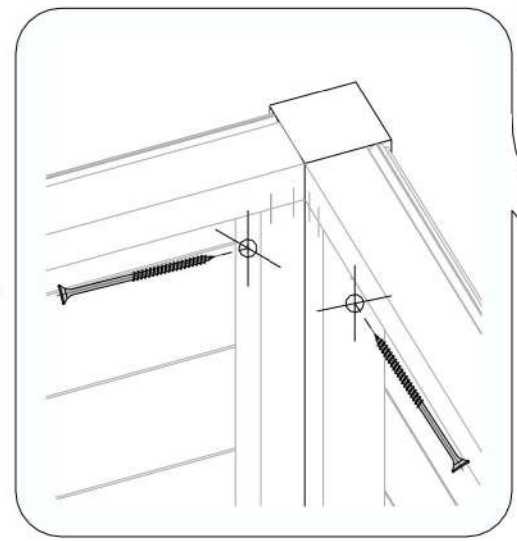
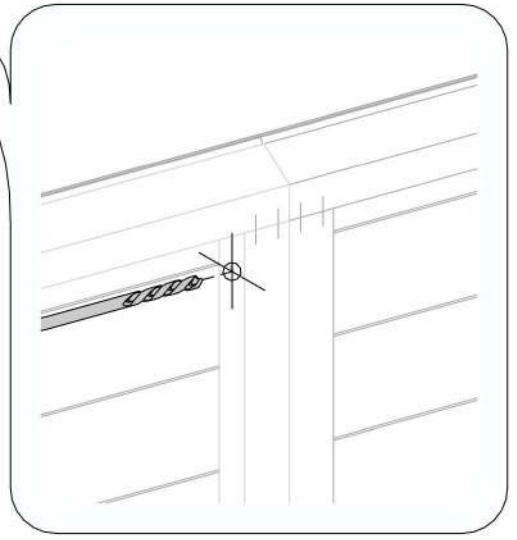
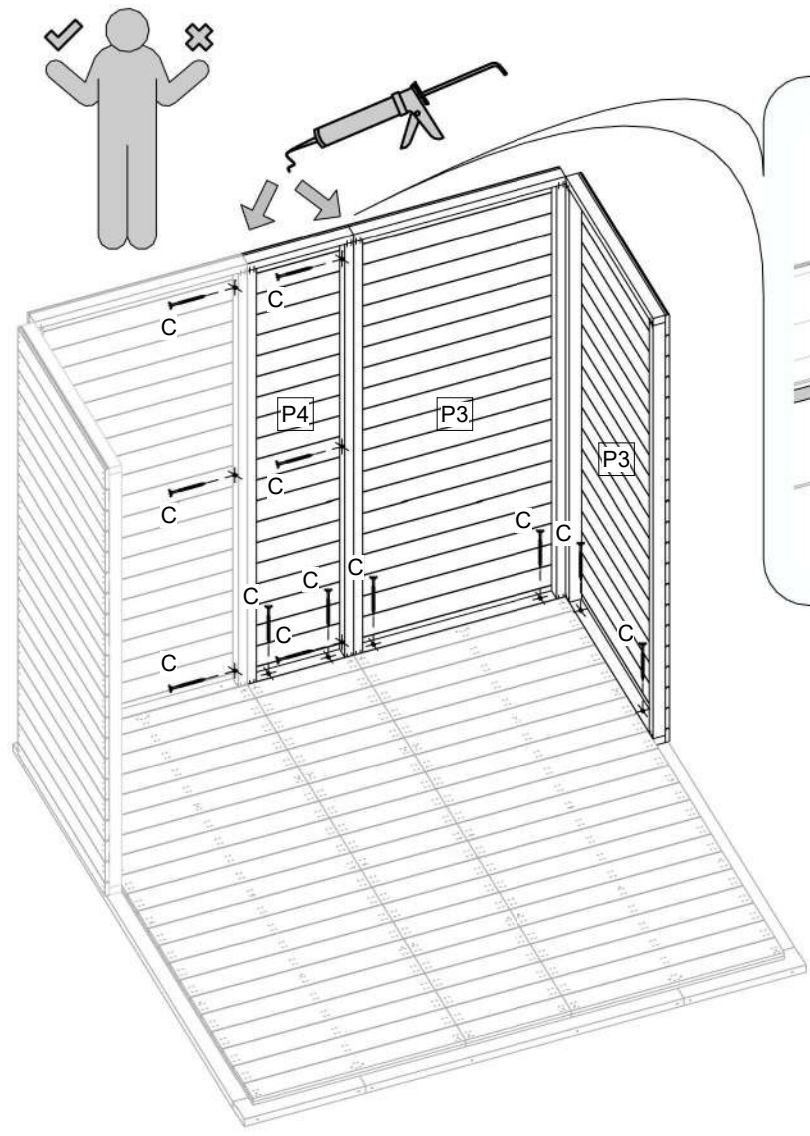


**K8**



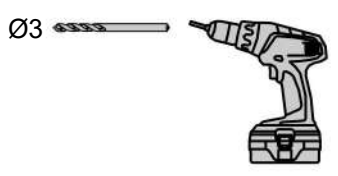
- C** 4x50 x12
- D** 4x70 x6

**upyard™**

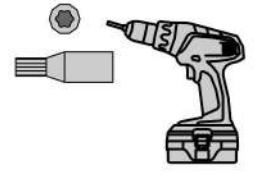


**K9**



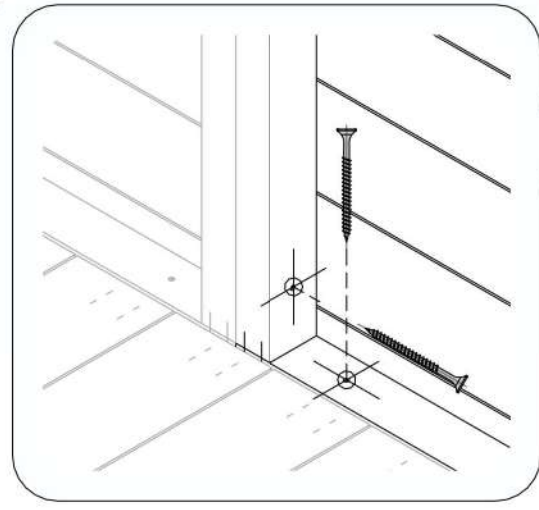
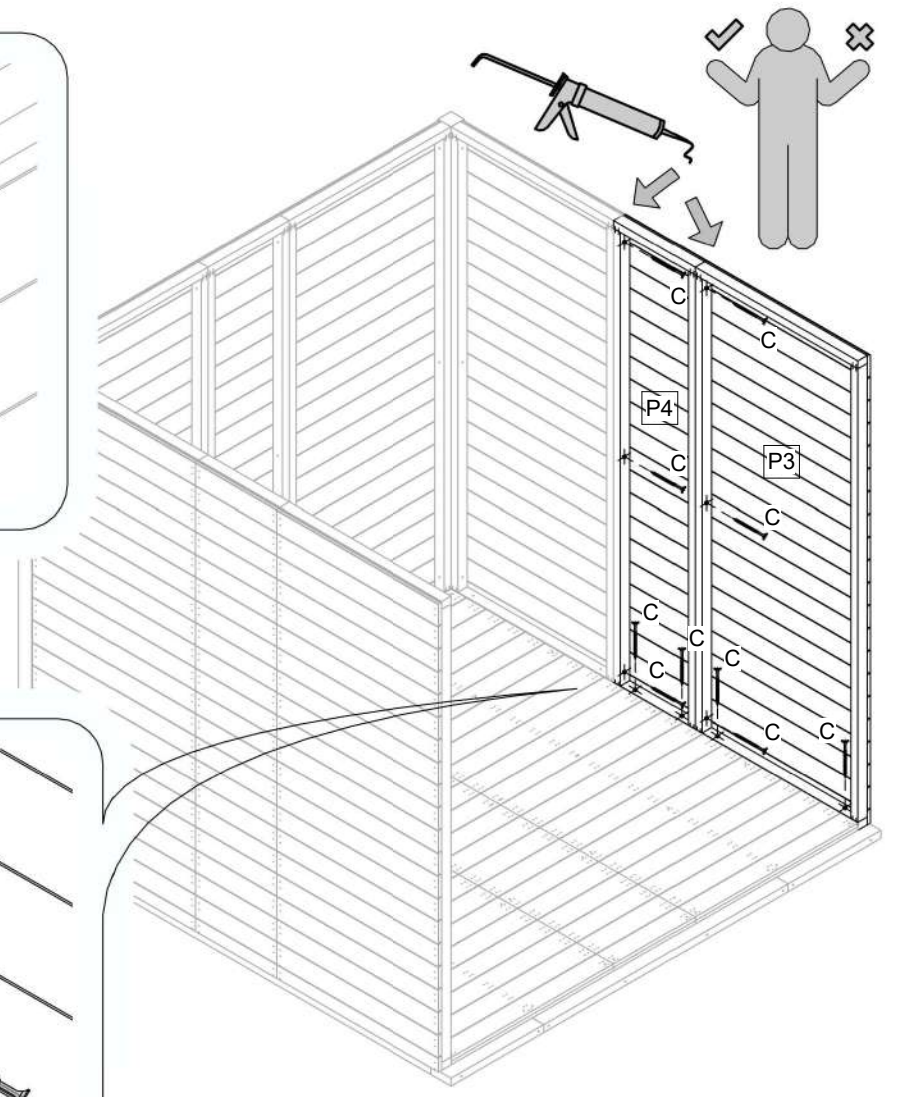
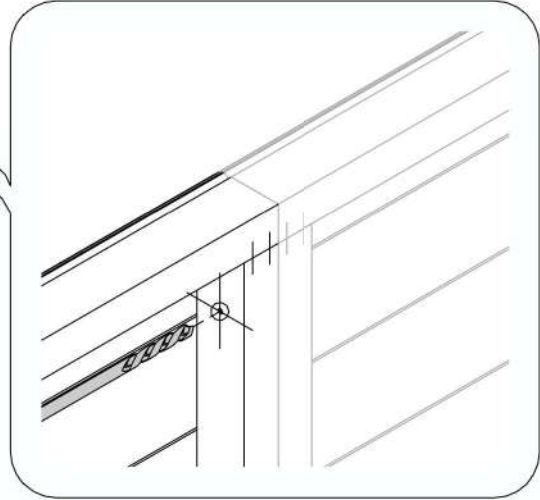
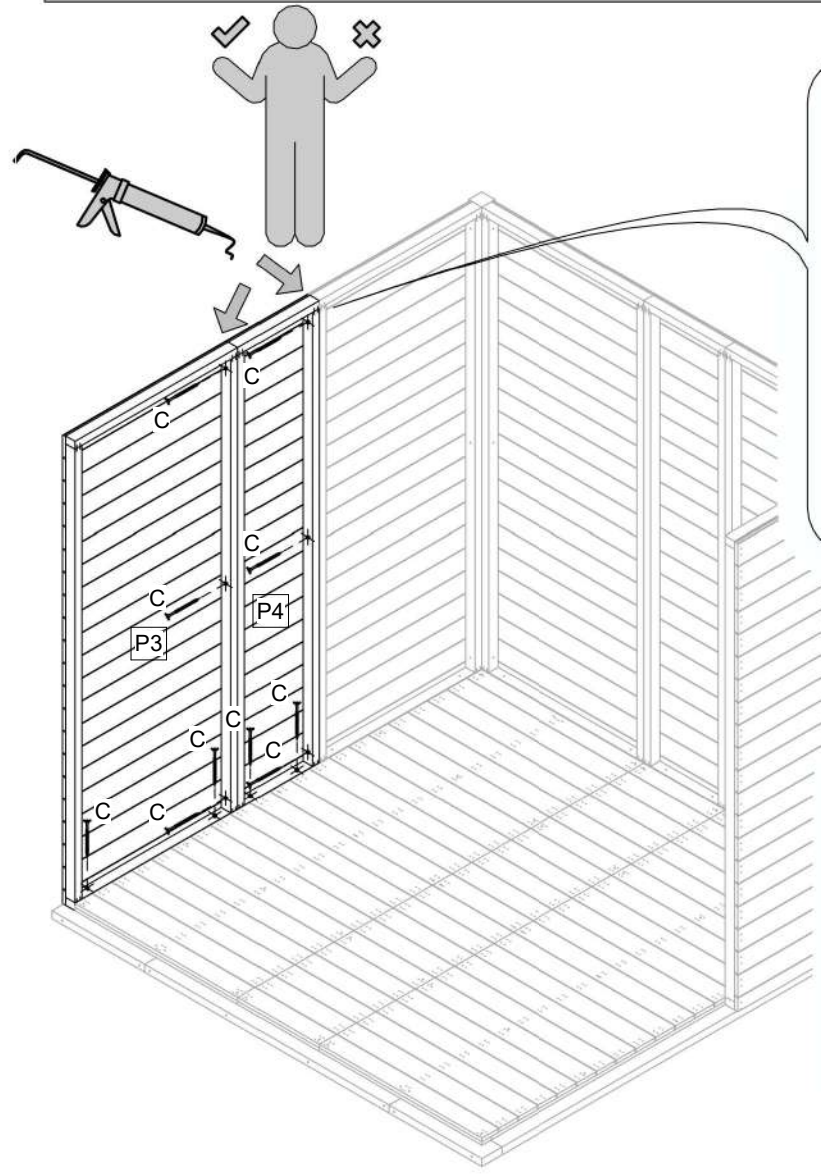


+

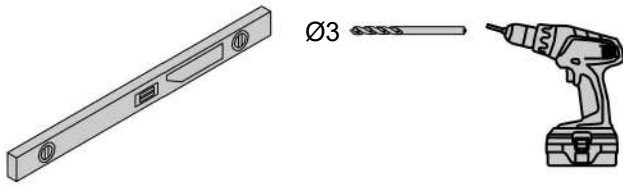


C  
4x50 x20

**upyard™**

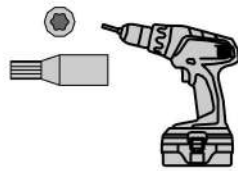


**K10**



Ø3

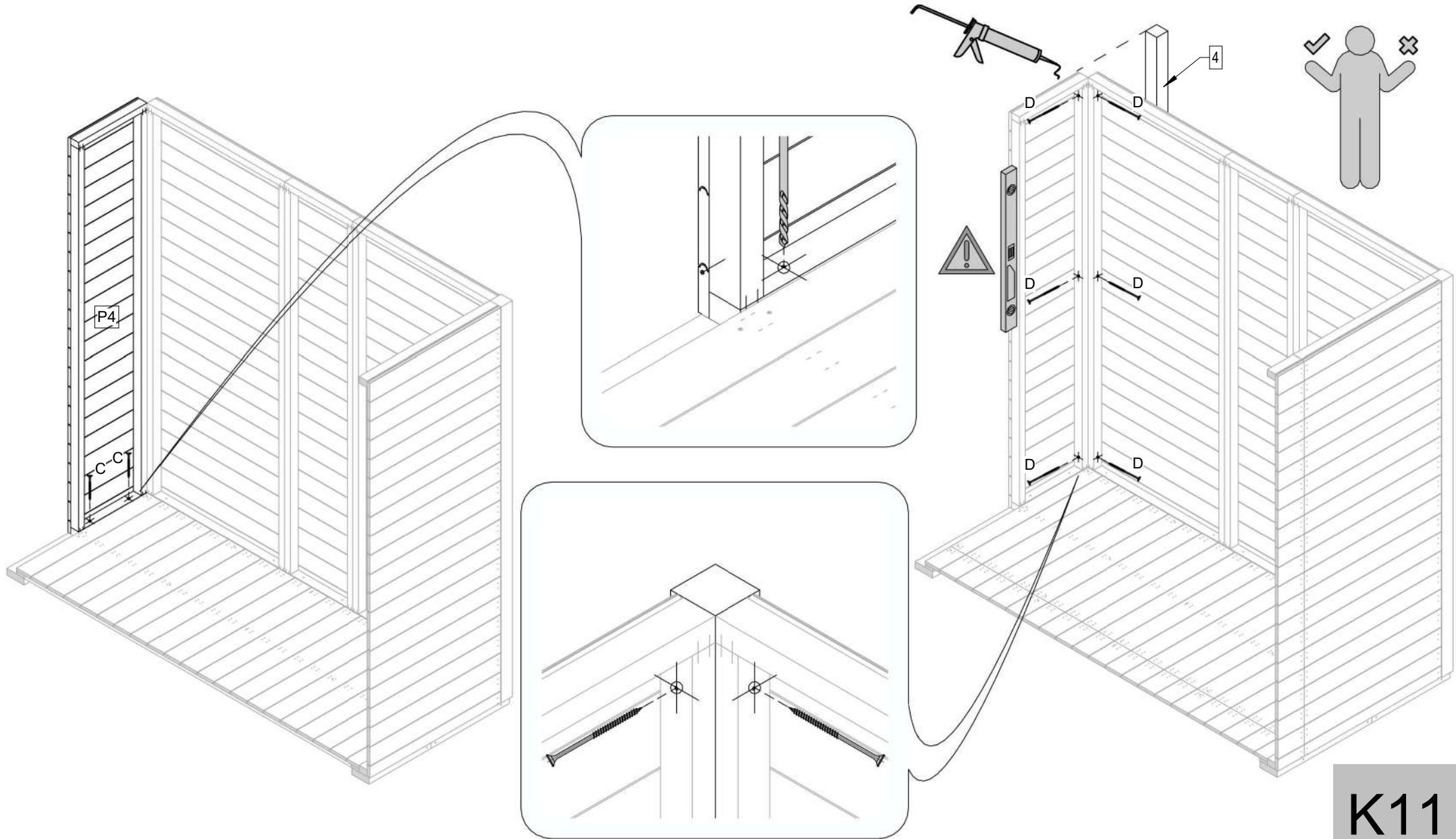
+



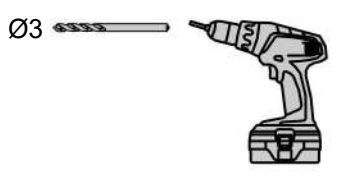
**C**  x2  
4x50

**D**  x6  
5x70

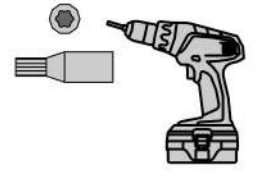
**upyard™**



**K11**



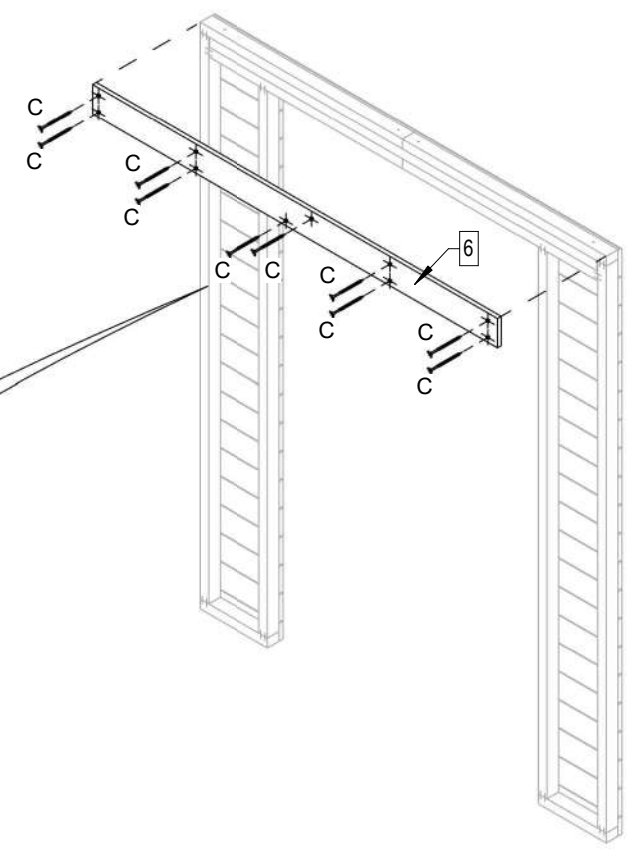
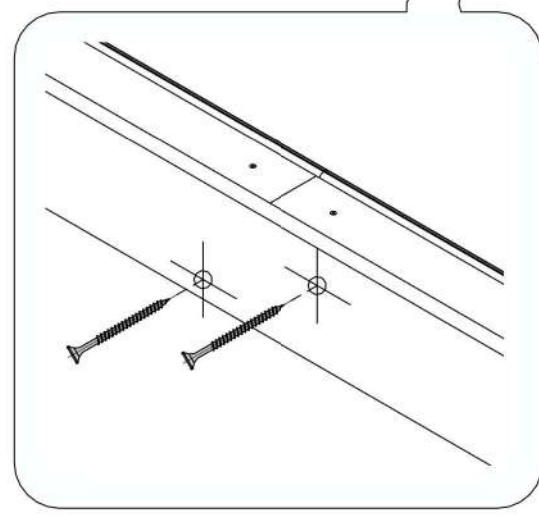
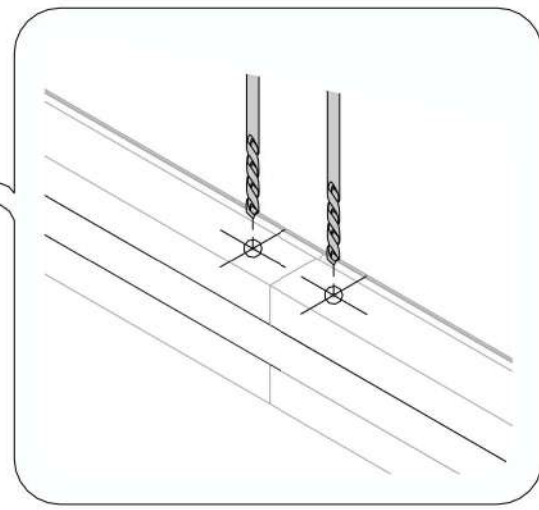
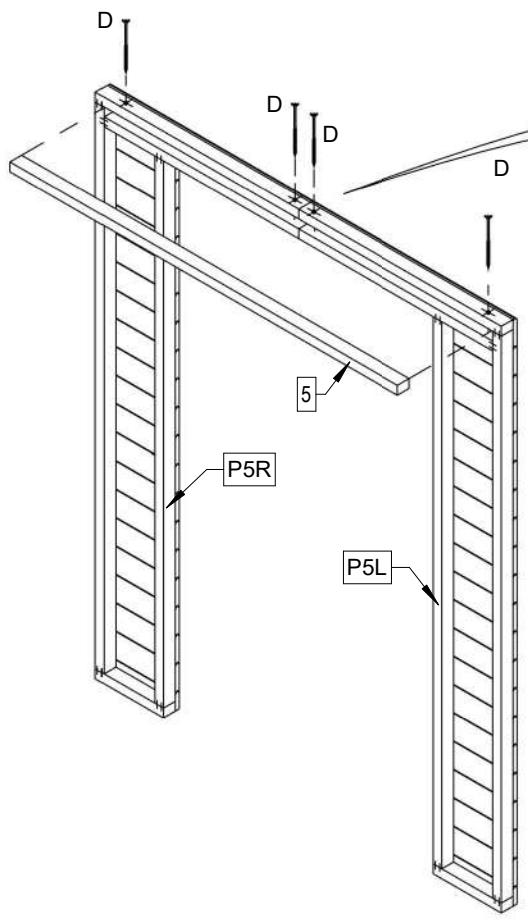
+



**C** 4x50 x10

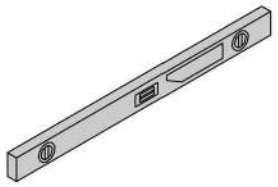
**D** 5x70 x4

**upyard™**



**K12**

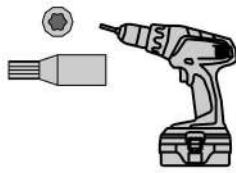




Ø3



+



C

4x50

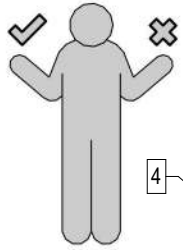
x7

D

5x70

x6

**upyard™**



4



D

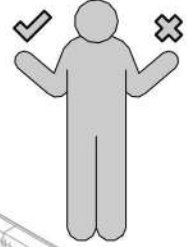
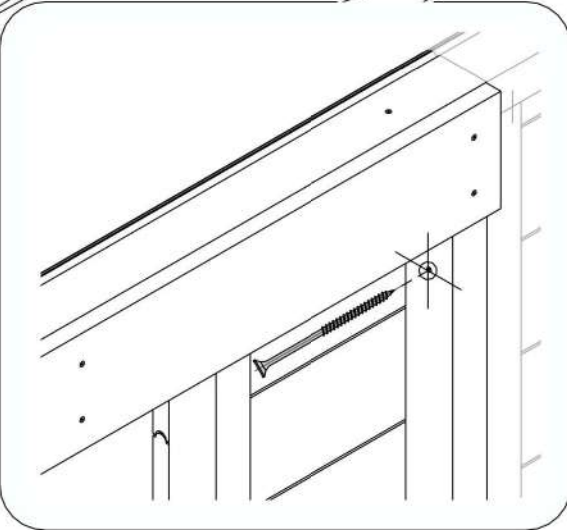
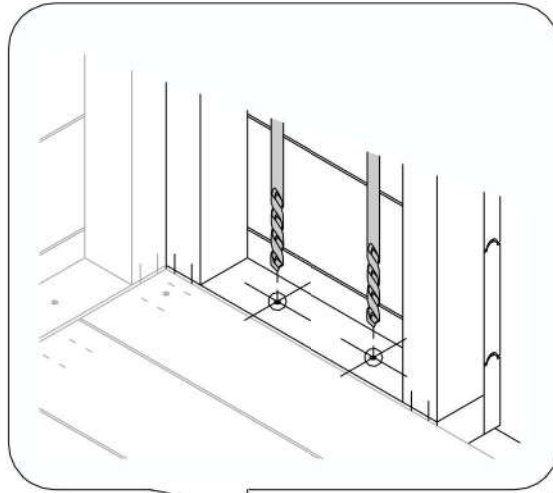
D

D

D

D

D



C

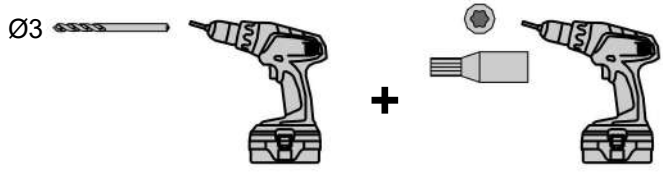
C

C

C

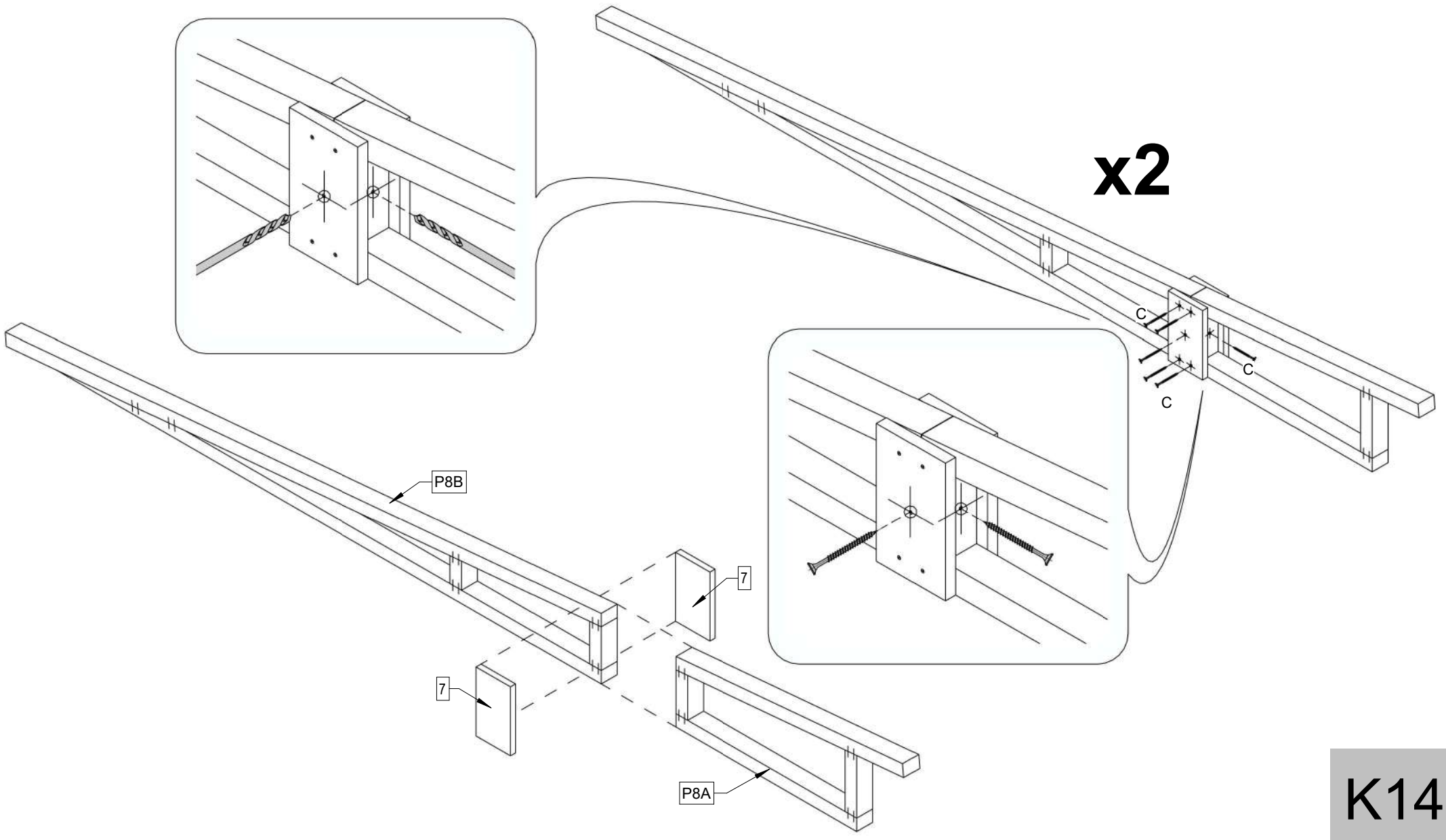
C

**K13**



4x50 x22

**upyard™**



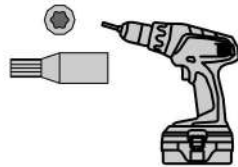
**K14**



Ø3



+



C

4x50

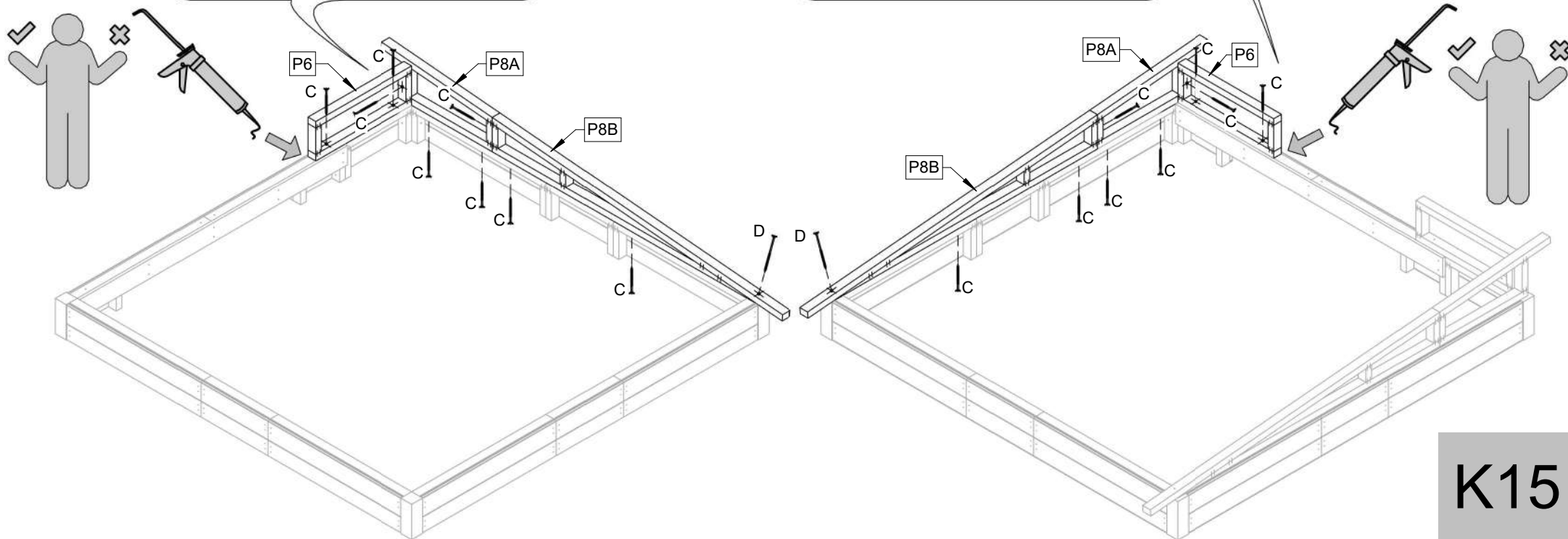
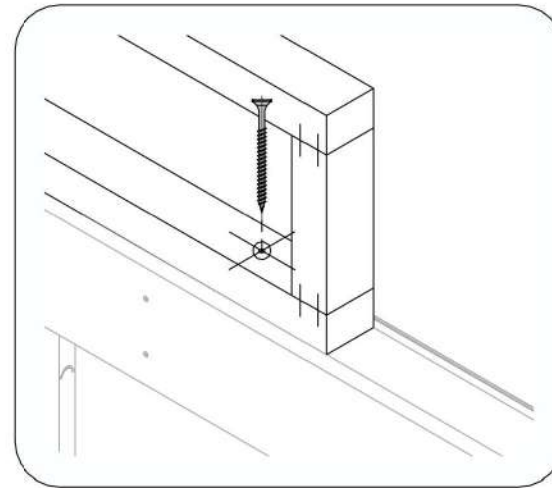
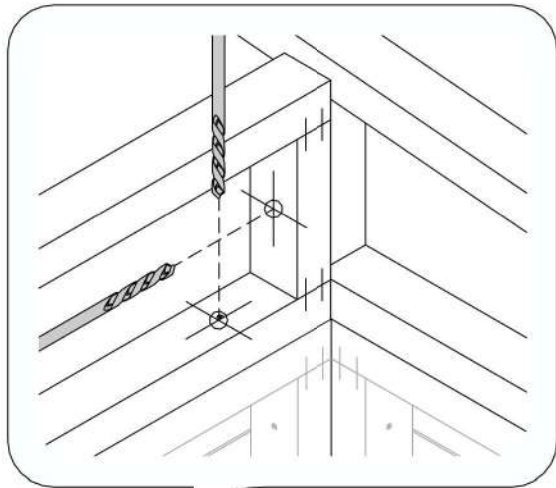
x16

D

5x70

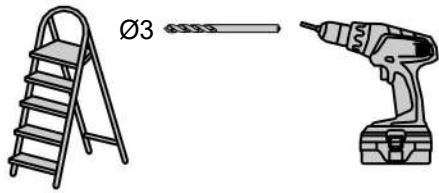
x2

**upyard™**

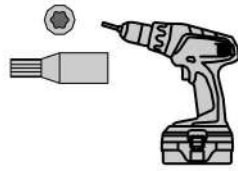



**K15**





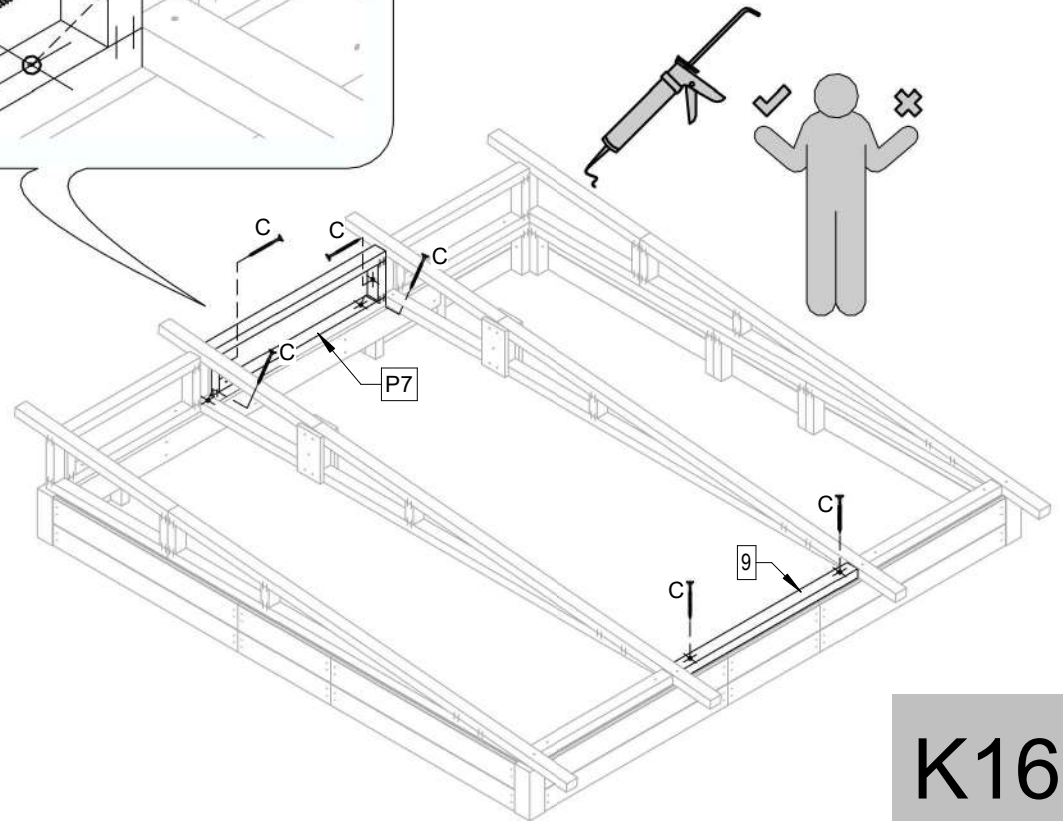
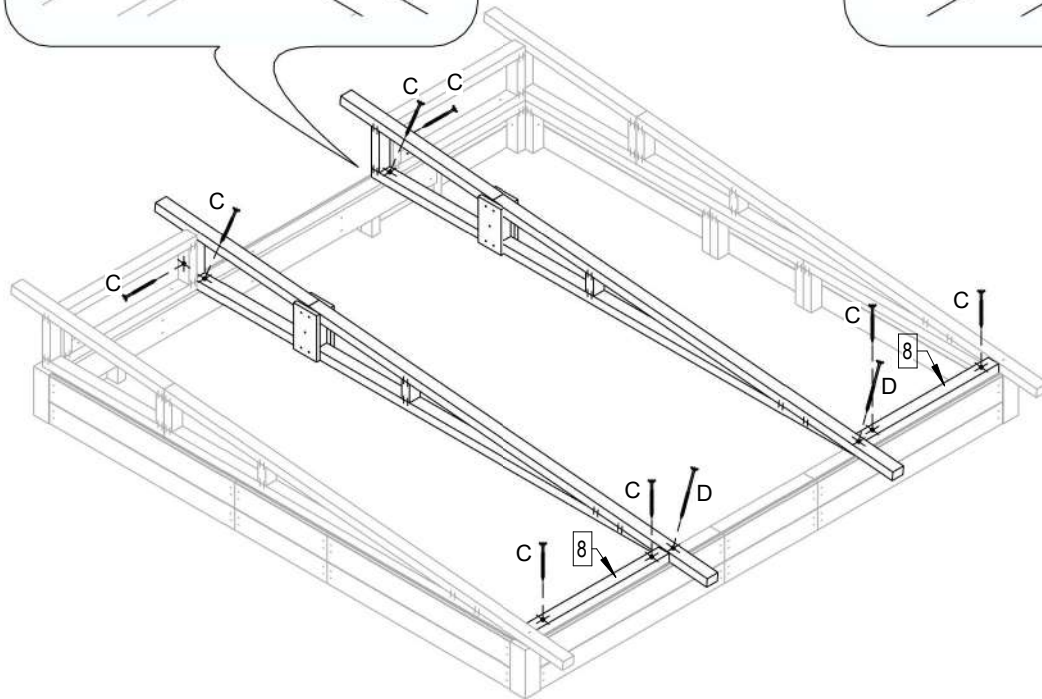
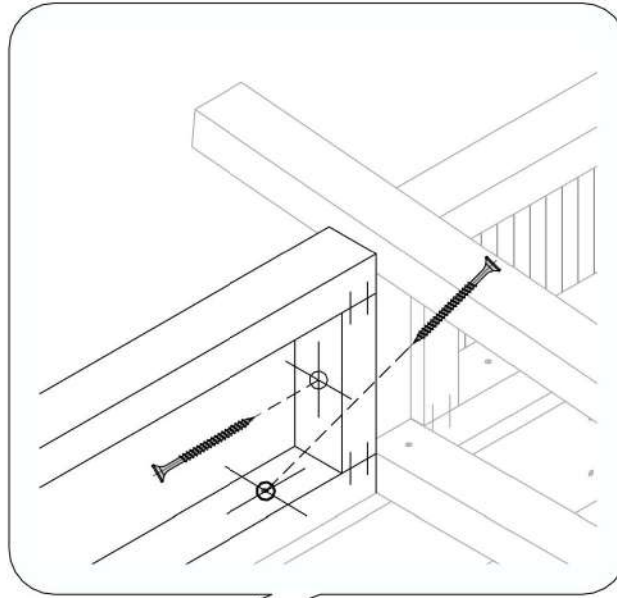
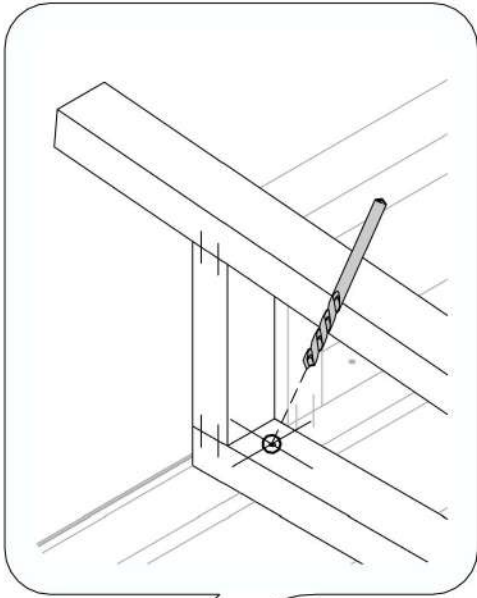
+



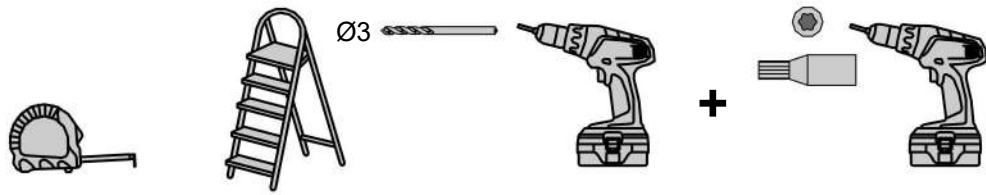
**C**  x14  
4x50



**D**  x2  
5x70

**upyard™**

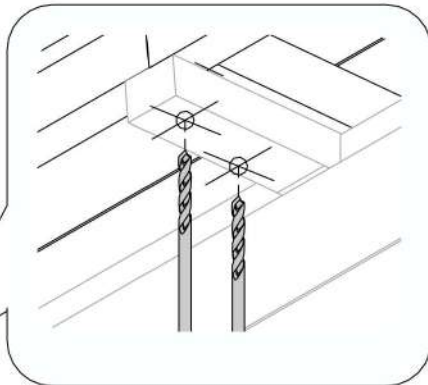
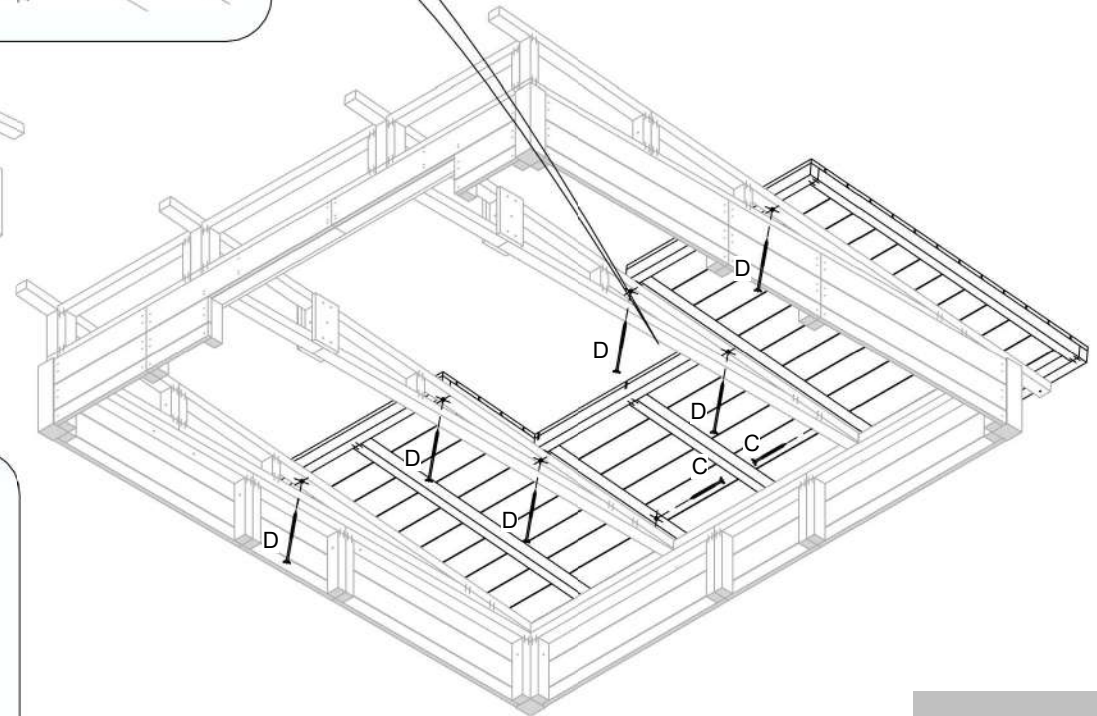
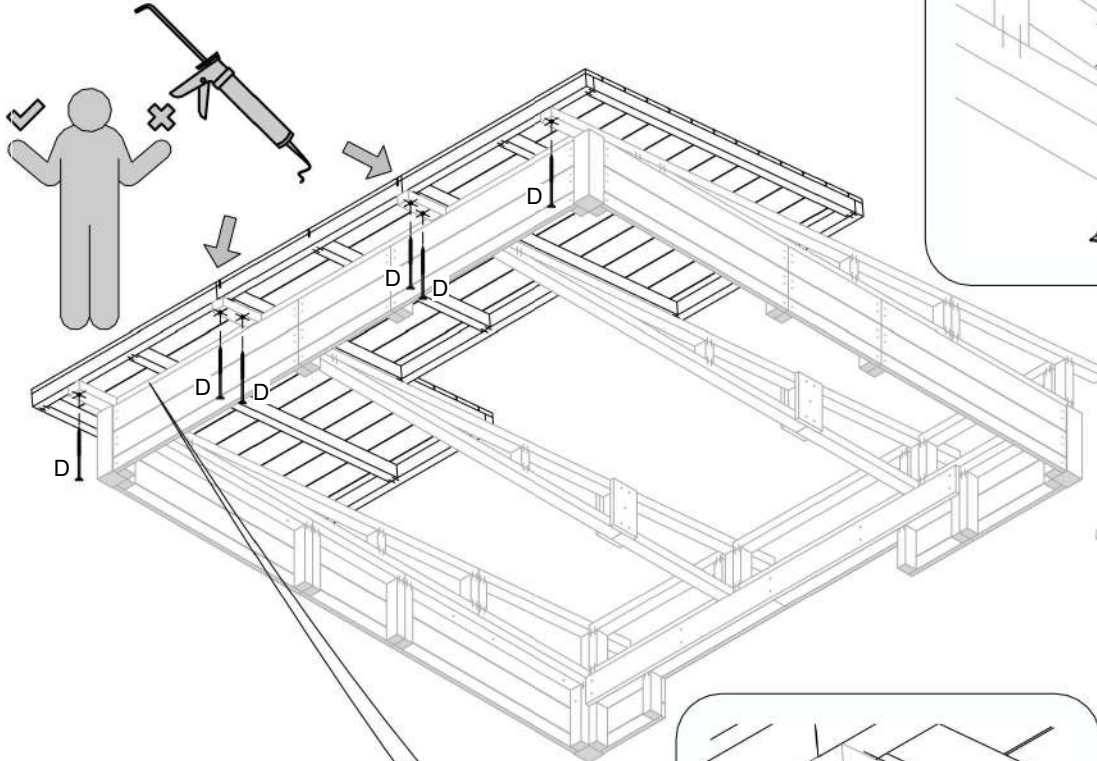
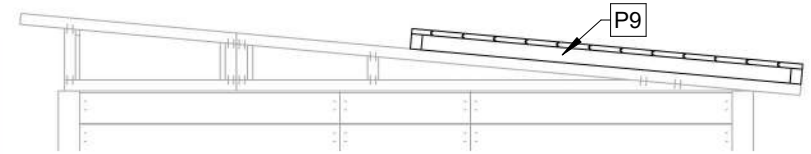
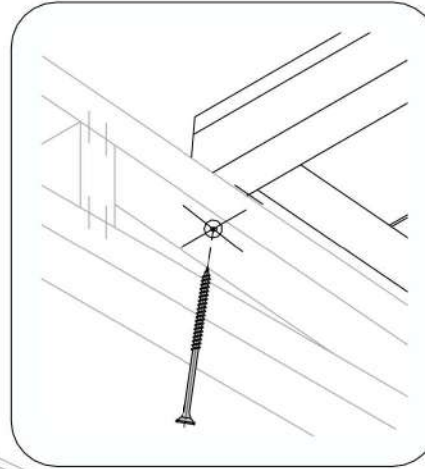
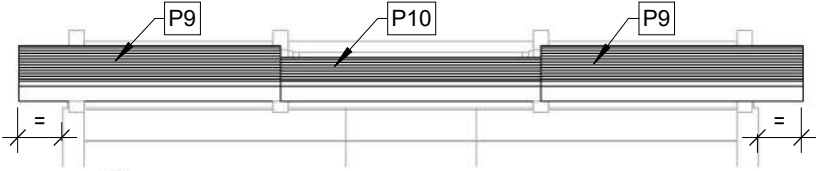


**K16**



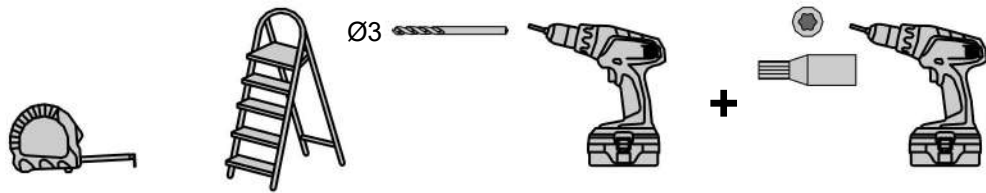
- C**  4x50 x2
- D**  5x70 x12



**upyard™**



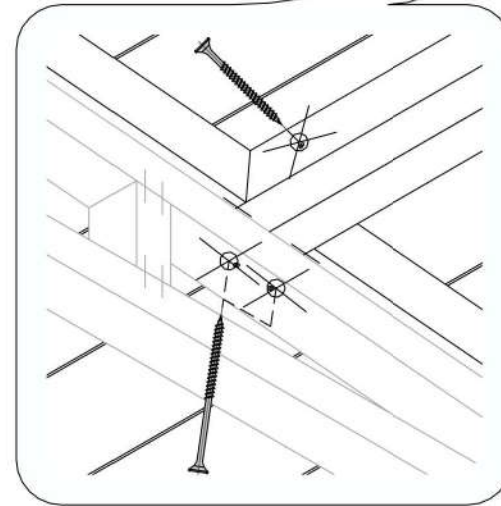
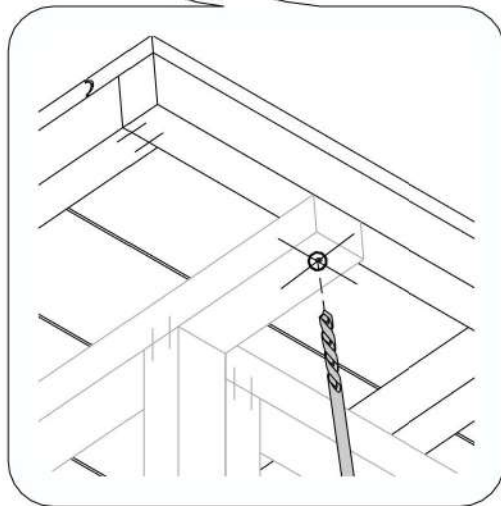
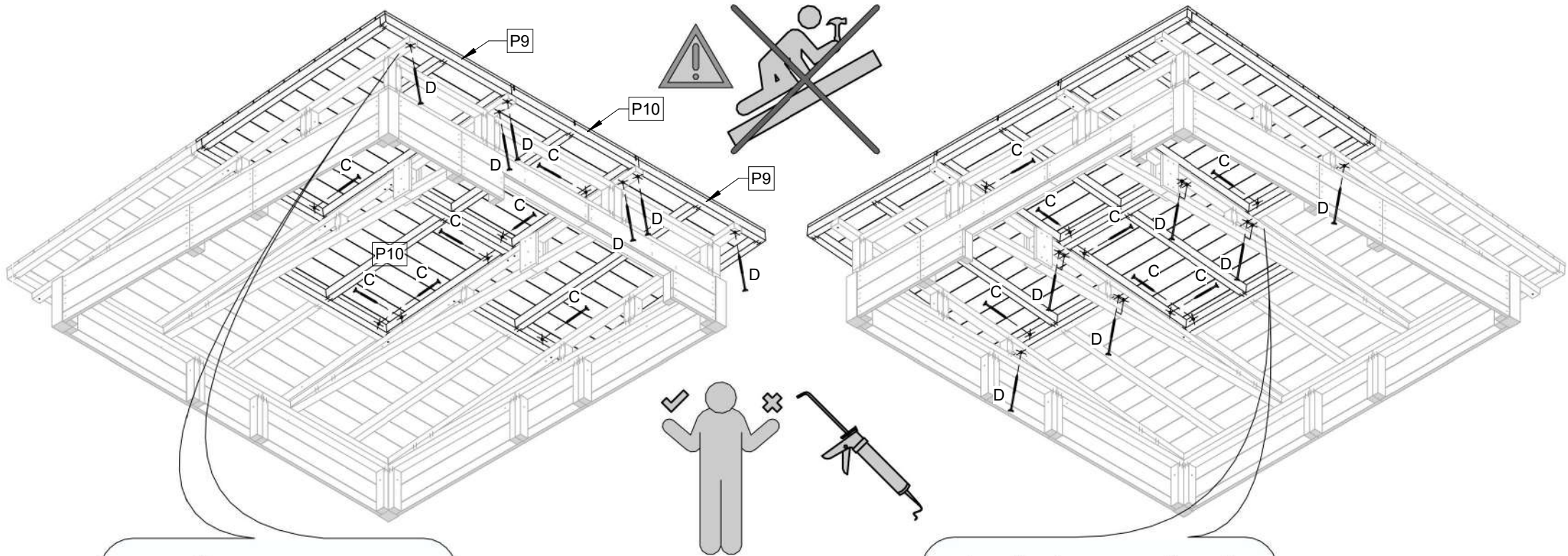
**K17**





- C**  x12  
4x50
- D**  x16  
5x70

**upyard™**



**K18**



Ø3



+



H



Ø4.5x45(PC) x34

J



x2

L



x1

I



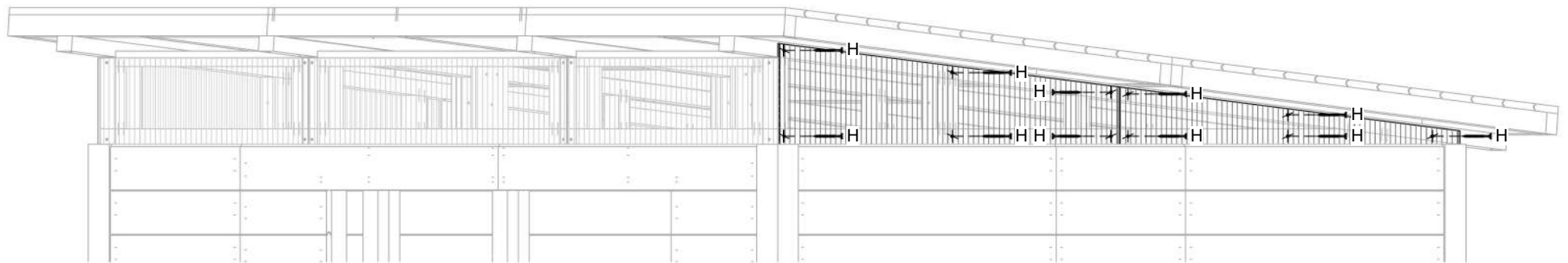
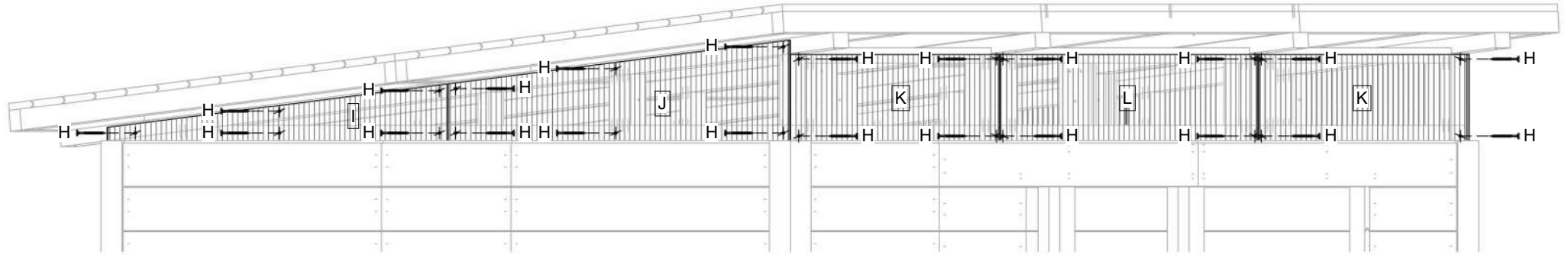
x2

K

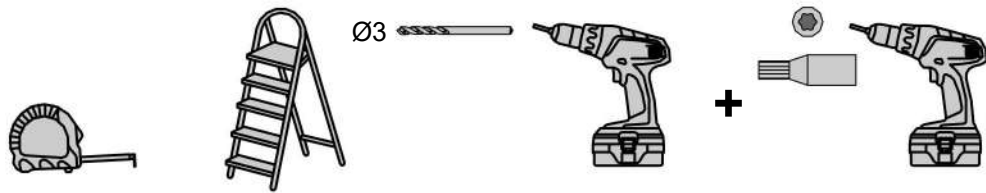


x2

**upyard™**

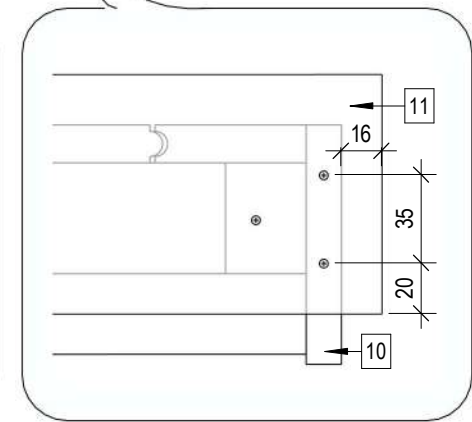
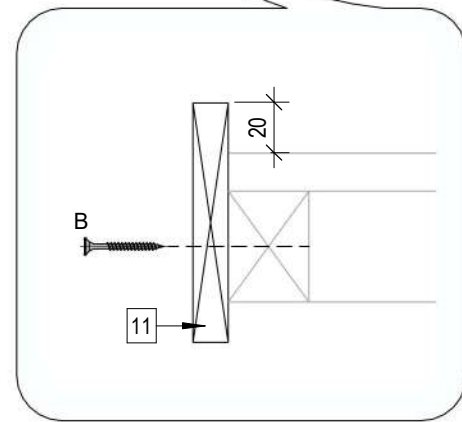
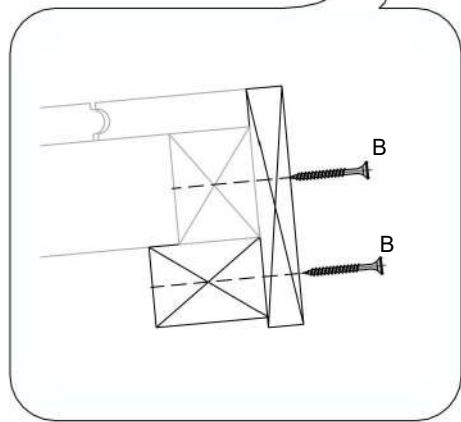
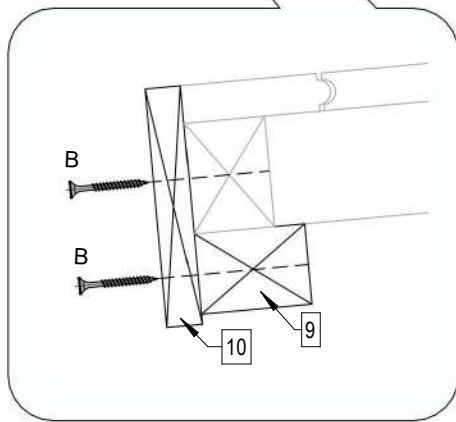
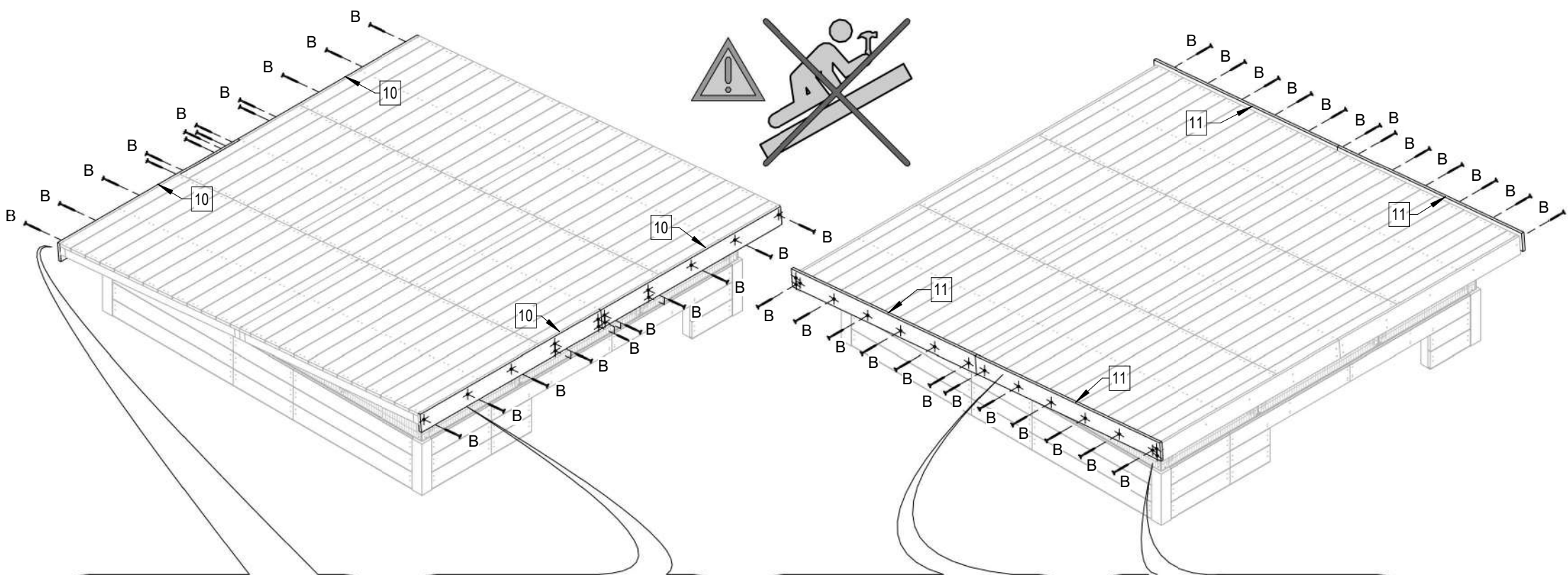


**K19**



B 3.5x35 x60


upyard™



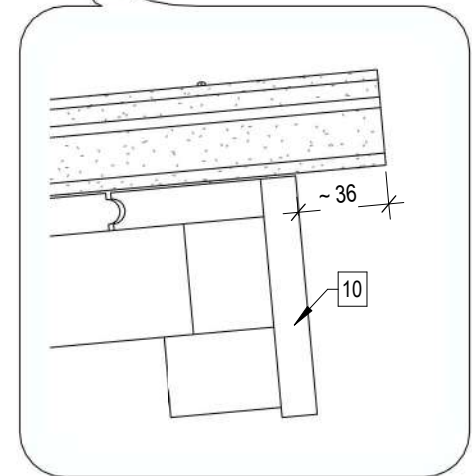
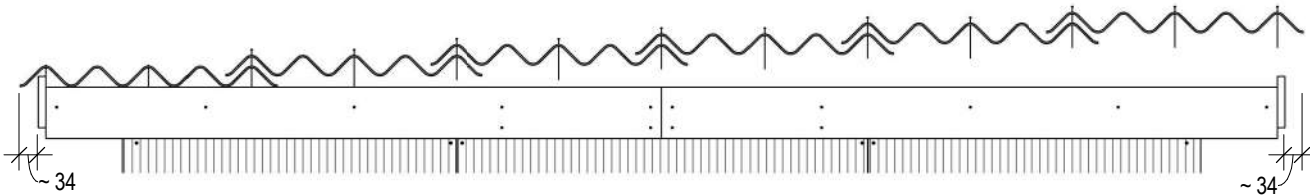
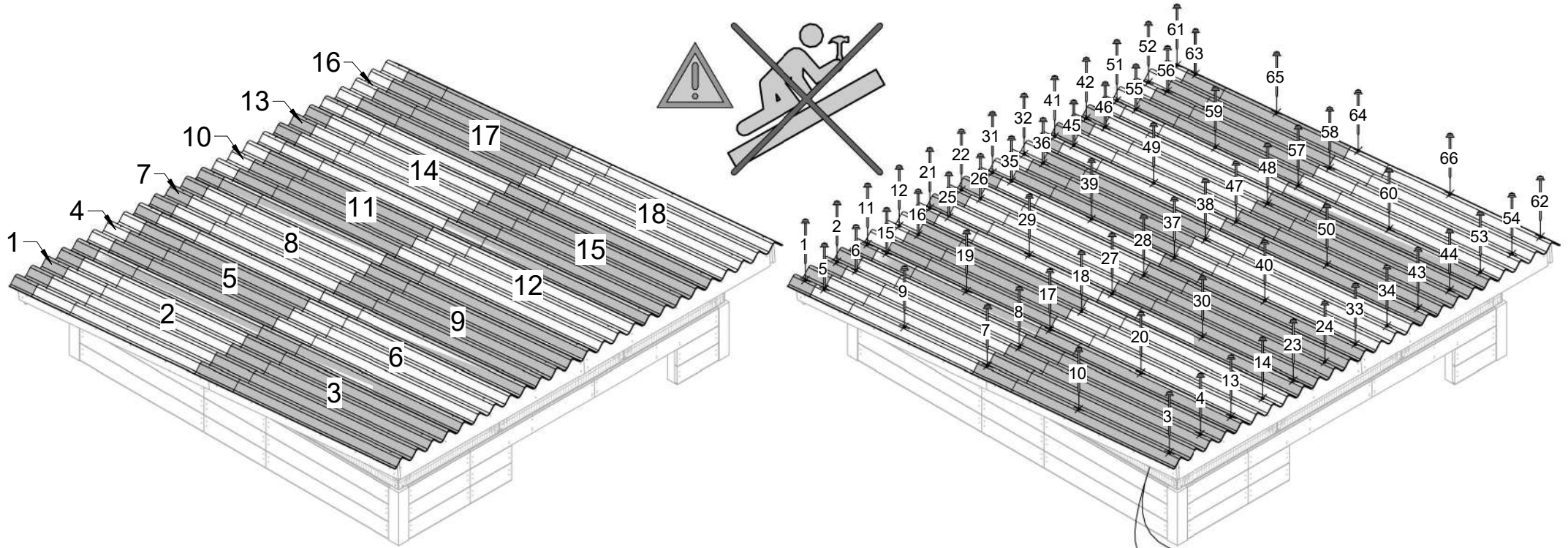
K20



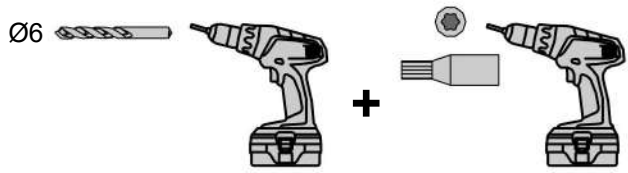



**G**   
3x75 x66

**upyard™**



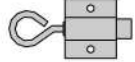
**K21**



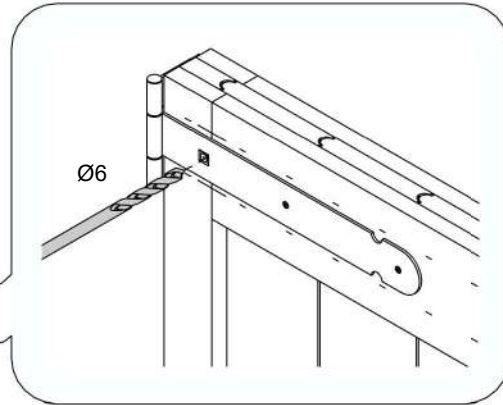
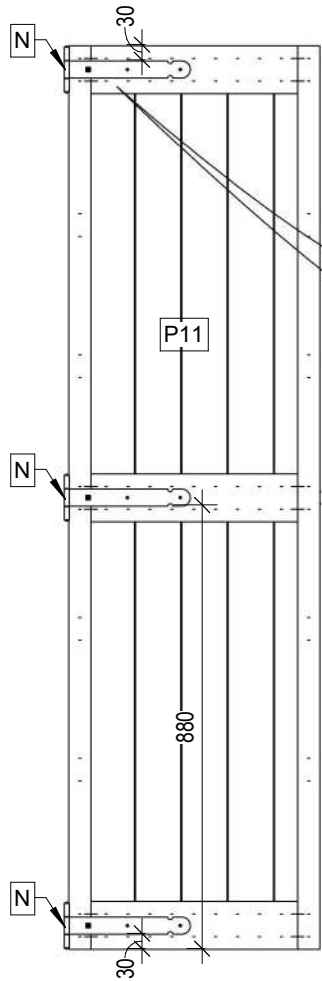
A  3.5x25 x16

F  M6x60 x6

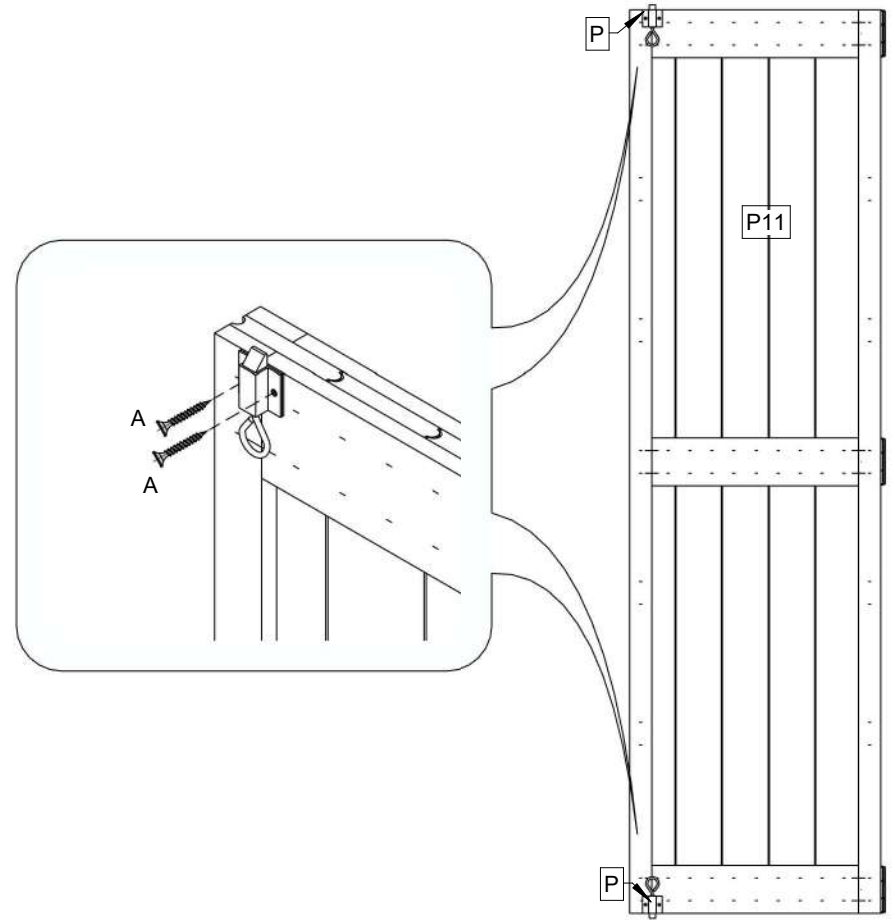
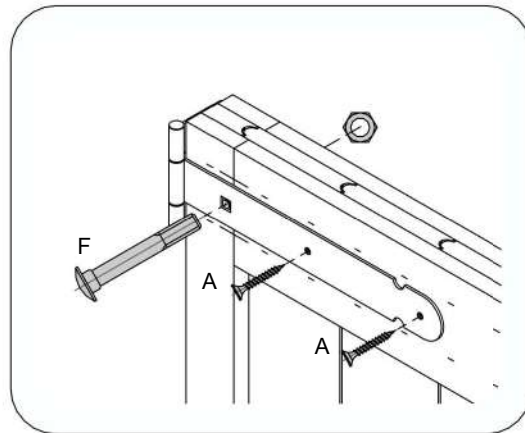
O  x6

Q  x2

**upyard™**

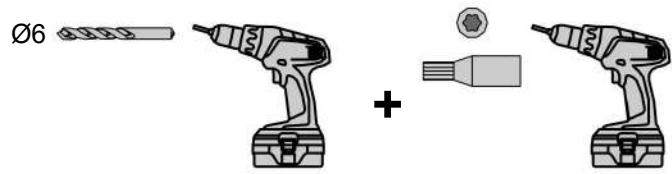


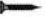

+

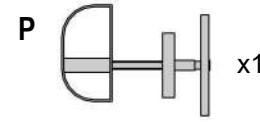


**K22**



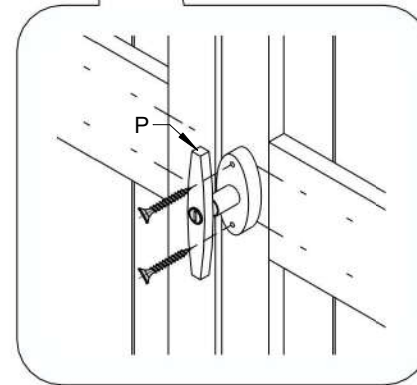
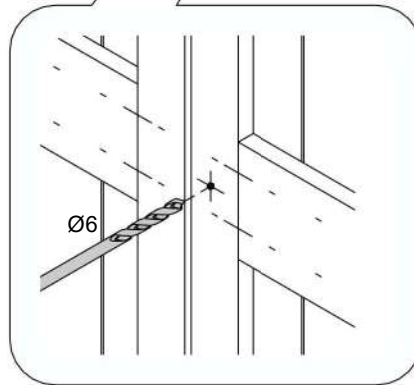
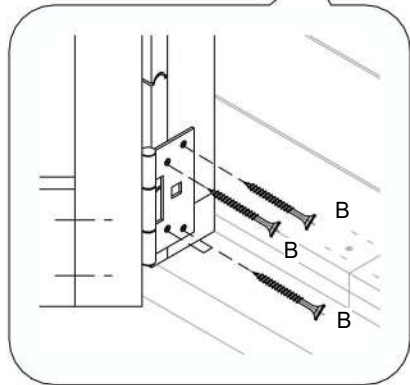
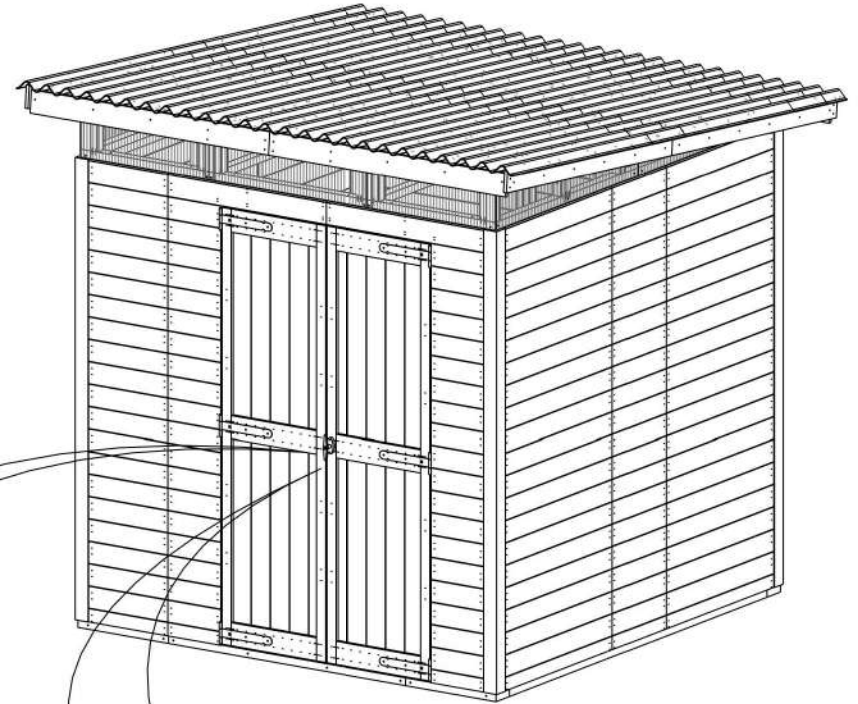
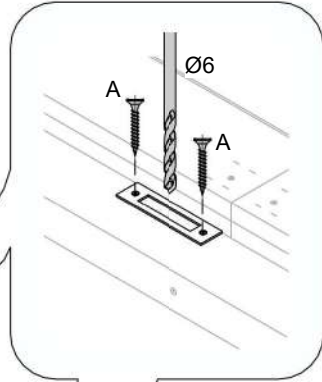
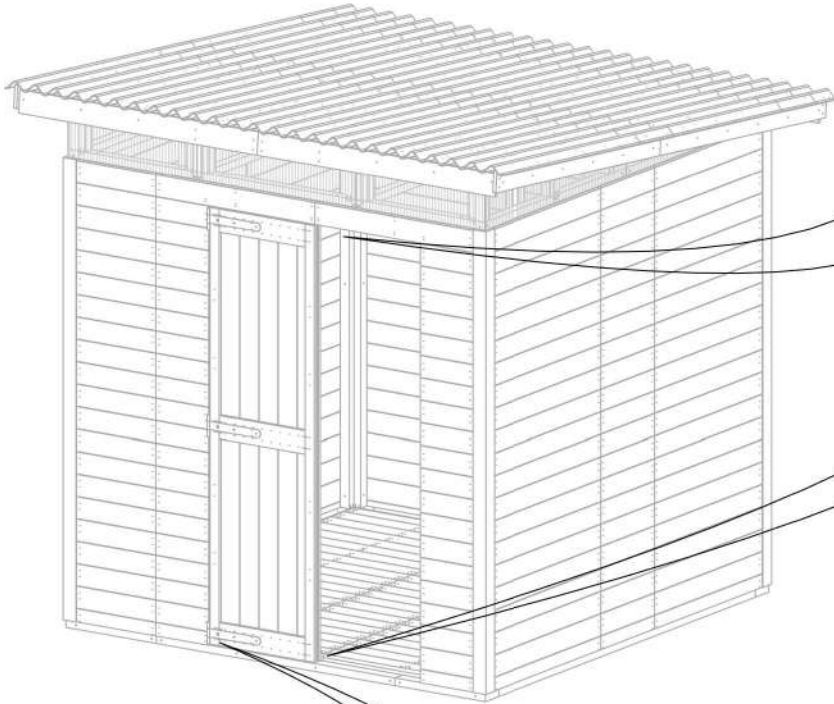


**A**  3.5x25 x4  
**B**  3.5x35 x24



**R**  x2

**upyard™**



**K23**