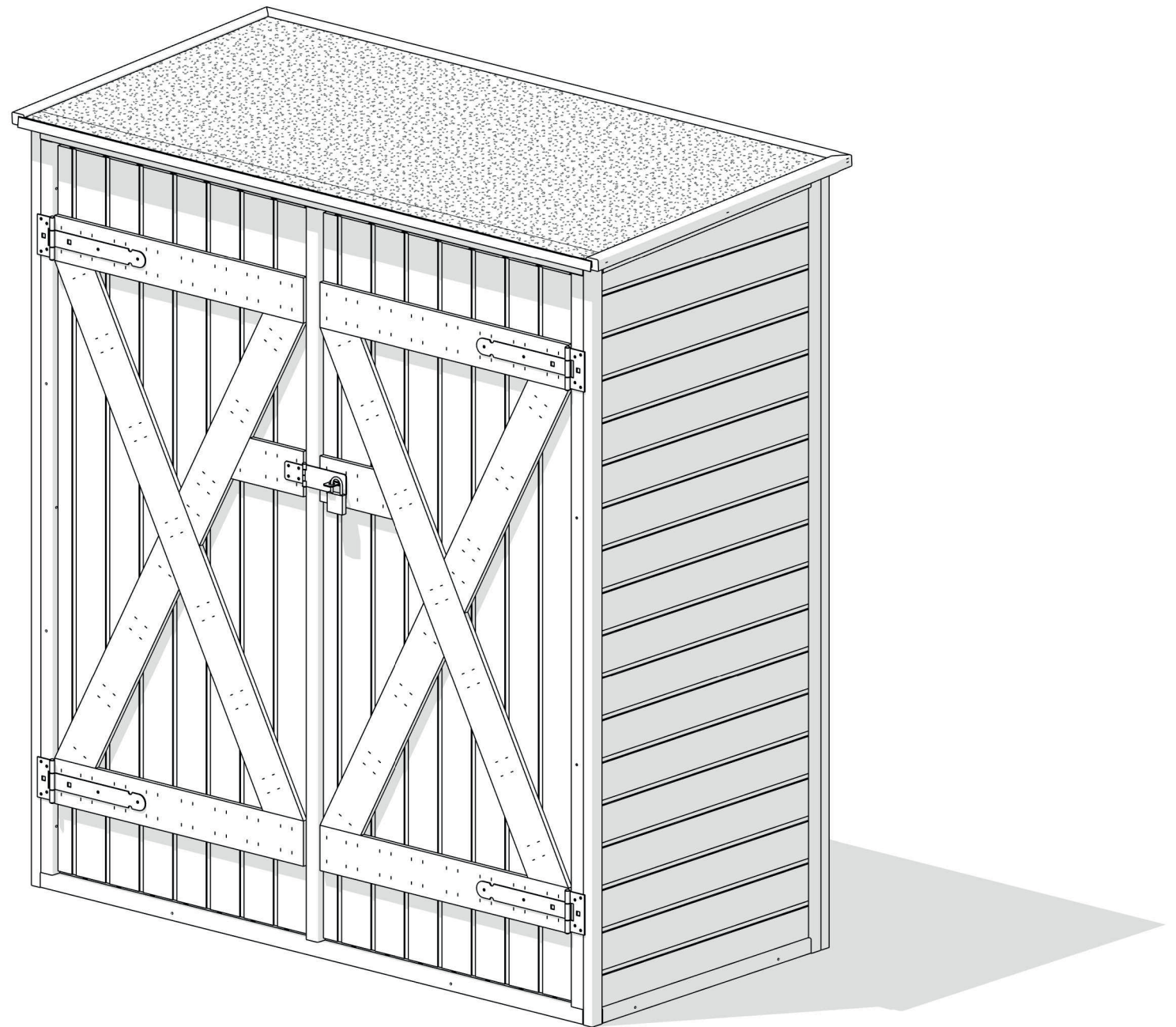
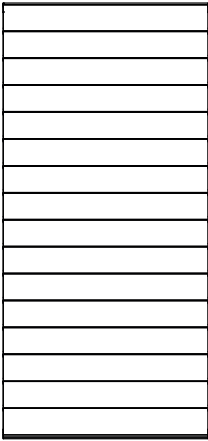


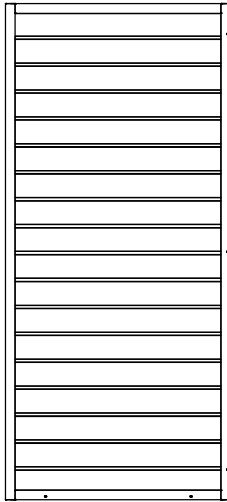
TOOL SHED



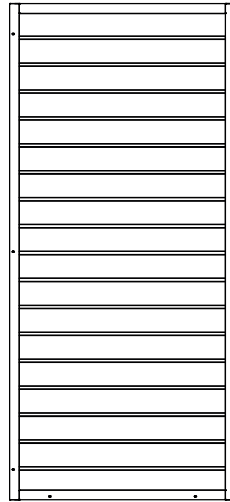
1 - 677 x 1440 x 36
x1



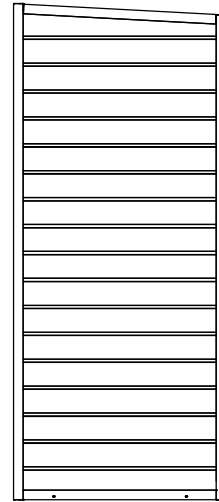
2 - 745 x 1640 x 25
x1



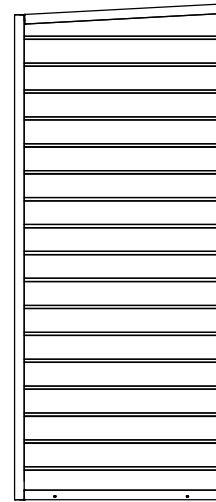
3 - 745 x 1640 x 25
x1



4 - 702 x 1640 x 25
x1



5 - 702 x 1640 x 25
x1



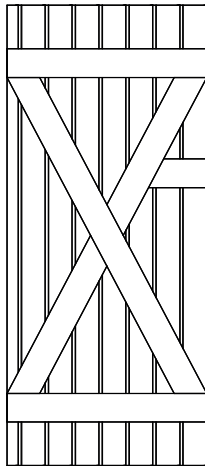
6 - 648 x 714 x 21
x2



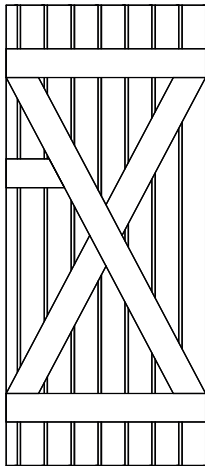
7 - 70 x 1538 x 36
x1



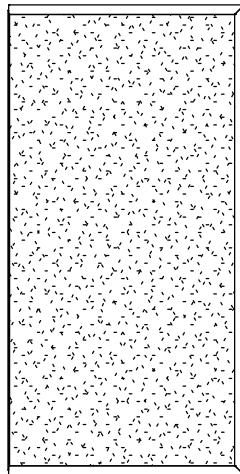
8 - 660 x 1522 x 21
x1



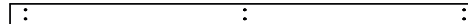
9 - 660 x 1522 x 21
x1



10 - 785 x 1556 x 44
x1



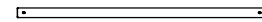
11 - 70 x 1550 x 11
x1



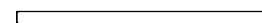
12 - 25 x 32 x 70
x4



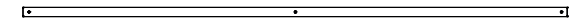
13 - 25 x 32 x 656
x2



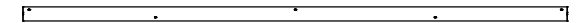
14 - 25 x 32 x 677
x2



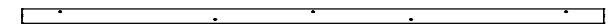
15 - 25 x 32 x 1440
x1



16 - 25 x 32 x 1440
x1



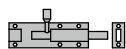
17 - 25 x 32 x 1538
x2



A - Ø4x50
x48



G
x1



B - Ø3.5x25
x60



H
x1



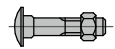
C - Ø3.5x16
x34



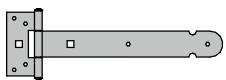
I
x1



D* - Ø7x40
x8



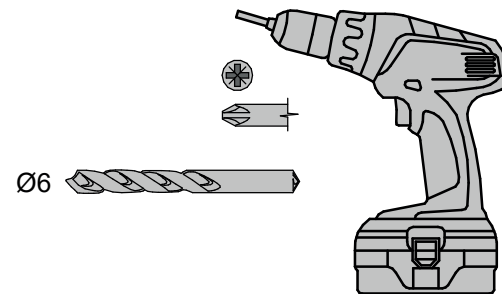
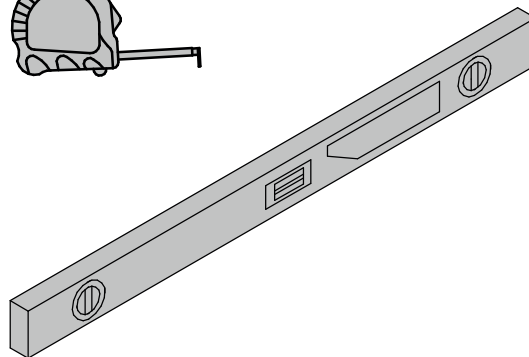
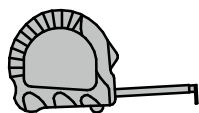
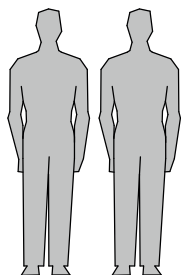
E
x4

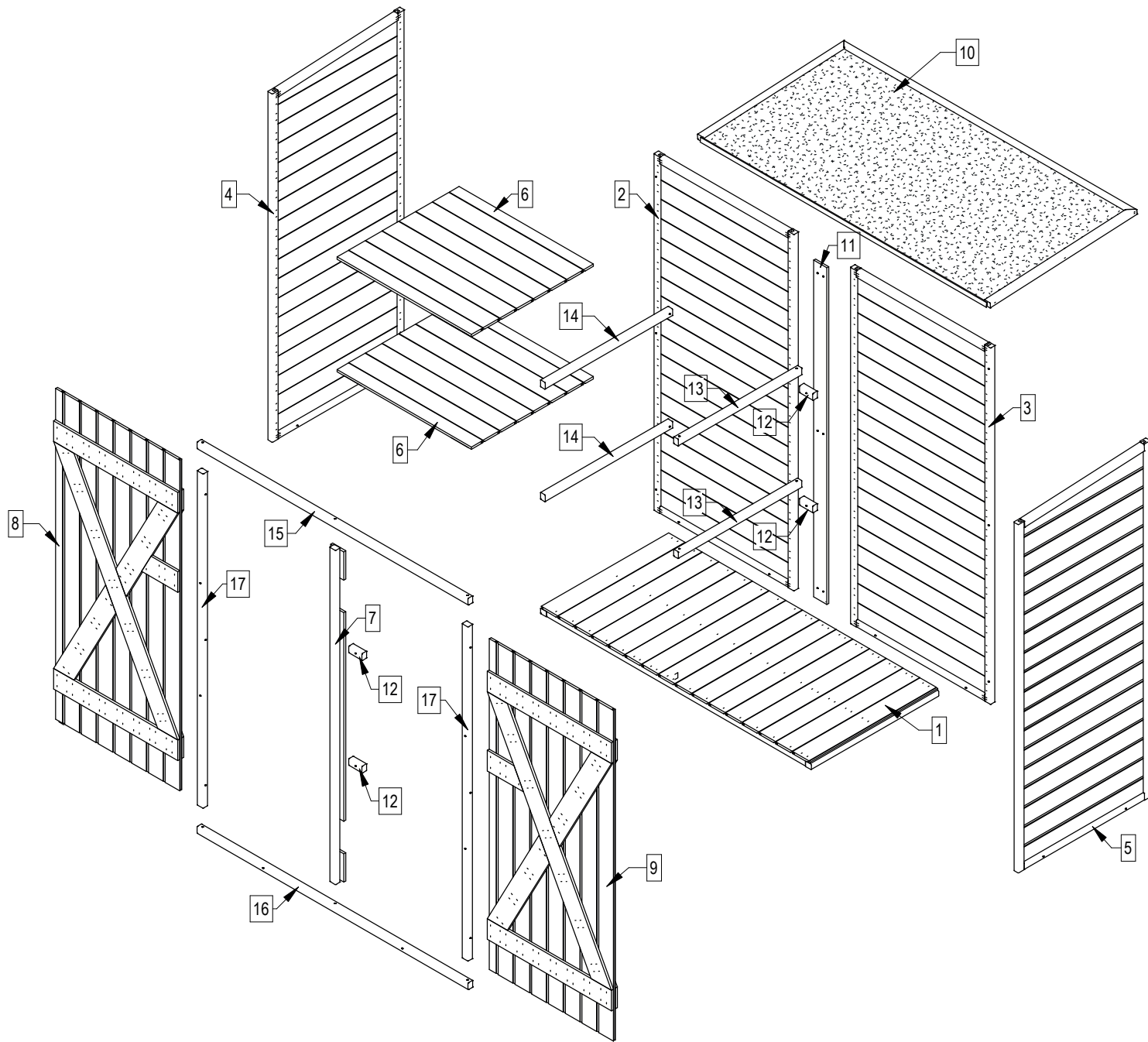


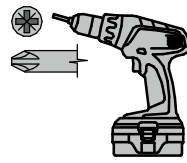
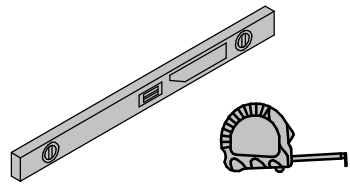
F
x1




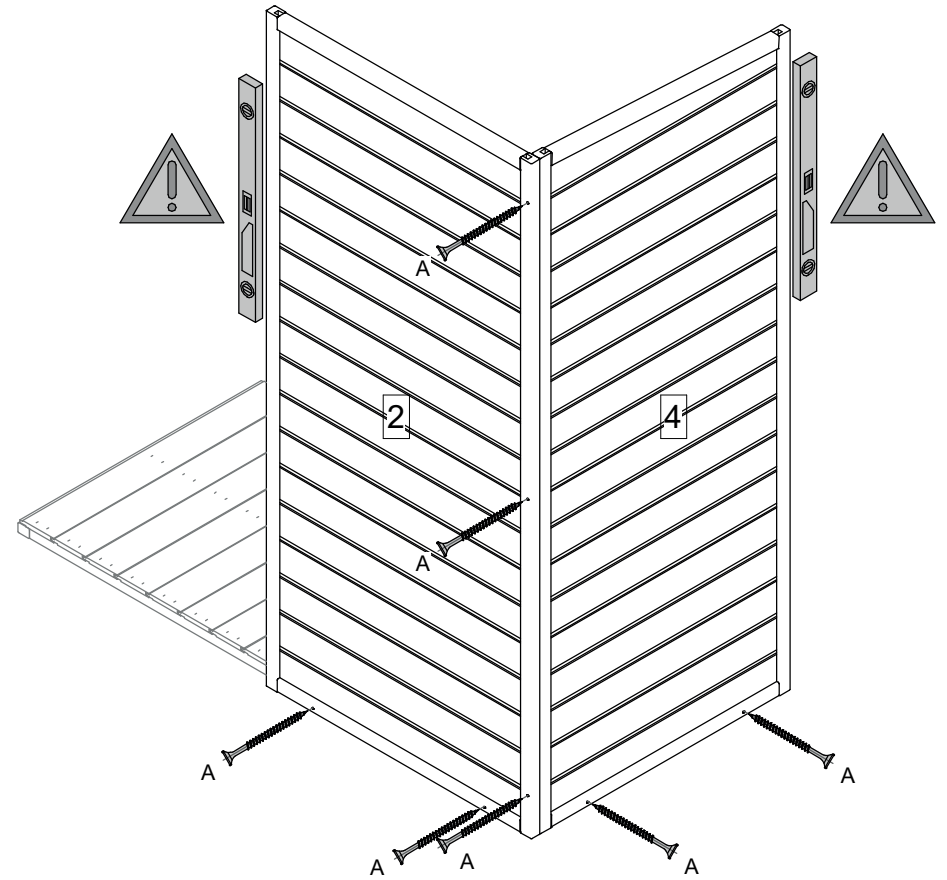
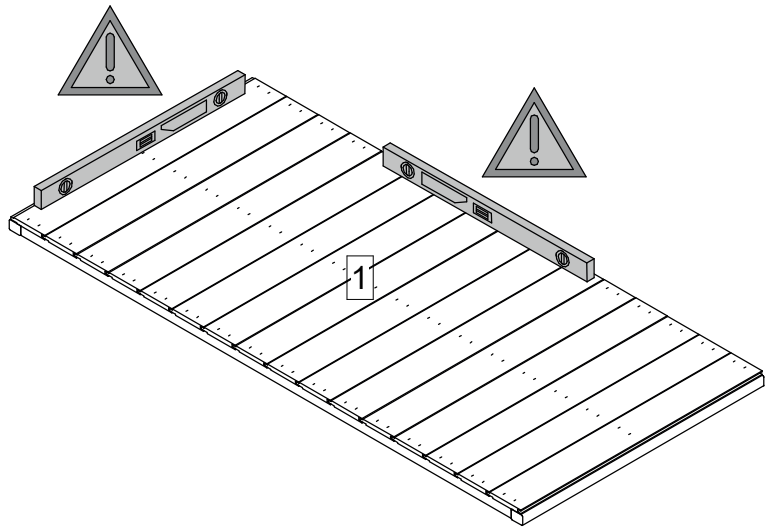
*DEPENDING ON CONFIGURATION



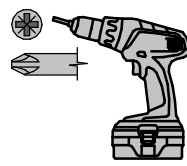
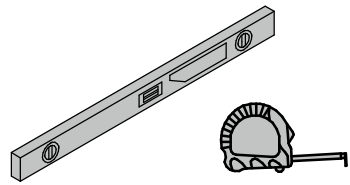






A 
4x50 x7

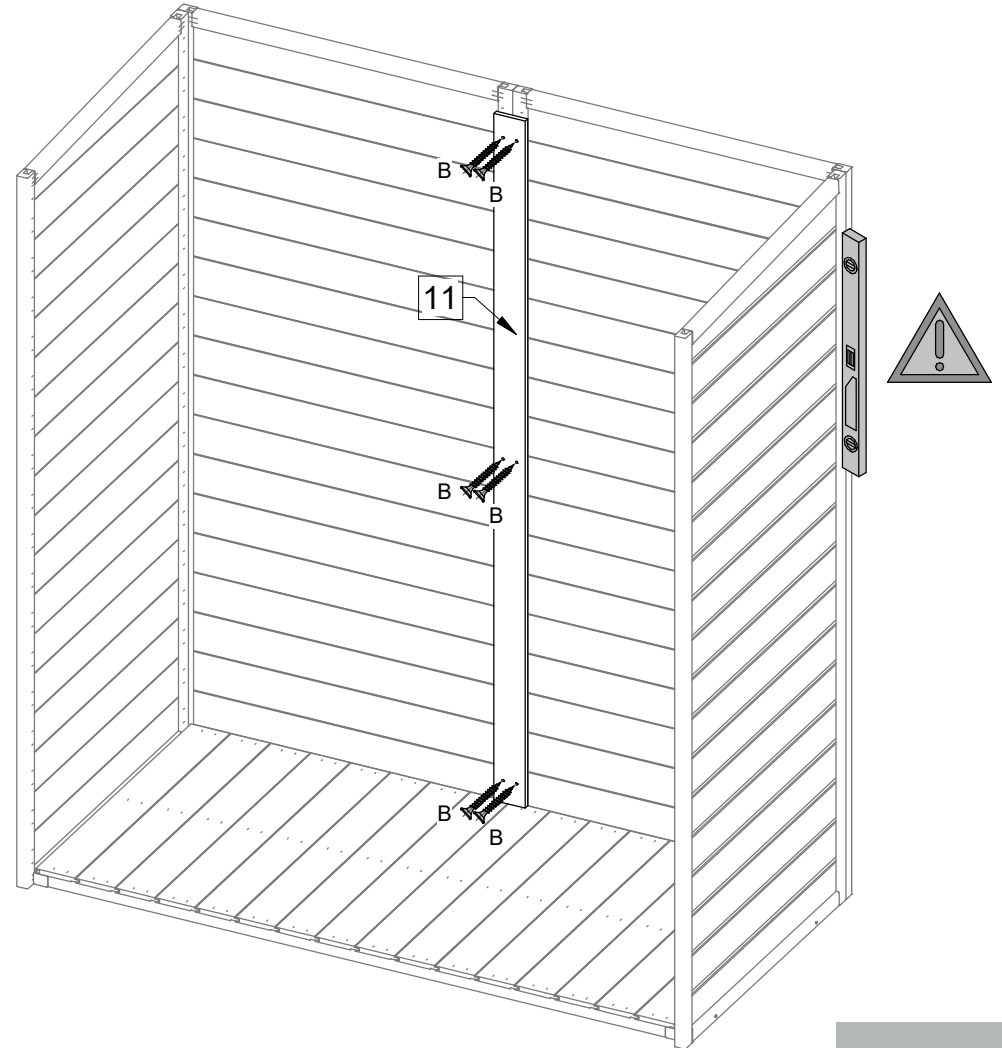
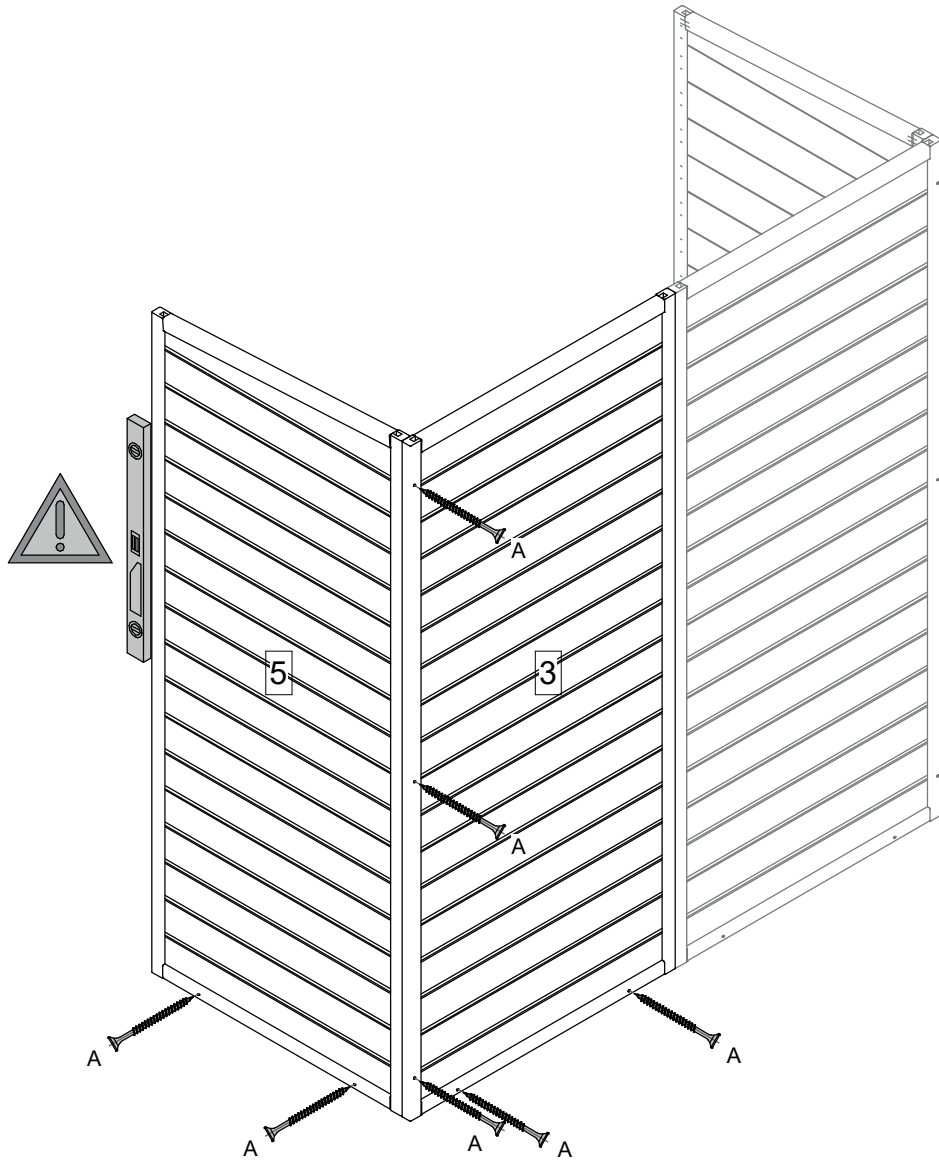


K4

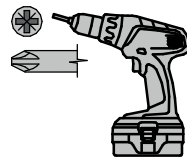
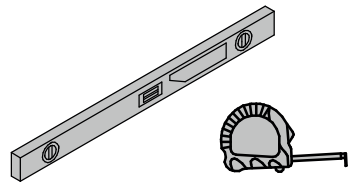



A  4x50 x7

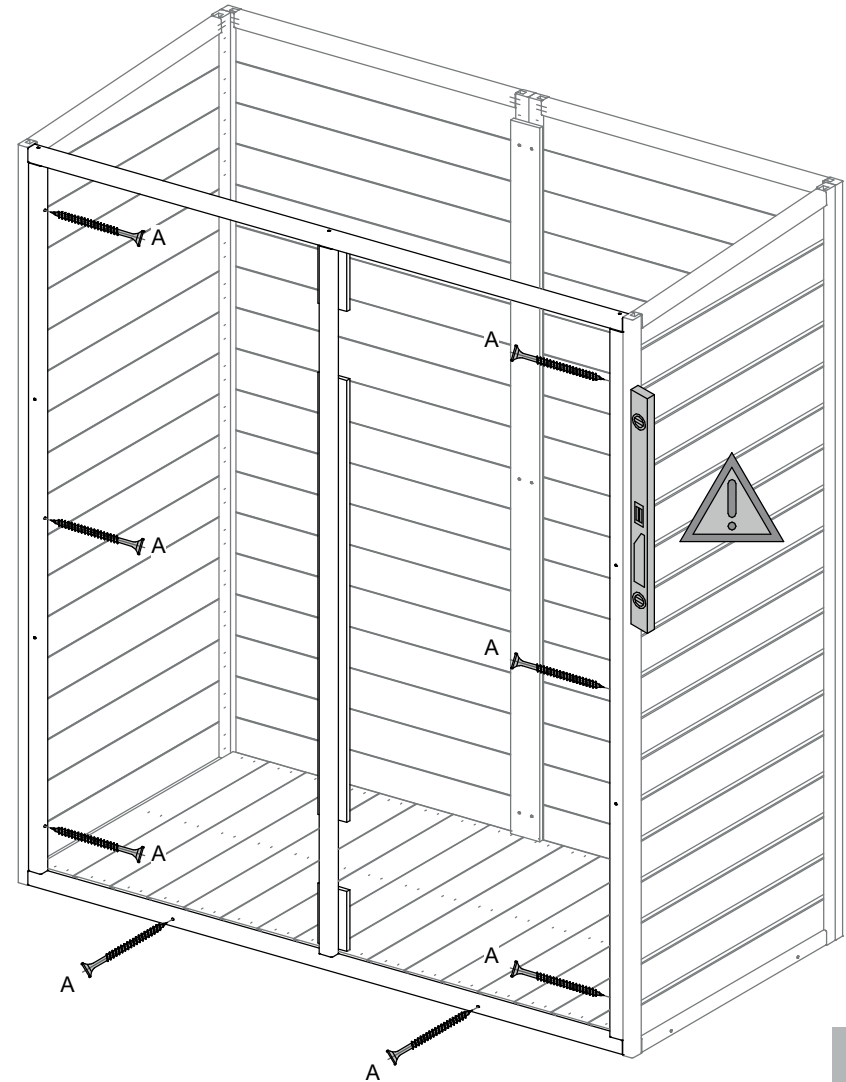
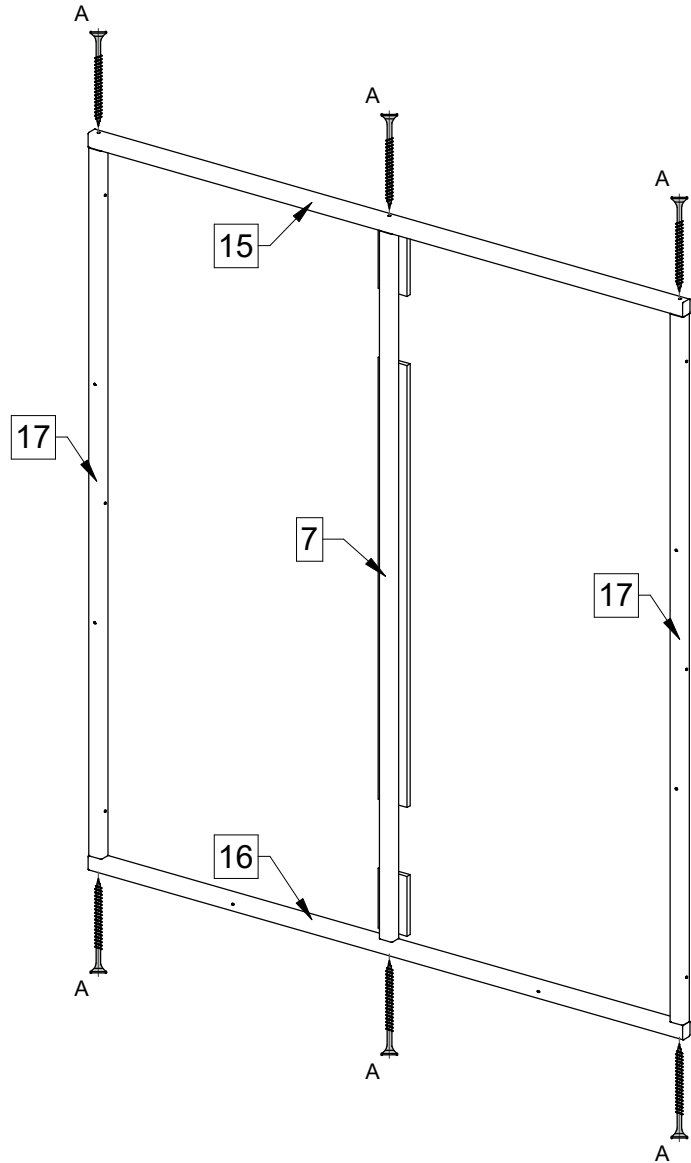
B  3.5x25 x6



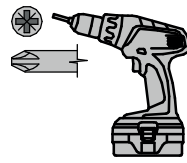
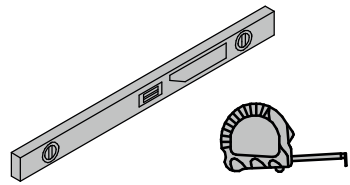
K5




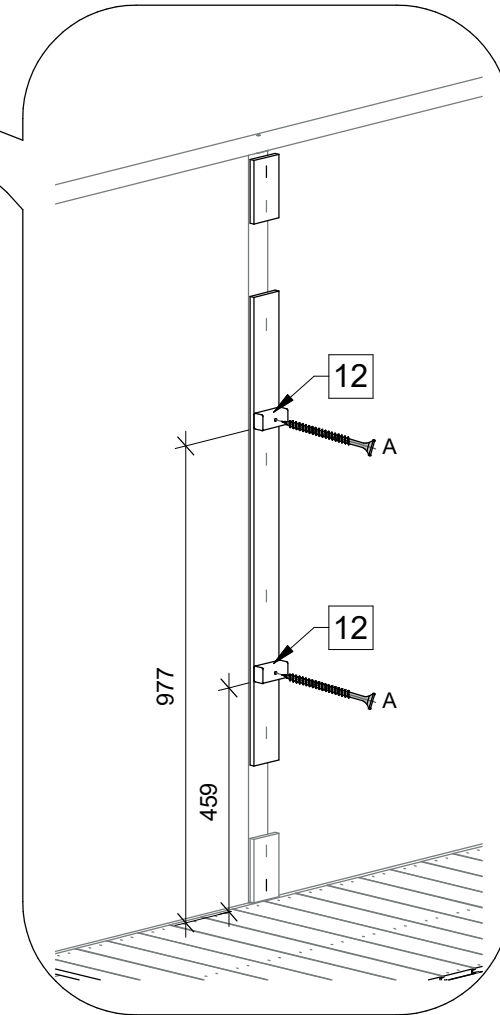
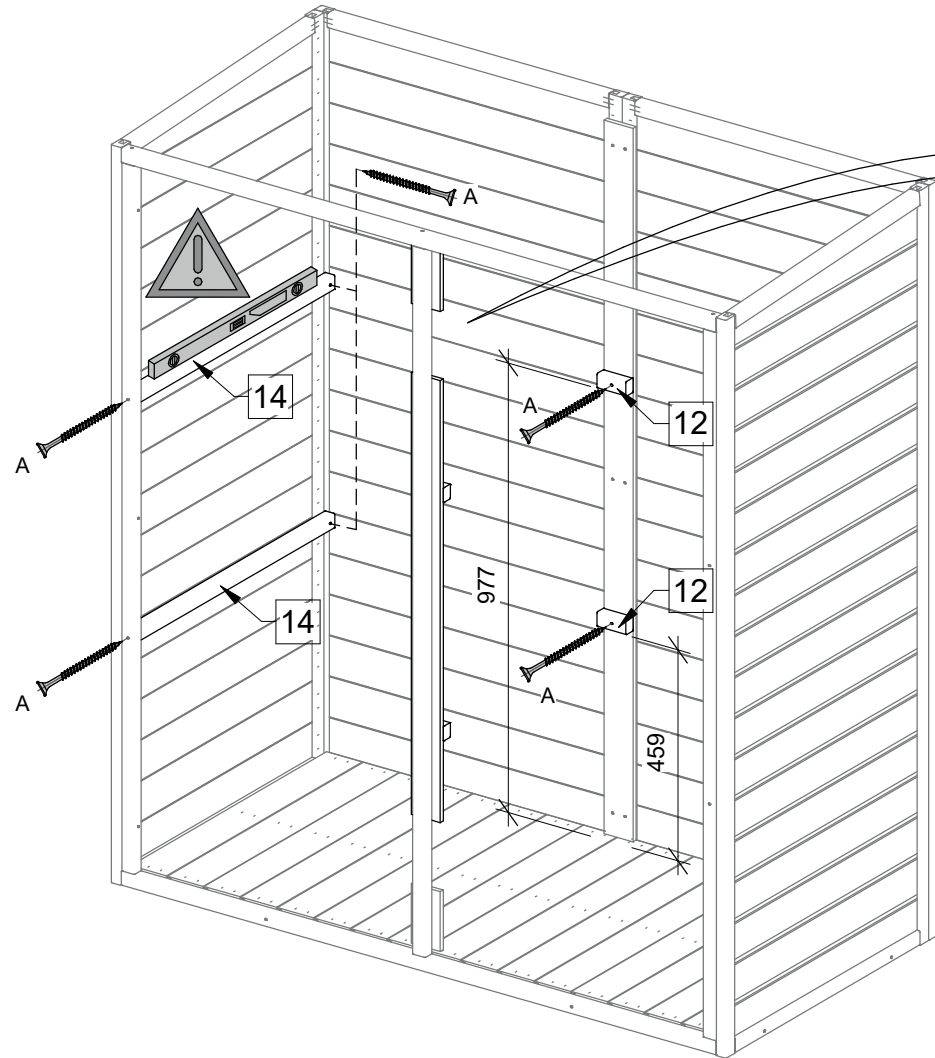
A  4x50 x14



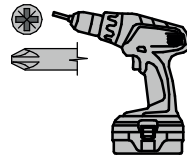
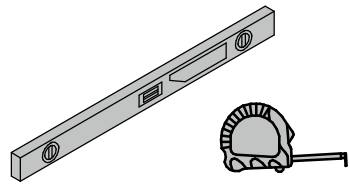
K6




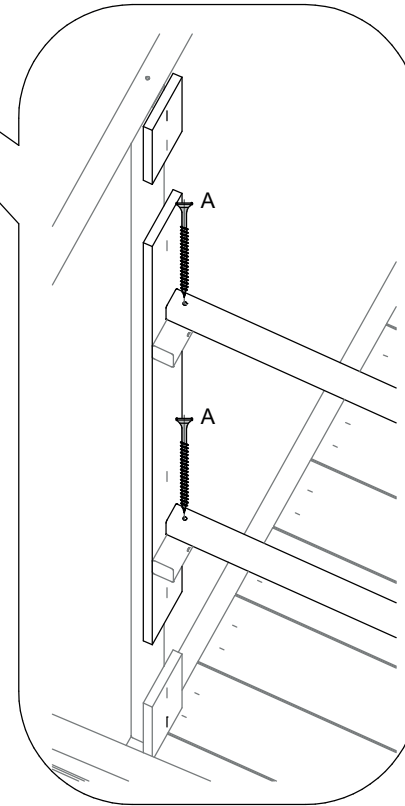
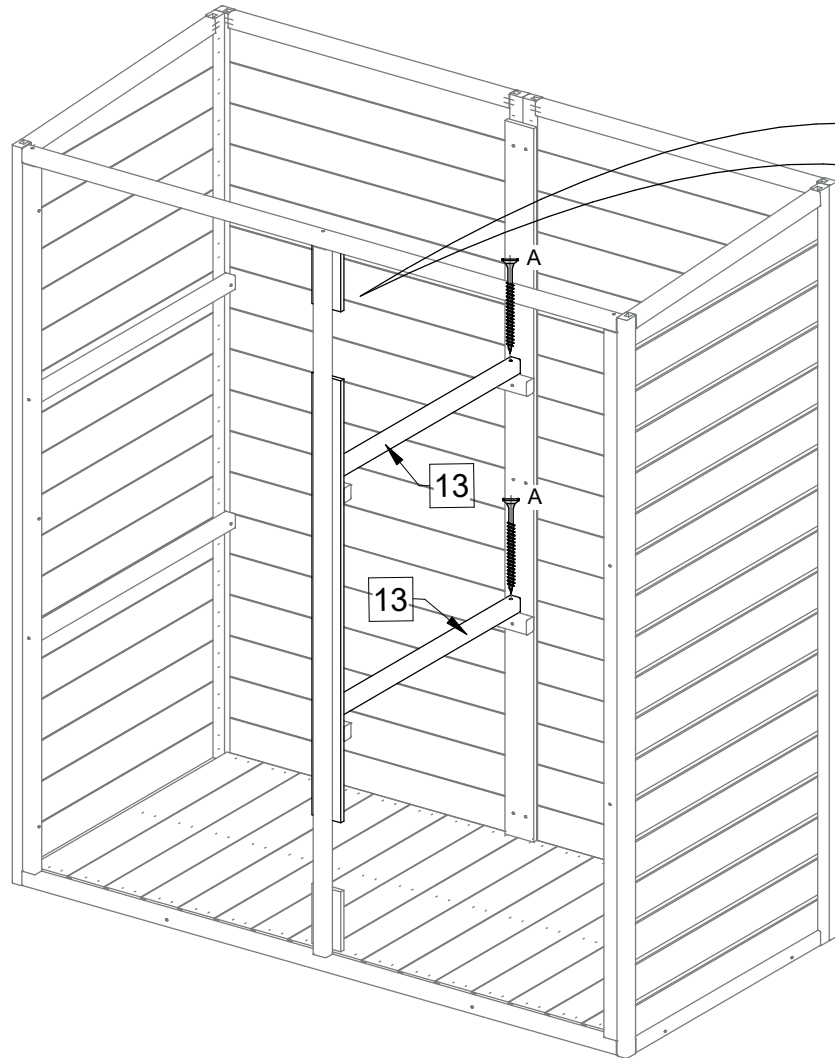
A 
4x50 x8

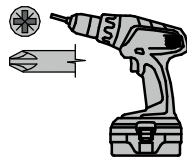


K7

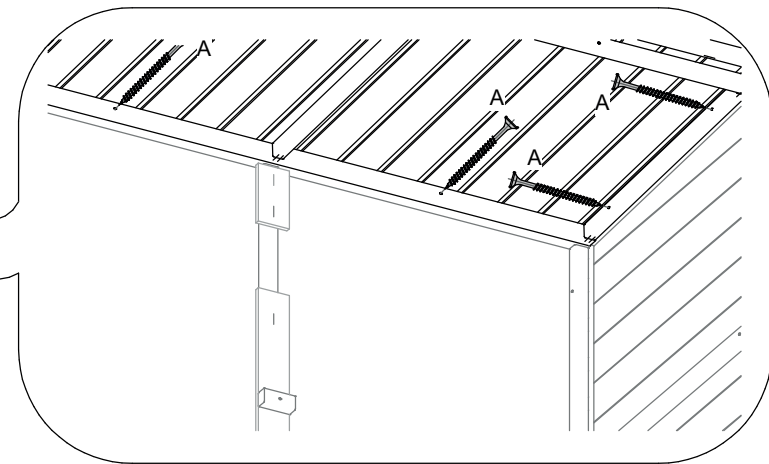
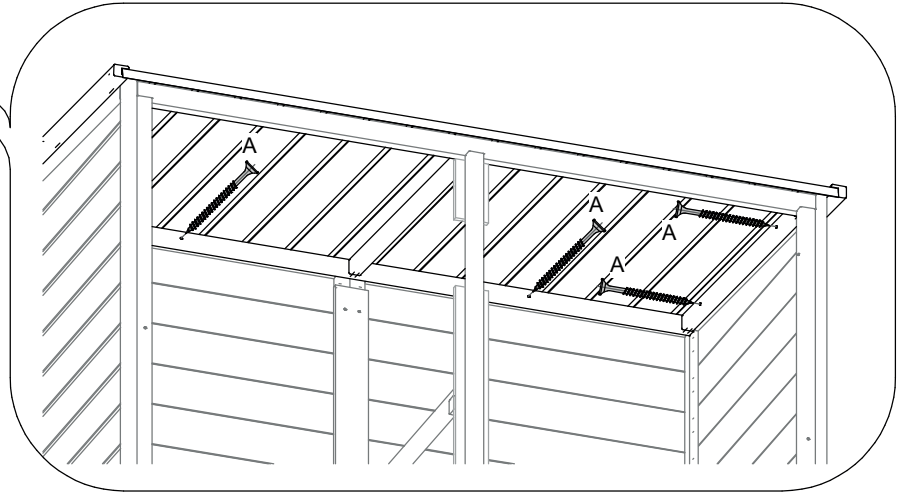
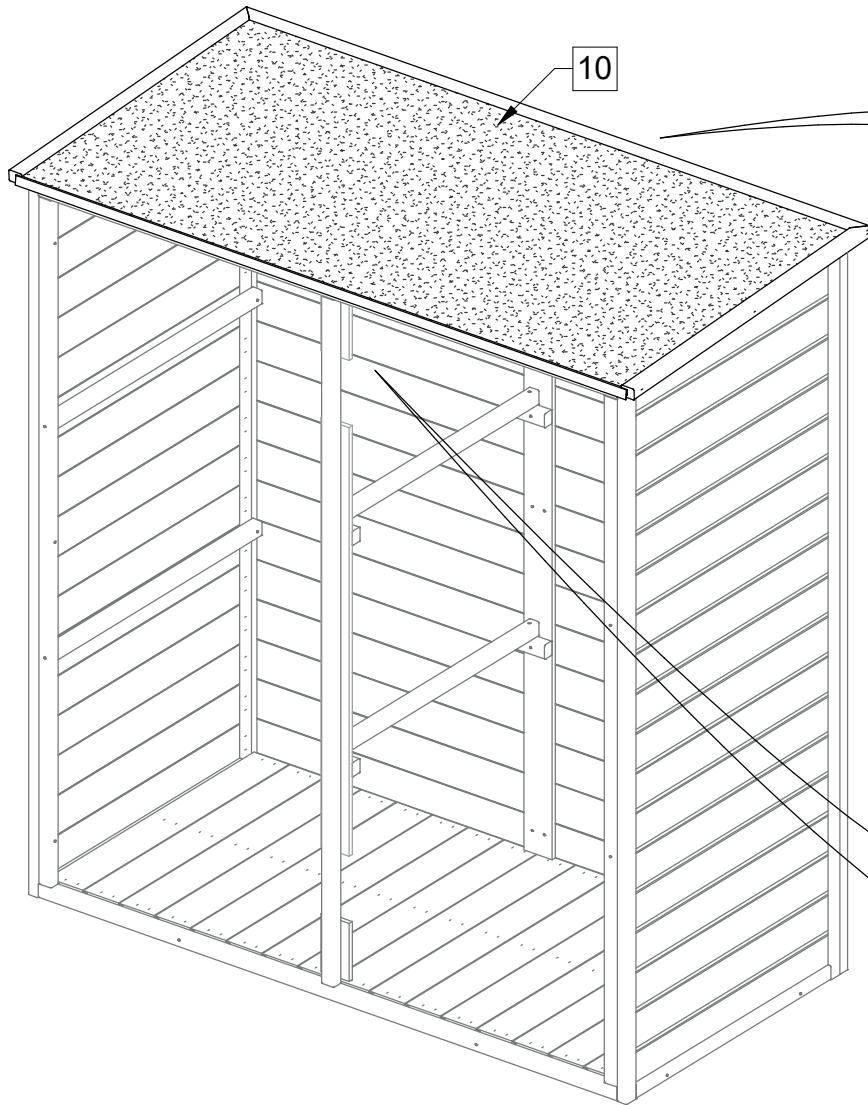


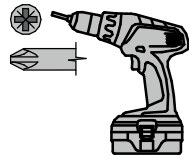
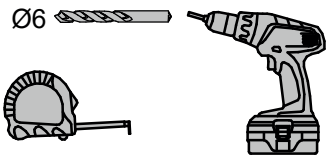
A 
4x50 x4





A
4x50 x8

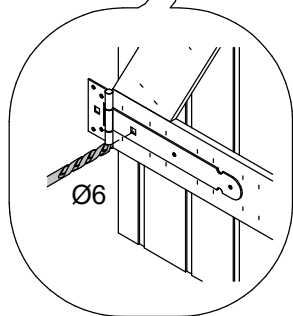
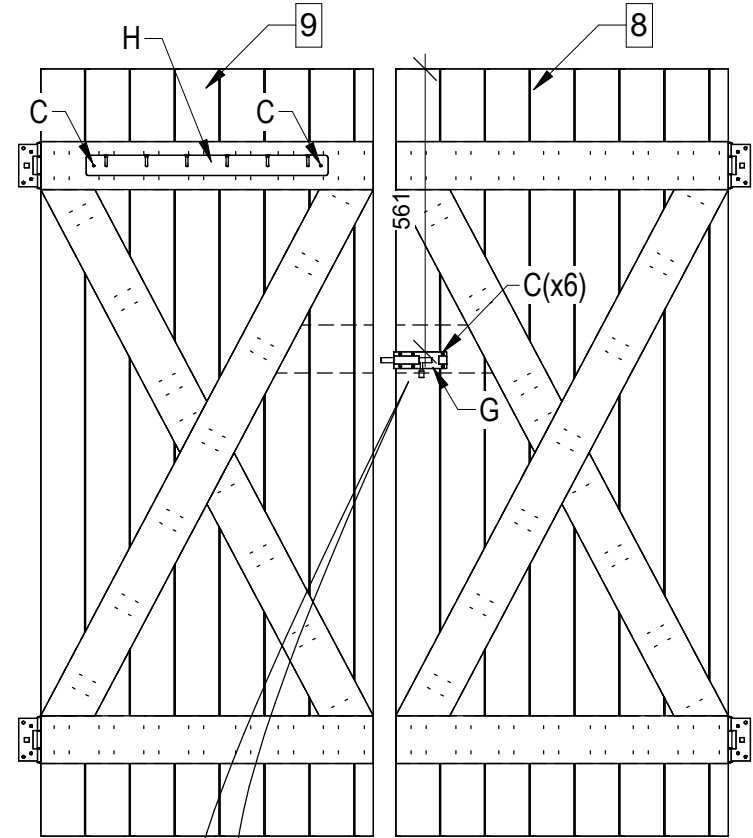
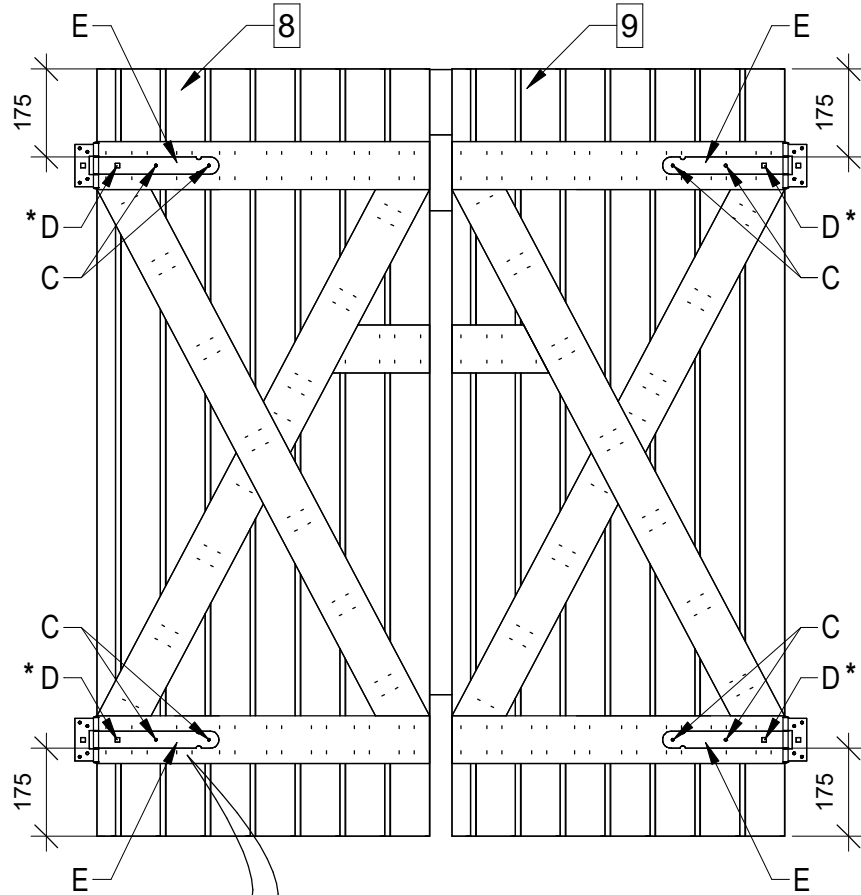




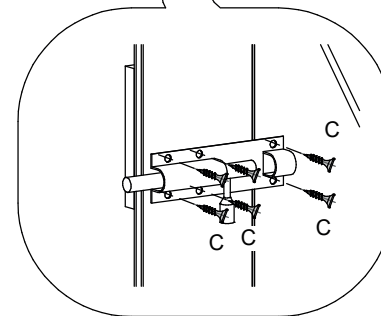
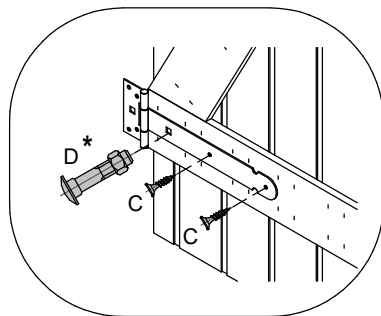
C 3.5x16 x16
D* 7x40 x4

E x4
G x1

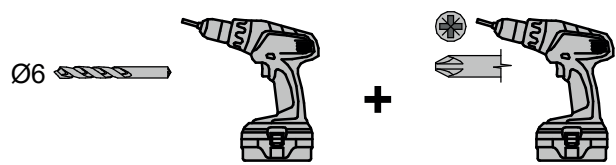
H x1
 *DEPENDING ON CONFIGURATION






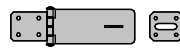
+



K10

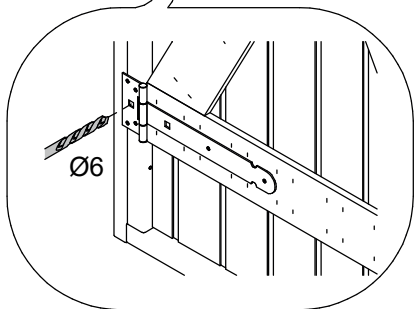
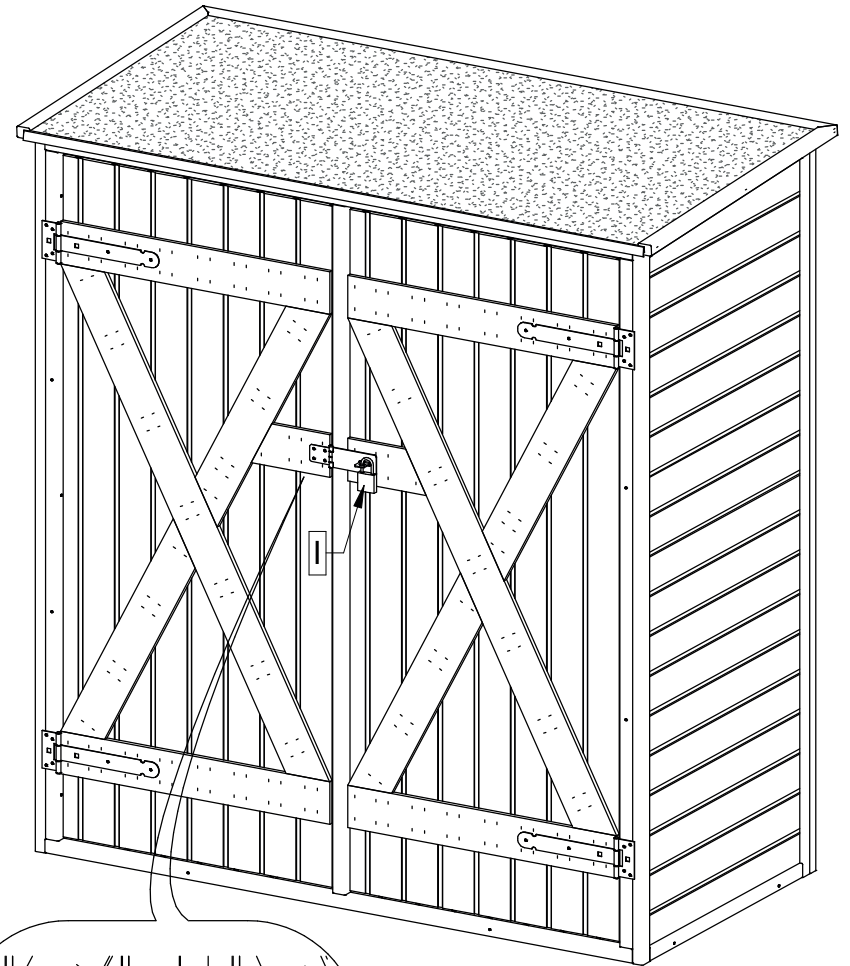
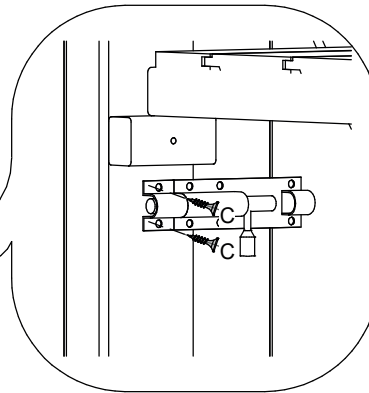
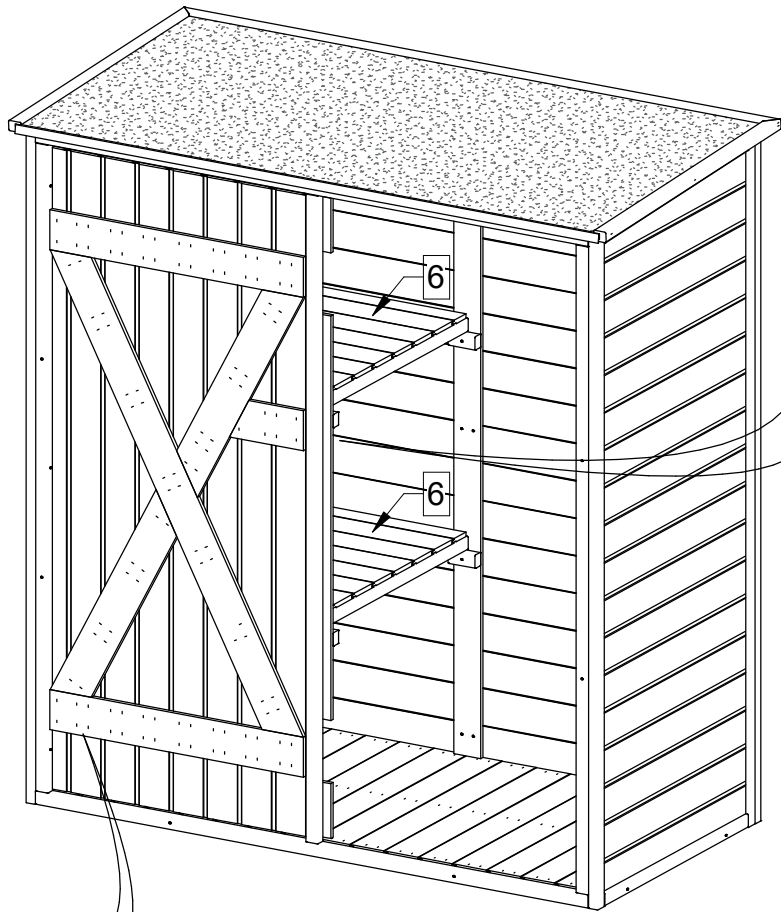


B  3.5x25 x16
C  3.5x16 x10

D*  7x40 x4
F  x1

I  x1

*DEPENDENT ON CONFIGURATION



+

